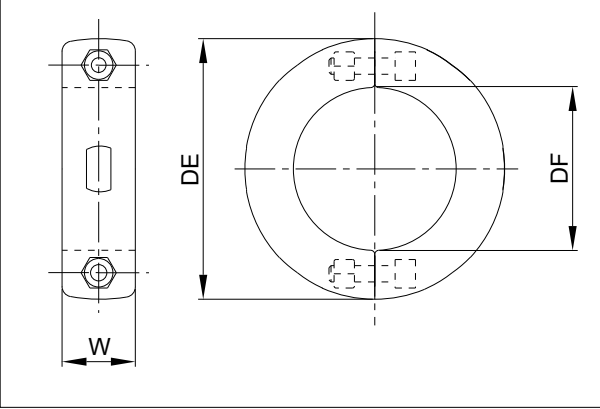
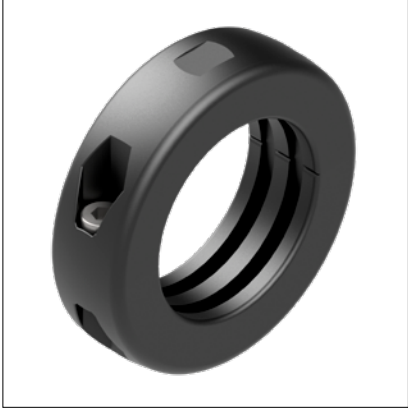




Components uni Retainer Rings



Retainer Ring
 Material: Reinforced Polyamide
 Colour: Black
 Shaft Shape: Round
 Sprocket type: Idler
 Bolts and nuts: Stainless-Steel

Standard shipping:
 Available in sets of 4 rings and sets of 20 rings.

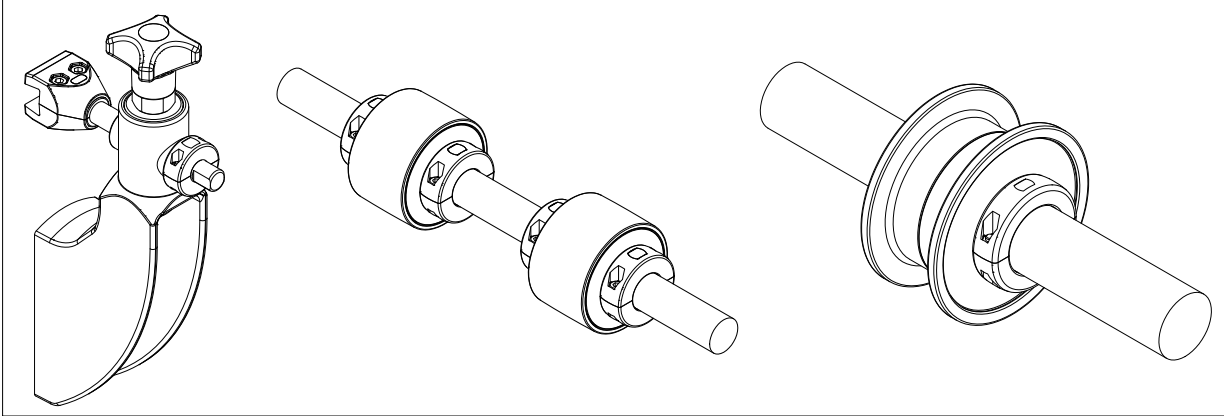
STANDARD

Ref.	Inside Diameter (DF)		Outside Diameter (DE)		W		Material & color	Weight	
	mm	in	mm	in	mm	in		kg	lb/ft
95PA6GFRD10MMKB	10	0.39	30	1.18	12	0.47	PA6-GF K	0.01	0.02
95PA6GFRD12MMKB	12	0.47	30	1.18	12	0.47	PA6-GF K	0.01	0.02
95PA6GFRD14MMKB	14	0.55	30	1.18	12	0.47	PA6-GF K	0.01	0.02
95PA6GFRD15MMKB	15	0.59	39	1.54	14	0.55	PA6-GF K	0.02	0.04
95PA6GFRD16MMKB	16	0.63	39	1.54	14	0.55	PA6-GF K	0.02	0.04
95PA6GFRD18MMKB	18	0.71	39	1.54	14	0.55	PA6-GF K	0.02	0.04
95PA6GFRD20MMKB	20	0.79	40	1.57	14	0.55	PA6-GF K	0.02	0.04
95PA6GFRD25MMKB	25	0.98	45	1.77	14	0.55	PA6-GF K	0.02	0.04
95PA6GFRD30MMKB	30	1.18	55	2.17	16	0.63	PA6-GF K	0.03	0.06
95PA6GFRD35MMKB	35	1.38	60	2.36	16	0.63	PA6-GF K	0.03	0.06
95PA6GFRD40MMKB	40	1.57	64	2.52	18	0.71	PA6-GF K	0.04	0.08

COMPONENTS

Use a sprocket size that ensures the belt or chain does not conflict with the retainer ring.

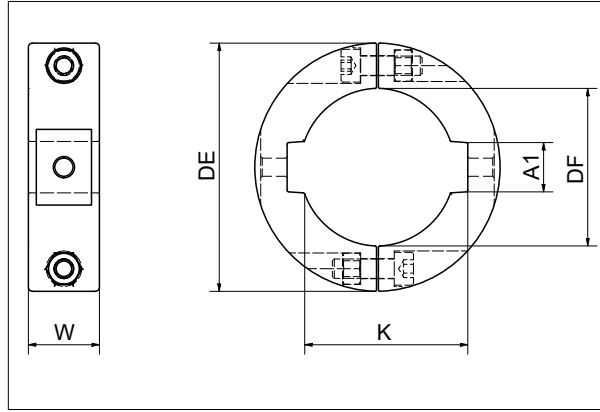
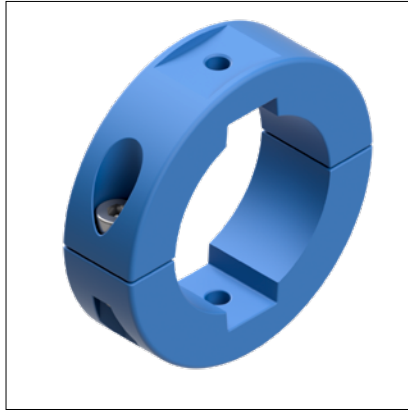
Examples of Application





Components

uni Retainer Rings



Retainer Ring

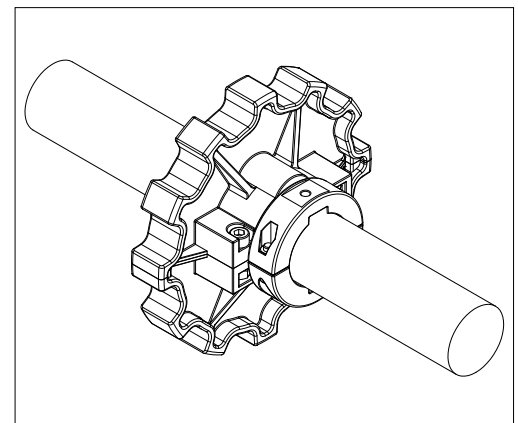
Material: Reinforced Polyamide
 Colour: Blue
 Shaft Shape: Round
 Sprocket type: Drive or Idler
 Bolts and nuts: Stainless-Steel

Standard shipping:
 Available in sets of 4 rings and sets of 20 rings.

Ref.	DF		DE		W		K		A1		Material & color	Weight	
	mm	in	mm	in	mm	in	mm	in	mm	in		kg	lb/ft
95PA6RD20MMNOTB	20	0.79	39	1.54	14	0.55	23.4	0.92	6.5	0.26	PA6-GF B	0.02	0.04
95PA6RD25MMNOTB	25	0.98	45	1.77	14	0.55	29.2	1.15	8.7	0.34	PA6-GF B	0.02	0.04
95PA6RD30MMNOTB	30	1.18	51	2.01	16	0.63	34.1	1.34	8.7	0.34	PA6-GF B	0.02	0.04
95PA6RD40MMNOTB	40	1.57	64	2.52	18	0.71	44.5	1.75	12.7	0.50	PA6-GF B	0.03	0.07
95PA6RD50MMNOTB	50	1.97	76	2.99	18	0.71	55.1	2.17	14.8	0.58	PA6-GF B	0.04	0.09
95PA6RD10INCHB	25.4	1.00	44	1.73	14	0.55	26.5	1.04	8.5	0.33	PA6-GF B	0.02	0.04
95PA6RD15INCHB	38.1	1.50	64	2.52	18	0.71	42.7	1.68	12.7	0.50	PA6-GF B	0.03	0.07
95PA6RD20INCHNOTB	50.8	2.00	76	2.99	18	0.71	56.7	2.23	16.9	0.67	PA6-GF B	0.04	0.09

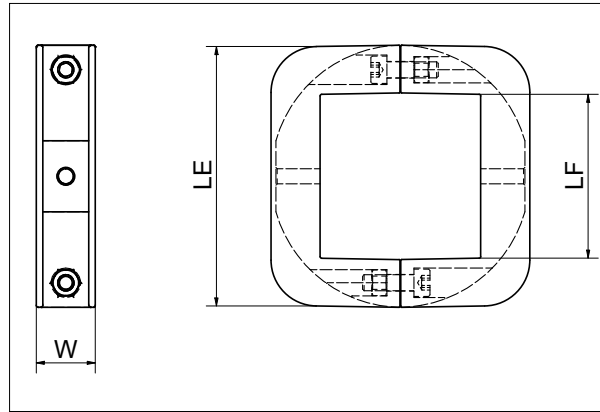
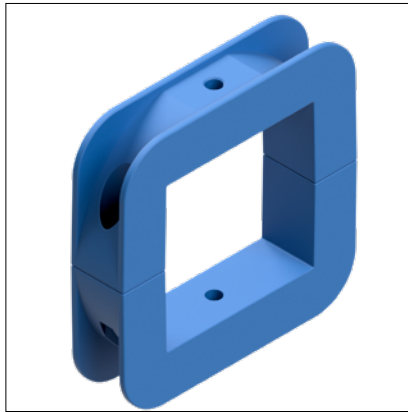
Use a sprocket size that ensures the belt or chain does not conflict with the retainer ring.

Example of Application





Components uni Retainer Rings



Retainer Ring

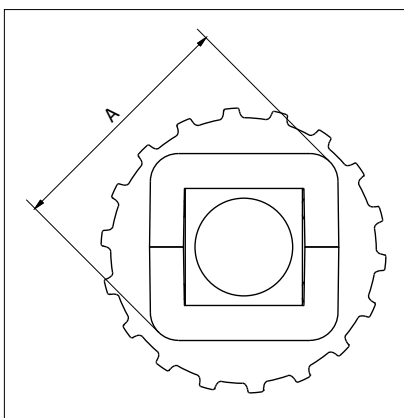
Material: Reinforced Polyamide
 Colour: Blue
 Shaft Shape: Square
 Sprocket type: Drive or Idler
 Bolts and nuts: Stainless-Steel

Standard shipping:
 Available in sets of 4 rings and
 sets of 20 rings.

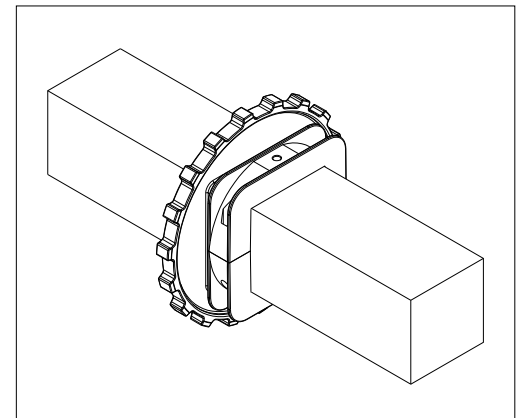
Ref.	LF		LE		W		Material & color	Weight	
	mm	in	mm	in	mm	in		kg	lb/ft
95PA6SQ40MMB	40	1.57	64	2.52	18	0.71	PA6-GF B	0.04	0.09
95PA6SQ50MMB	50	1.97	81	3.19	18	0.71	PA6-GF B	0.06	0.13
95PA6SQ60MMB	60	2.36	96	3.78	18	0.71	PA6-GF B	0.09	0.20
95PA6SQ10INCHB	25.4	1.00	45	1.77	18	0.71	PA6-GF B	0.02	0.04
95PA6SQ15INCHB	38.1	1.50	63	2.48	18	0.71	PA6-GF B	0.05	0.11
95PA6SQ25INCHB	50.8	2.00	96	3.78	18	0.71	PA6-GF B	0.08	0.18

Use a sprocket size that ensures the belt or chain does not conflict with the retainer ring.

Example of Application

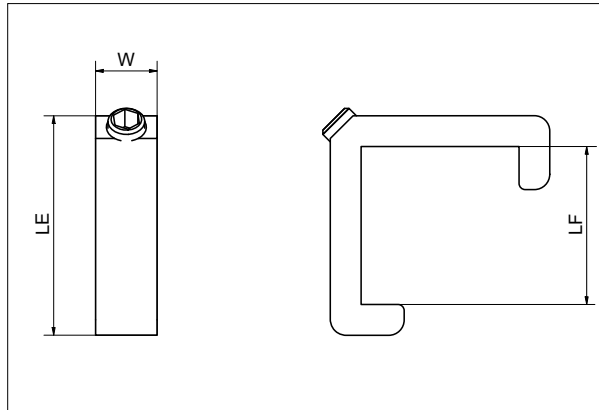


Ref.	A	
	mm	in
95PA6SQ40MMB	80	3.10
95PA6SQ50MMB	103	4.10
95PA6SQ60MMB	124	4.90
95PA6SQ10INCHB	52	2.00
95PA6SQ15INCHB	80	3.10
95PA6SQ25INCHB	124	4.90





Components uni Retainer Rings

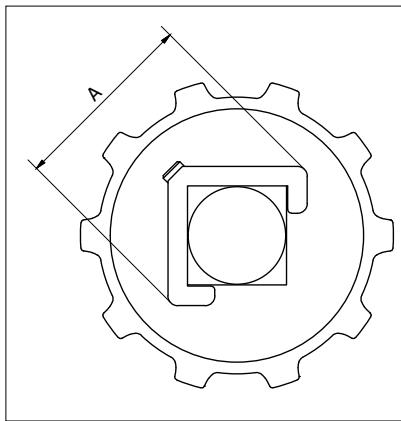


Retainer Ring
 Material: Stainless-Steel
 Shaft Shape: Square
 Sprocket type: Drive or Idler
 Bolt: Stainless-Steel

Standard shipping:
 Available in sets of 4 rings and sets of 20 rings.

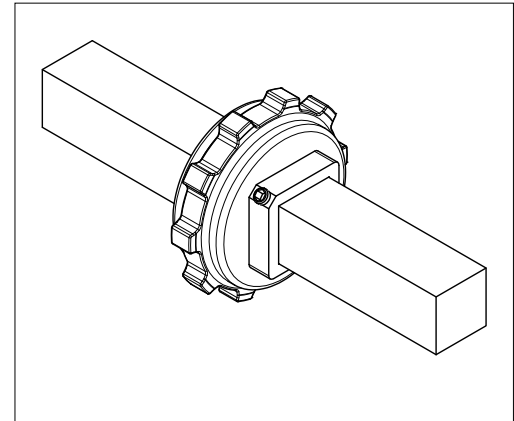
Ref.	LF		LE		W		Material & color	Weight	
	mm	in	mm	in	mm	in		kg	lb/ft
95SSSQ30MMB	30	1.18	40.7	1.60	10	0.39	SS304	0.04	0.08
95SSSQ40MMB	40	1.57	50.7	2.00	10	0.39	SS304	0.05	0.10
95SSSQ60MMB	60	2.36	70.7	2.78	10	0.39	SS304	0.06	0.14
95SSSQ1INCHB	25.4	1.00	35.4	1.39	10	0.39	SS304	0.03	0.07

Use a sprocket size that ensures the belt or chain does not conflict with the retainer ring.



Ref.	A	
	mm	in
95SSSQ30MMB	58	2.28
95SSSQ40MMB	72	2.83
95SSSQ60MMB	100	3.94
95SSSQ1INCHB	37	1.46

Example of Application



uni Retainer Rings / 2025.01.13



The local partner of choice for sustainable conveyor belting solutions - around the globe.
<http://eptool.online>

Member of Ammega Group.



Scan the QR code and find your local contact

Ammeraal Beltech Modular
 Hjulmagervej 21
 DK-7100 Vejle
 T +45 7572 3100

<http://eptool.online>

This information is subject to alteration due to continuous development. Ammeraal Beltech will not be held liable for the incorrect use of the above stated information. This information replaces previous information. All activities performed and services rendered by Ammeraal Beltech are subject to general terms and conditions of sale and delivery, as applied by its operating companies.