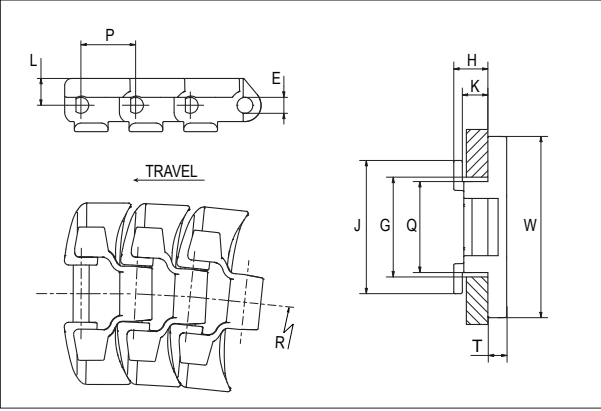
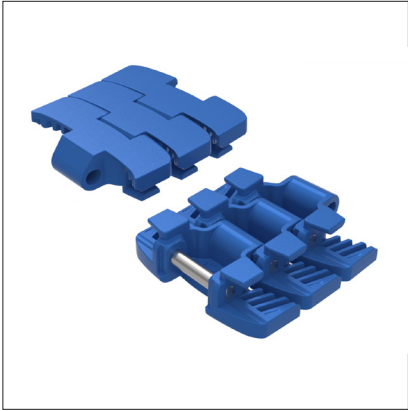




# Slat Top Plastic Chain

Series **uni 253 FT** Type **TAB**



**Slat Top Plastic Chain**  
 Side flexing chain  
 Pitch: 25.4 mm (1.00 in)  
 Backflex radius:  
 200 mm (7.87 in)  
 Permissible tensile strength:  
 All POM materials: 1500 N  
 (337 lbf)  
 Standard shipping lengths:  
 boxes of 120 links  
 = 3.048 m (10.0 ft)

STANDARD

E		G		H		J		K		L		P		Q		T	
mm	in	mm	in	mm	in	mm	in	mm	in	mm	in	mm	in	mm	in	mm	in
7.1	0.28	44.5	1.75	15.9	0.63	61.5	2.42	11.7	0.46	12.4	0.49	25.4	1.00	42.0	1.65	8.7	0.34

All dimensions are for chains in POM material.

	Width (W)		Material & color	Pin material	Weight		Min. radius (R)	
	mm	in			kg/m	lb/ft	mm	in
<b>K325</b>	82.5	3.25	POM-D <b>B</b>	<b>SS431</b>	1.50	1.01	500	19.69
<b>K330</b>	83.8	3.30	POM-D <b>B</b> POM-DK <b>DG</b> PA6.6-GFH <b>K</b>	<b>SS431</b>	1.51	1.01	500	19.69
<b>K450</b>	114.3	4.50	POM-D <b>B</b> POM-DK <b>DG</b> PA6.6-GFH <b>K</b>	<b>SS431</b>	1.76	1.18	500	19.69
<b>K750</b>	190.5	7.50	POM-D <b>B</b> PA6.6-GFH <b>K</b>	<b>SS431</b>	2.35	1.58	610	24.02

SIDE FLEXING

PITCH 25.4 MM/1.00 IN

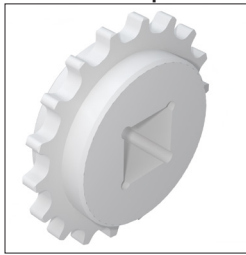
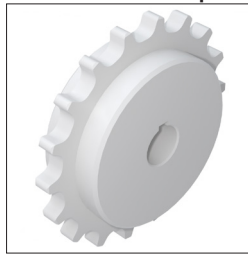
Non standard material and color: See uni Material and Color Overview.  
 Non standard pin material: See uni Material and Color Overview.



## Sprocket

No. of teeth	Metric bore				Imperial bore		Overall diameter		Pitch diameter		Hub diameter		Dimension A		Dimension B		Machined solid sprocket PA6	Machined solid idler PA6			
	in	0.32	0.98	1.18	1.57	1.00													1.50		
	mm	Pilot-Bore	25.0	30.0	40.0	25.4	38.1	mm	in	mm	in	mm	in	mm	in						
Z16										132.1	5.20	130.2	5.13	110.0	4.33	67.5	2.66	78.3	3.08		
Z18										148.5	5.85	146.3	5.76	126.0	4.96	75.7	2.98	86.2	3.39		
Z21										179.9	7.08	170.4	6.71	150.0	5.91	88.0	3.46	98.3	3.87		
Z31										254.2	10.01	251.1	9.89	230.0	9.06	128.6	5.06	138.4	5.45		

Machined solid sprocket Machined square bore

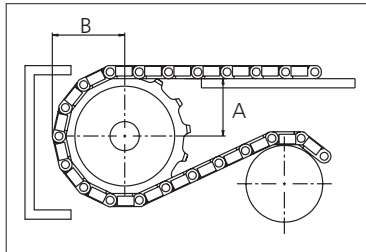


Non standard material and color:  
See uni Material and Color Overview.  
Width of tooth: 11.0 mm (0.43 in)  
Width of sprocket: 30.0 mm (1.18 in)

## Two-part sprocket

No. of teeth	Metric bore				Overall diameter		Pitch diameter		Hub diameter		Dimension A		Dimension B		Machined split sprocket PA6	Machined split idler PA6
	in	0.32	0.98	1.57												
	mm	Pilot-Bore	25.0	40.0	mm	in	mm	in	mm	in	mm	in				
Z16					132.1	5.20	130.2	5.13	110.0	4.33	67.5	2.66	78.3	3.08		
Z18					148.5	5.85	146.3	5.76	126.0	4.96	75.7	2.98	86.2	3.39		
Z21					179.9	7.08	170.4	6.71	150.0	5.91	88.0	3.46	98.3	3.87		
Z31					254.2	10.01	251.1	9.89	230.0	9.06	128.6	5.06	138.4	5.45		

Machined two-part sprocket



Please ensure that sufficient size shaft and keyway are chosen for corresponding load.

Non standard material and color:  
See uni Material and Color Overview.

Other sprocket sizes are available upon request  
Width of tooth: 11.0 mm (0.43 in)  
Width of sprocket: 30.0 mm (1.18)  
uni Retainer Rings: See uni Retainer Ring data sheet  
uni Idler: See uni Idler data sheet

uni 253 FT TAB/2024.08.01



The local partner of choice for sustainable conveyor belting solutions - around the globe.  
<http://eptool.online>

Member of Ammega Group.



Scan the QR code and find your local contact

**Ammeraal Beltech Modular**  
Hjulmagervej 21  
DK-7100 Vejle  
T +45 7572 3100

<http://eptool.online>

This information is subject to alteration due to continuous development. Ammeraal Beltech will not be held liable for the incorrect use of the above stated information. This information replaces previous information. All activities performed and services rendered by Ammeraal Beltech are subject to general terms and conditions of sale and delivery, as applied by its operating companies.