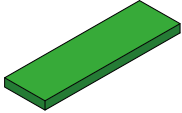
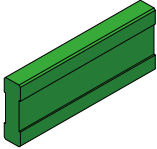
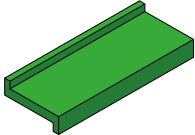
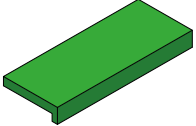
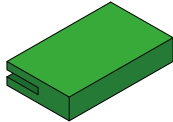
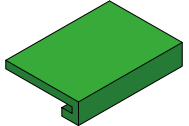
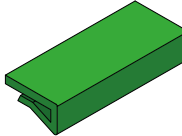
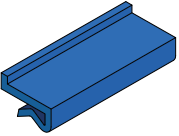
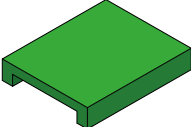
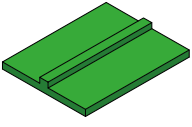
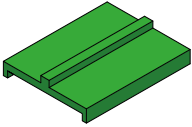
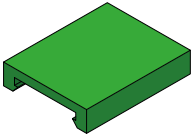
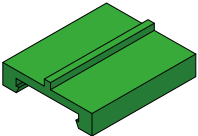
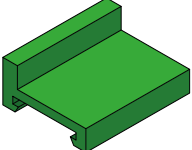
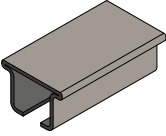
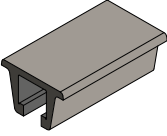
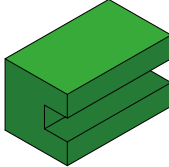
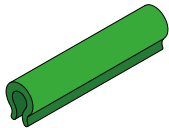
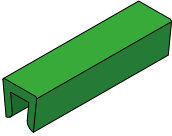
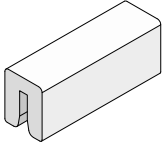
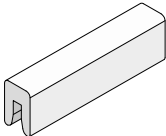
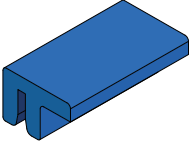
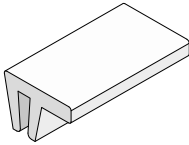
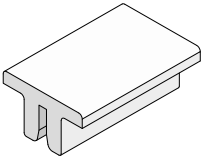
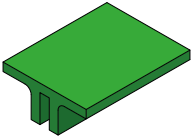
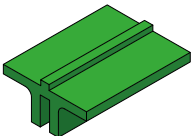
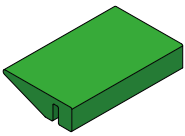
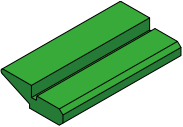
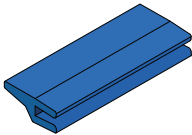
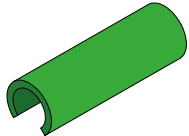
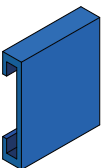
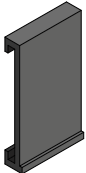

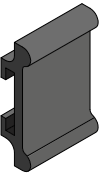
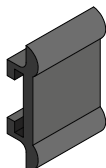
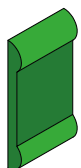


Conveyor Components General Catalogue



TABLE OF CONTENTS

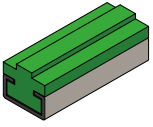
▼ Profiles, guides & wearstrips	1	Knobs	126
Guides and wearstrips	4	Ratchet handles	127
Neck guides & cap bars	11	Heads	128
Product side guide rails	12	Rod accessories	130
Machined product side guide rails	15	Clamps for round guides	133
Conical guides & wearstrips	16	Clamps for C2010 guide	142
C2010 guides and wearstrips	19	Clamps for conical side guides	150
A12052 guides and wearstrips	22	Wider side guides and accessories	160
Roller chain guides	24	C2919 profile accessories	164
Link chain guides	30	Drip tray support	168
Belt guides & steel profiles	31	Product handling accessories	169
		Cross blocks and photocell accessories	171
▼ Leveling feet	35	Frame mounting system	179
Plastic feet	36	Handles	184
Stainless steel feet	56	Hinges	185
Feet bases	63	Machined plastic parts: On demand	187
Anti-slip pads	64	▼ Bearing support	189
Threaded tube ends	65	UCF	190
▼ Conveyor components	67	UFL	191
Support bases	69	UCP	192
Side mounting top brackets	71	UCPA	194
Connecting joints	72	UCHP	196
Support heads	73	UCH	198
Retainer rings	75	SQL	200
Bushings	77	UFL-M	202
Return profile accessories	80	UFLM-MT	203
Sliding shoe	84	UFL-MCT	204
High performance return rollers	86	UCP • UFL • UCP	205
Return rollers	89	UCF/R	206
Roller accessories	95	▼ Technical information	207
Modular transfer plates	98	UHMW-PE Deslidur	208
Product guide rollers	100	Material chemical resistance	211
Product guide roller accessories	109	Bearing support	212
Side guide brackets	111	Abbreviations	215
Bracket spacers	123		

p. 4	p. 4	p. 4	p. 5	p. 5	p. 5
					
p. 5	p. 6	p. 6	p. 6	p. 6	p. 7
					
p. 7	p. 7	p. 7	p. 8	p. 8	p. 8
					
p. 8	p. 9	p. 9	p. 9	p. 9	p. 10
					
p. 10	p. 10	p. 11	p. 11	p. 11	p. 11
					
p. 12	p. 12	p. 12	p. 13	p. 13	p. 13
					

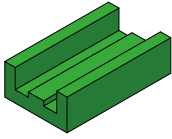


p. 13	p. 14	p. 14	p. 15	p. 15	p. 15
p. 15	p. 16	p. 16	p. 16	p. 16	p. 17
p. 17	p. 17	p. 17	p. 18	p. 18	p. 19
p. 19	p. 19	p. 19	p. 20	p. 20	p. 20
p. 20	p. 21	p. 21	p. 21	p. 21	p. 22
p. 22	p. 22	p. 22	p. 23	p. 23	p. 23
p. 24	p. 24	p. 25	p. 25	p. 25	p. 26

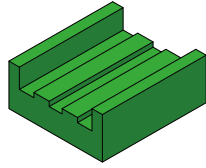
p. 26



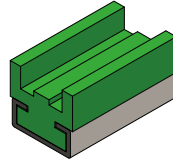
p. 27



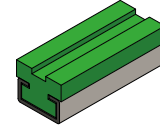
p. 27



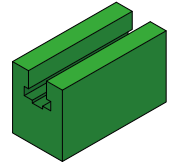
p. 27



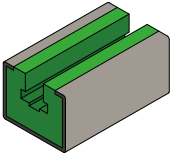
p. 28



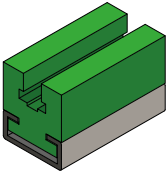
p. 28



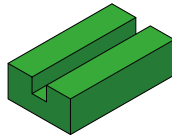
p. 28



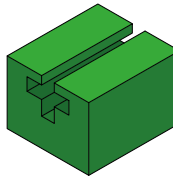
p. 29



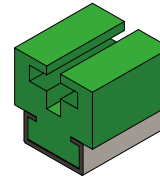
p. 29



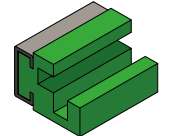
p. 30



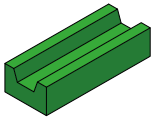
p. 30



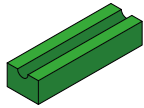
p. 30



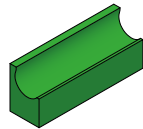
p. 31



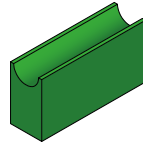
p. 31



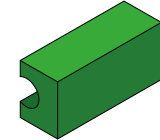
p. 31



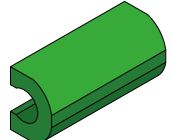
p. 31



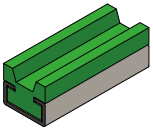
p. 32



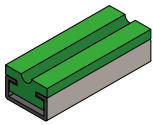
p. 32



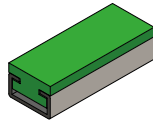
p. 33



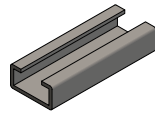
p. 33

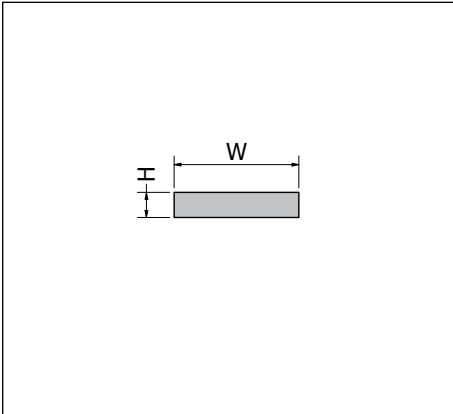


p. 34



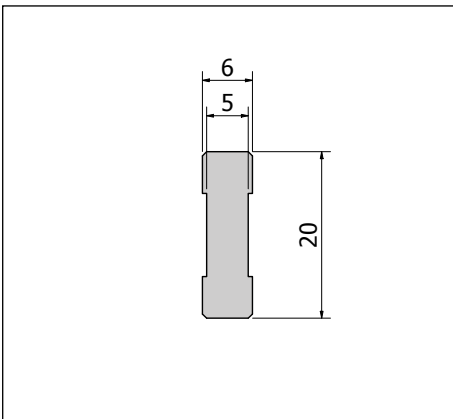
p. 34





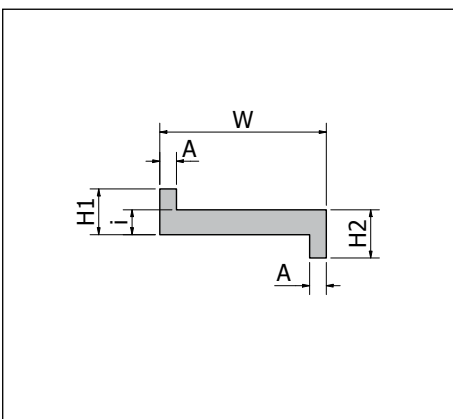
Ref.	W	H	Kg/m	Std.	MTO	Ref.	W	H	Kg/m	Std.	MTO
P#0098	10	2	0.02		□	P#0109	60	3	0.17	□■	
P#0090	15	2	0.03		□	P#0111	70	3	0.20	□■	
P#0091	20	2	0.04		□	P#0151	20	4	0.08		□
P#0092	25	2	0.05		□	P#0152	25	4	0.10		□
P#0093	30	2	0.06		□	P#0153	30	4	0.12		□
P#0094	35	2	0.07		□	P#0154	35	4	0.14		□
P#0095	40	2	0.08	□		⊕P#0155	40	4	0.16	□■	
P#0096	45	2	0.09		□	P#0156	45	4	0.18		□
P#0097	50	2	0.10		□	P#0157	50	4	0.19		□
P#0100	15	3	0.05	□■	■	P#0120	15	5	0.07		■■
P#0101	20	3	0.06	□■	■	P#0121	20	5	0.10	■	■
P#0102	25	3	0.07	□■	■	P#0122	25	5	0.12	■	■
P#0103	30	3	0.09	□■	■	P#0123	30	5	0.14	■	■
P#0104	35	3	0.10	□■	■	P#0124	35	5	0.17	■	■
⊕P#0105	40	3	0.11	□■	■	P#0125	40	5	0.19	■	■
P#0106	45	3	0.13	□■	■	P#0126	45	5	0.21		■■
⊕P#0107	50	3	0.14	□■	■	⊕P#0127	50	5	0.24	■	■

Standard length: 50 m (164 ft) | Standard material: UHMW-PE "DESLIDUR"
 On demand options: Different colours available | Dimensions in mm | ⊕ Best seller
 Replace # by colour code to complete the reference number | Colour codes: □ 1 | ■ 2 | ■ 3 | ■ 6



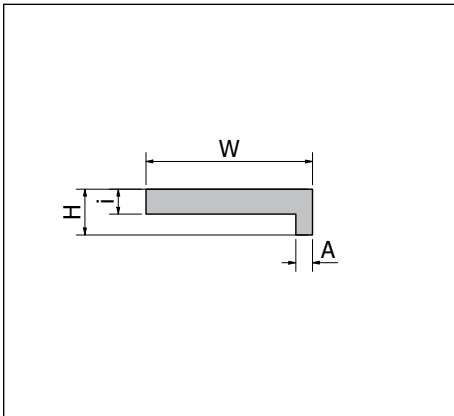
Ref.	L	Kg/m	Std.
P#0240	25	0.10	■

Standard material: UHMW-PE "DESLIDUR"
 On demand options: Different colours available | Dimensions in mm | L dimension in meters
 Replace # by colour code to complete the reference number | Colour codes: □ 1 | ■ 2 | ■ 3 | ■ 6
View related components on pages 80 - 83



Ref.	W	H1	H2	i	A	L	Kg/m	Std.	MTO
⊕P#0250	20	5.5	5.8	3	2	50	0.07	■	■
⊕P#0253	23	9	7	4	3	50	0.12	■	■

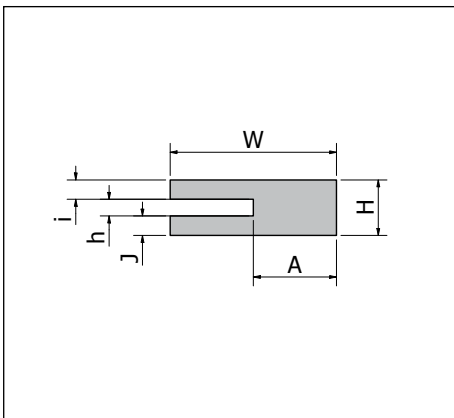
Standard material: UHMW-PE "DESLIDUR"
 On demand options: Different colours available | Dimensions in mm | L dimension in meters | ⊕ Best seller
 Replace # by colour code to complete the reference number | Colour codes: □ 1 | ■ 2 | ■ 3 | ■ 6



Ref.	W	H	i	A	L	Kg/m	Std.	MTO
⊕ P#0249	23	9	4	3	50	0.11	■	■
⊕ P#0254	20	5.5	3	2	50	0.06	■	■
P#0255	53	6	3	2	50	0.16	■	■
P#0256	23	7	4	4.8	50	0.11	■	■
P#0257L2	41	12	3	6	2	0.17	■	
P#0258	20	5.5	3	2.5	50	0.07		■

Standard material: UHMW-PE "DESLIDUR"

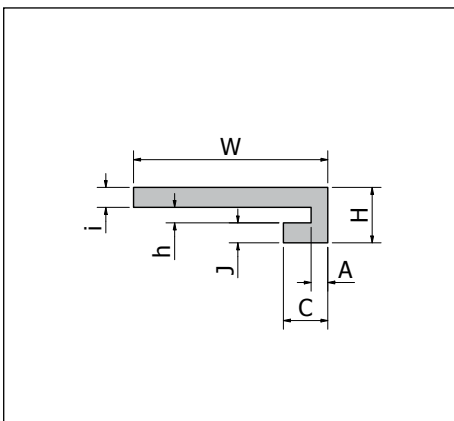
On demand options: Different colours available | Dimensions in mm | L dimension in meters | ⊕ Best seller
 Replace # by colour code to complete the reference number | Colour codes: □1 | ■2 | ■3 | ■6



Ref.	W	H	i	J	h	A	L	Kg/m	Std.	MTO
P#0320	30	10	3.5	3.5	3	15	2	0.25	■	
P#0322	50	20	5.5	5.5	9	21	2	0.74		■

Standard material: UHMW-PE "DESLIDUR"

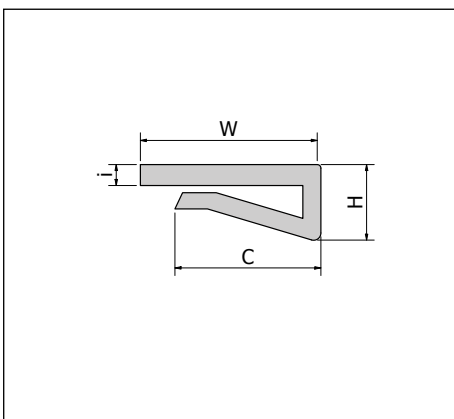
On demand options: Different colours available | Dimensions in mm | L dimension in meters
 Replace # by colour code to complete the reference number | Colour codes: □1 | ■2 | ■3 | ■6



Ref.	W	H	i	J	C	h	A	L	Kg/m	Std.	MTO
P#0312	23	10	3.0	3.0	11	3.0	3	2	0.11	■	
P#0311	35	10	3.6	3.6	8	2.8	3	2	0.14		■
P#0310	40	8	3.0	2.0	25	3.0	10	2	0.19	■	
P#0373	45	14	3.0	2.5	10	8.5	4	2	0.19		■

Standard material: UHMW-PE "DESLIDUR"

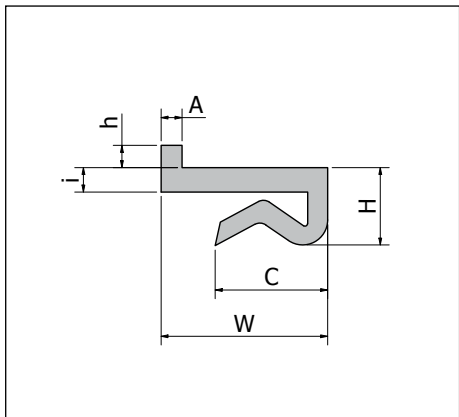
On demand options: Different colours available | Dimensions in mm | L dimension in meters
 Replace # by colour code to complete the reference number | Colour codes: □1 | ■2 | ■3 | ■6



Ref.	W	H	C	i	L	Kg/m	Std.	MTO
⊕ P#0269	20	10.5	14.5	3	50	0.11	■ ■	
⊕ P#0274	25	10.5	20	3	50	0.12	■ ■	■
⊕ P#0282	40	10.3	20	3	50	0.16	■	■

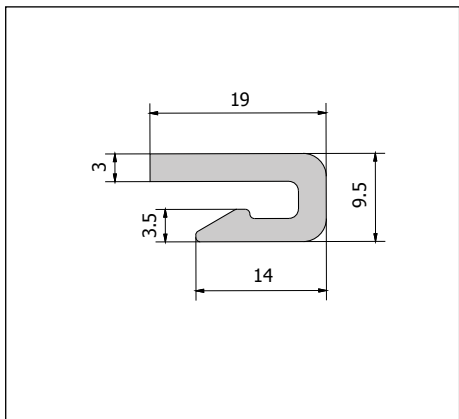
Standard material: UHMW-PE "DESLIDUR"

On demand options: Different colours available | Dimensions in mm | L dimension in meters | ⊕ Best seller
 Replace # by colour code to complete the reference number | Colour codes: □1 | ■2 | ■3 | ■6
 For use with sheet metal ranging in thickness from 1.5mm to 3mm



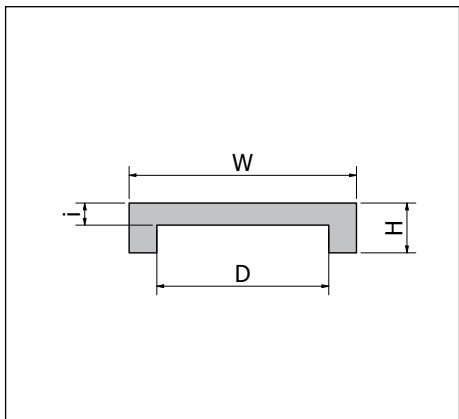
Ref.	W	H	C	i	A	h	L	Kg/m	Std.	MTO
⊕ P#0275	20	9	13	3	2.5	2.5	50	0.12	■	■
⊕ P#0271	25	9	13	3	2.5	2.5	50	0.12	■	■
⊕ P#0283	26	10.5	15.5	4	4	6	50	0.18	■ ■	

Standard material: UHMW-PE "DESLIDUR"
 On demand options: Different colours available | Dimensions in mm | L dimension in meters | ⊕ Best seller
 Replace # by colour code to complete the reference number | Colour codes: □ 1 | ■ 2 | ■ 3 | ■ 6
 For use with sheet metal ranging in thickness from 1.5mm to 3mm



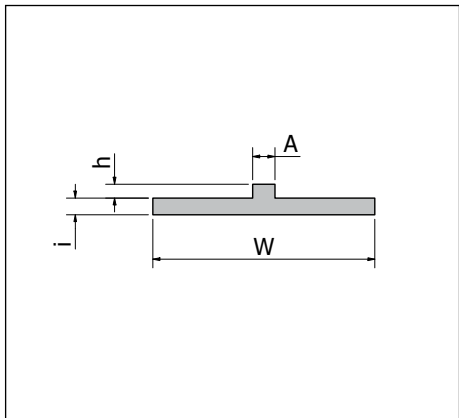
Ref.	Material	L	Kg/m	Std.	MTO
P#0300	Deslidur	50	0.10	■ ■	■
P#0300AS	Antistatic	50	0.10	-	■

On demand options: Different colours available | Dimensions in mm | L dimension in meters | ⊕ Best seller
 Replace # by colour code to complete the reference number | Colour codes: □ 1 | ■ 2 | ■ 3 | ■ 6



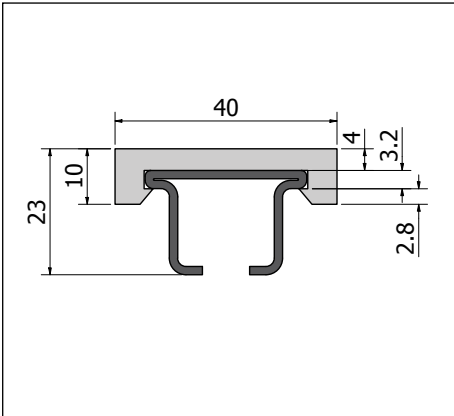
Ref.	W	i	D	H	L	Kg/m	Std.	MTO
P#0263	31	4	21	9	50	0.17	■	■
⊕ P#0265	41	4	31	9	50	0.21	■	■
⊕ P#0267	41	3	31	7	50	0.17	■	■
P#0272	42	4	35.5	7	50	0.17	■	
P#0296L2	34	7	24	15	2	0.32		■
P#0297	45	3	40.5	9	50	0.16	■	
P#0298L2	39	5	29	18	2	0.33		■

Standard material: UHMW-PE "DESLIDUR"
 On demand options: Different colours available | Dimensions in mm | L dimension in meters | ⊕ Best seller
 Replace # by colour code to complete the reference number | Colour codes: □ 1 | ■ 2 | ■ 3 | ■ 6



Ref.	W	h	i	D	H	A	L	Kg/m	Std.	MTO
P#0260	40	2.5	3	-	-	4	50	0.11	■	■

Standard material: UHMW-PE "DESLIDUR"
 On demand options: Different colours available | Dimensions in mm | L dimension in meters
 Replace # by colour code to complete the reference number | Colour codes: □ 1 | ■ 2 | ■ 3 | ■ 6



Ref.	Guide	L	Kg	Std.
⊕ P#0376		50	10.60	■ ■
⊕ P#0376L3		3		■ ■
⊕ PSS#0376L3	C2919SSL3	3	3.42	■
⊕ PSS#0376L6	C2919SSL6	6	6.84	■

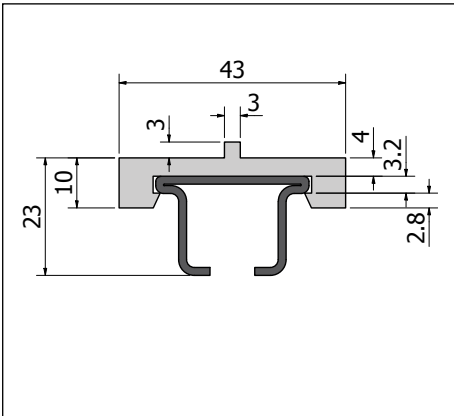
Standard material: UHMW-PE "DESLIDUR"

On demand options: Different colours available | Dimensions in mm | L dimension in meters | ⊕ Best seller

Replace # by colour code to complete the reference number | Colour codes: □ 1 | ■ 2 | ■ 3 | ■ 6

References PSS#0376L3 and PSS#0376L6 includes guide C2919SS, can also be used with guide C2919AA

View related components on pages 164 - 167



Ref.	Guide	L	Kg	Std.
P#0378		50	10.60	■
P#0378L3		3		■
PSS#0378L3	C2919SSL3	3	3.42	■
PSS#0378L6	C2919SSL6	6	6.84	■

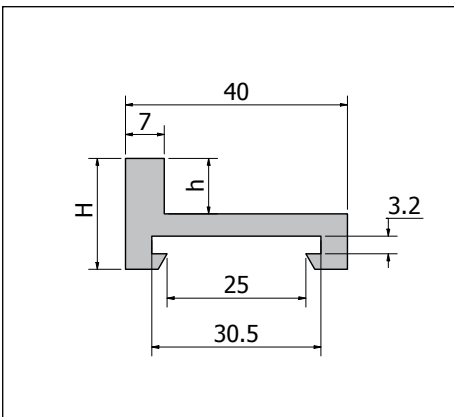
Standard material: UHMW-PE "DESLIDUR"

On demand options: Different colours available | Dimensions in mm | L dimension in meters

Replace # by colour code to complete the reference number | Colour codes: □ 1 | ■ 2 | ■ 3 | ■ 6

References PSS#0376L3 and PSS#0376L6 includes guide C2919SS, can also be used with guide C2919AA

View related components on pages 164 - 167

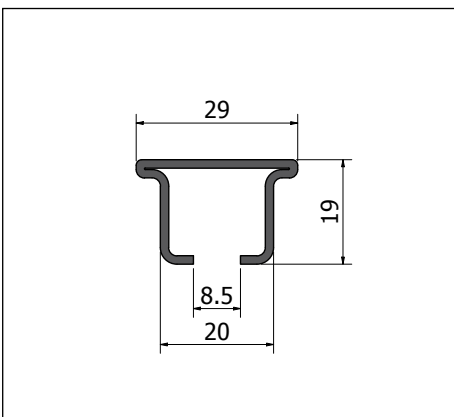


Ref.	H	h	L	Kg/m	Std.
P#0381L3	20	10	3	0.31	■ ■
P#0381L6	20	10	6	0.31	■
P#0387L3	17	7	3	0.28	■ ■
P#0387L6	17	7	6	0.28	■

Standard material: UHMW-PE "DESLIDUR"

On demand options: Different colours available | Dimensions in mm | L dimension in meters

Replace # by colour code to complete the reference number | Colour codes: □ 1 | ■ 2 | ■ 3 | ■ 6



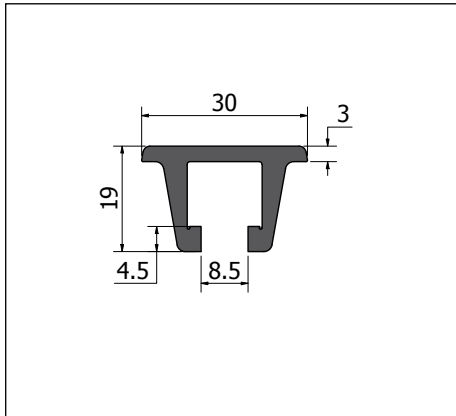
Ref.	Material	L	Kg	Delivery
⊕ C2919SS304L3	AISI304	3	2.78	Std
⊕ C2919SS304L6	AISI304	6	5.56	Std
C2919SS430L3	AISI430	3	2.78	MTO
C2919SS430L6	AISI430	6	5.56	MTO

Standard material: Stainless steel | Dimensions in mm

L dimension in meters | ⊕ Best seller

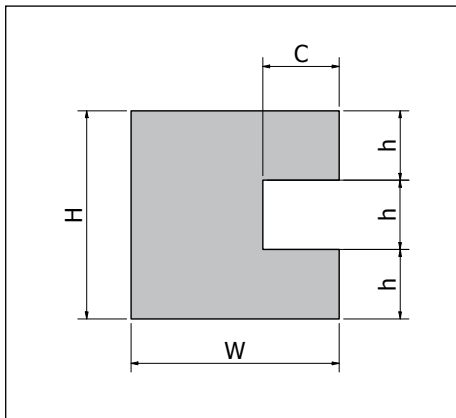
View related components on pages 164 - 167





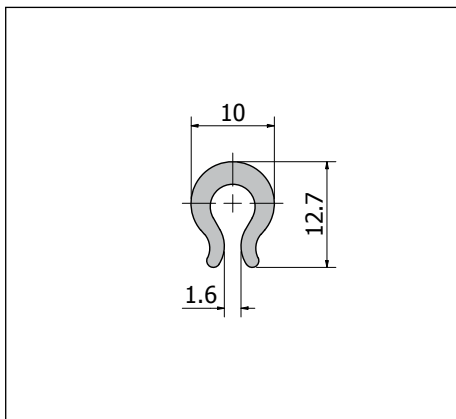
Ref.	L	Kg	Delivery
C2919AAL3	3	2.78	Standard
C2919AAL6	6	5.56	Standard

Standard material: Aluminium | Dimensions in mm | L dimension in meters
 View related components on pages 164 - 167



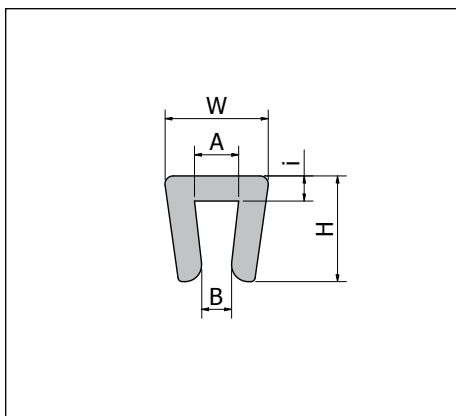
Ref.	W	H	h	C	Chain width (K)		L	Kg	MTO
					mm	inch			
P#0290	30	30	10	11	82.5	3.25	2	2.78	■
P#0291	40	30	10	11	114.3	4.50	2	5.56	■

For use with chains 880 TAB • 881 TAB | Standard material: UHMW-PE "DESLIDUR"
 On demand options: Different colours available | Dimensions in mm | L dimension in meters
 Replace # by colour code to complete the reference number | Colour codes: □ 1 | ■ 2 | ■ 3 | ■ 6



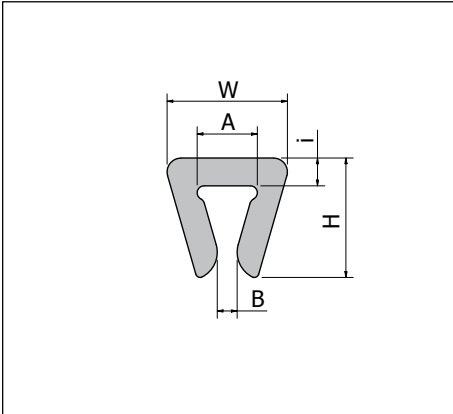
Ref.	L	Kg	Plate thk.	Std.
P#0285	50	2.78	2-3	■ ■

Standard material: UHMW-PE "DESLIDUR"
 On demand options: Different colours available | Dimensions in mm | L dimension in meters
 Replace # by colour code to complete the reference number | Colour codes: □ 1 | ■ 2 | ■ 3 | ■ 6



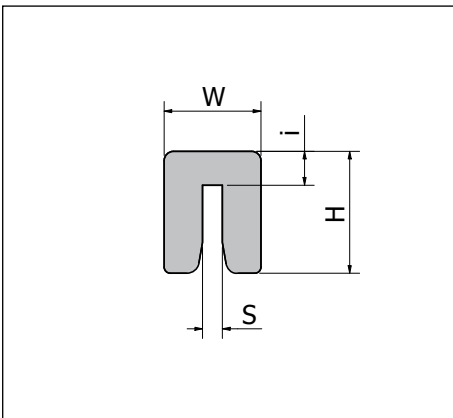
Ref.	W	H	A	B	i	L	Kg/m	Plate thk.	Std.	MTO
★ P#0286	12.5	12	7	6	3	50	0.08	6	□	■
★ P#0289	17	20	5.1	3	5	50	0.21	4-5	□ ■	■
★ P#0301	12.7	12.7	4.1	3.1	3.2	50	0.10	3-4	□ ■	
★ P#0302	12.7	12.7	5.3	3	3	50	0.10	4-5	□ ■	

Standard material: UHMW-PE "DESLIDUR"
 On demand options: Different colours available | Dimensions in mm | L dimension in meters | ★ Best seller
 Replace # by colour code to complete the reference number | Colour codes: □ 1 | ■ 2 | ■ 3 | ■ 6



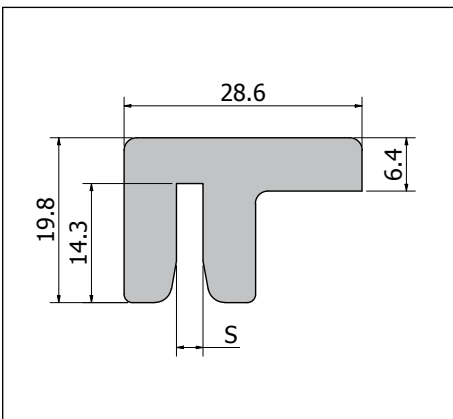
Ref.	W	H	A	B	i	L	Kg/m	Plate thk.	Std.
P#0303	13	13	6.5	2	3	50	0.	3-4	<input type="checkbox"/>

Standard material: UHMW-PE "DESLIDUR"
 On demand options: Different colours available | Dimensions in mm | L dimension in meters
 Replace # by colour code to complete the reference number | Colour codes: 1 | 2 | 3 | 6



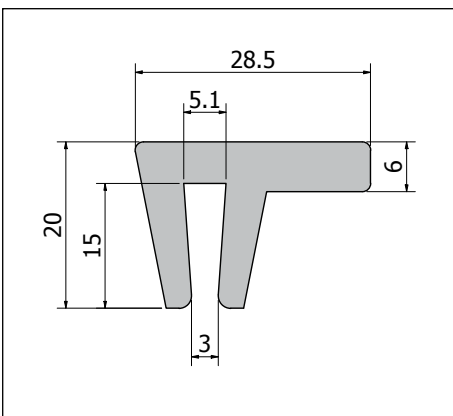
Ref.	W	H	S	i	L	Kg/m	Plate thk.	Std.
<input checked="" type="checkbox"/> P#0462L3	15.7	19.8	2.2	5.5	3	0.28	2	<input type="checkbox"/> <input checked="" type="checkbox"/>
P#0464L3	15.7	19.8	2.7	5.5	3	0.27	2.5	<input type="checkbox"/>
<input checked="" type="checkbox"/> P#0467L3	15.7	19.8	3.2	5.5	3	0.26	3	<input type="checkbox"/> <input checked="" type="checkbox"/>
P#0469L3	15.7	19.8	4.5	5.5	3	0.25	4	<input type="checkbox"/>
P#0471L3	15.7	19.8	5.2	5.5	3	0.24	5	<input type="checkbox"/>
P#0473	9.5	14.4	3	5.5	50	0.14	3	<input type="checkbox"/> <input checked="" type="checkbox"/>

Standard material: UHMW-PE "DESLIDUR"
 On demand options: Different colours available | Dimensions in mm | L dimension in meters
 Replace # by colour code to complete the reference number | Colour codes: 1 | 2 | 3 | 6



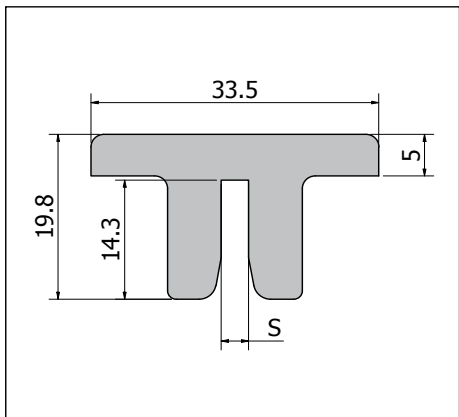
Ref.	S	L	Kg/m	Plate thk.	Std.
<input checked="" type="checkbox"/> P#0494L3	2.2	3	0.41	2	<input type="checkbox"/> <input checked="" type="checkbox"/>
P#0495L3	2.7	3	0.40	2.5	<input type="checkbox"/>
<input checked="" type="checkbox"/> P#0496L3	3.2	3	0.39	3	<input type="checkbox"/> <input checked="" type="checkbox"/>
P#0497L3	4.5	3	0.38	4	<input type="checkbox"/>
P#0498L3	5.2	3	0.37	5	<input type="checkbox"/>

Standard material: UHMW-PE "DESLIDUR"
 On demand options: Different colours available | Dimensions in mm | L dimension in meters | Best seller
 Replace # by colour code to complete the reference number | Colour codes: 1 | 2 | 3 | 6



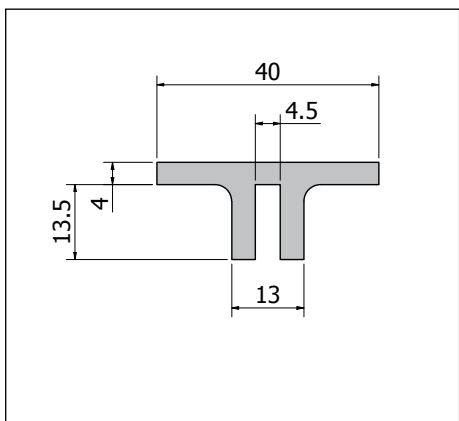
Ref.	L	Kg/m	Plate thk.	Std.
P#0492	3	0.39	3-5	<input type="checkbox"/>

Standard material: UHMW-PE "DESLIDUR"
 On demand options: Different colours available | Dimensions in mm | L dimension in meters
 Replace # by colour code to complete the reference number | Colour codes: 1 | 2 | 3 | 6



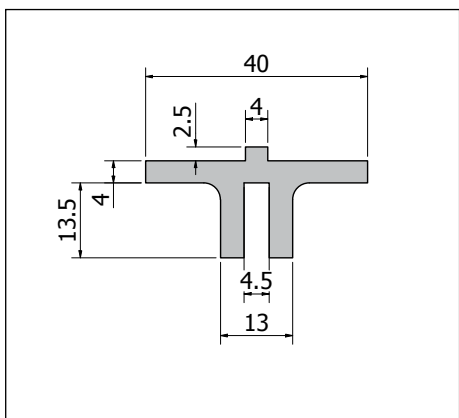
Ref.	S	L	Kg/m	Plate thk.	MTO
P#0480L3	2.2	3	0.37	2	□
P#0482L3	2.7	3	0.36	2.5	□
P#0485L3	3.2	3	0.35	3	□
P#0488L3	4.5	3	0.34	4	□
P#0490L3	5.2	3	0.33	5	□

Standard material: UHMW-PE "DESLIDUR"
 On demand options: Different colours available | Dimensions in mm | L dimension in meters
 Replace # by colour code to complete the reference number | Colour codes: □ 1 | ■ 2 | ■ 3 | ■ 6



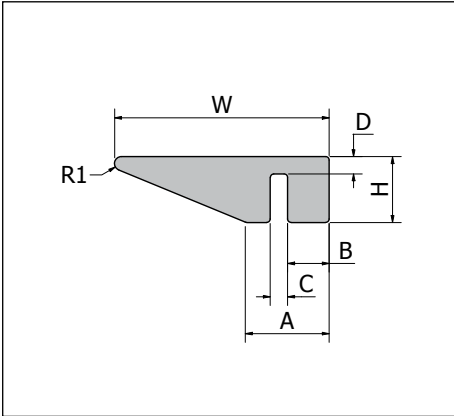
Ref.	L	Kg/m	Plate thk.	Std.
P#0293	50	0.29	4	■

Standard material: UHMW-PE "DESLIDUR"
 On demand options: Different colours available | Dimensions in mm | L dimension in meters
 Replace # by colour code to complete the reference number | Colour codes: □ 1 | ■ 2 | ■ 3 | ■ 6



Ref.	L	Kg/m	Plate thk.	MTO
P#0292	2	0.29	4	■

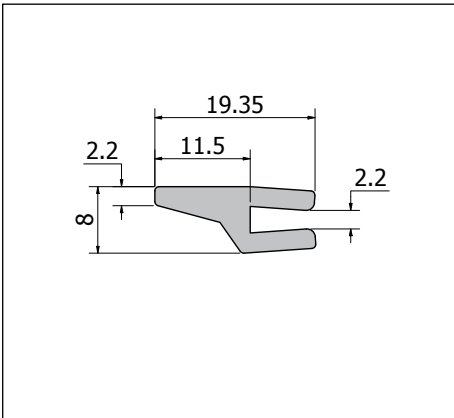
Standard material: UHMW-PE "DESLIDUR"
 On demand options: Different colours available | Dimensions in mm | L dimension in meters
 Replace # by colour code to complete the reference number | Colour codes: □ 1 | ■ 2 | ■ 3 | ■ 6



Ref.	W	H	A	B	C	D	L	Kg/m	MTO
P#0650L2	20	14.0	9.0	3	3.0	7.7	2	0.18	■
P#0655L2	23	10.0	9.0	5	2.4	4.0	2	0.15	■
P#0658L2	23	10.0	10.3	5	2.3	4.0	2	0.16	■
P#0662L2	25	10.5	9.0	5	2.3	4.0	2	0.18	■
P#0665L2	28	10.0	10.0	5	2.1	5.0	2	0.19	■
P#0670L2	32	10.0	9.0	5	3.2	5.0	2	0.17	■
P#0674L2	35	9.5	12.0	6	2.5	2.5	2	0.24	■

Standard material: UHMW-PE "DESLIDUR"

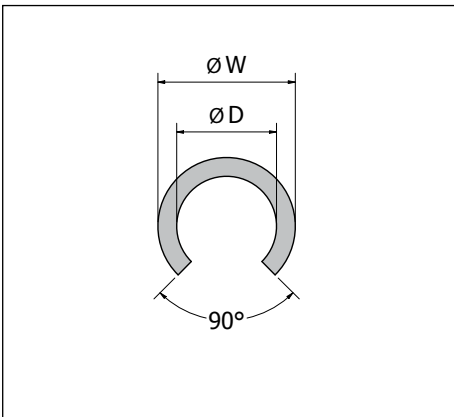
On demand options: Different colours available | Dimensions in mm | L dimension in meters
 Replace # by colour code to complete the reference number | Colour codes: □ 1 | ■ 2 | ■ 3 | ■ 6



Ref.	L	Kg/m	Std.
P#0780	2	0.08	■

Standard material: UHMW-PE "DESLIDUR"

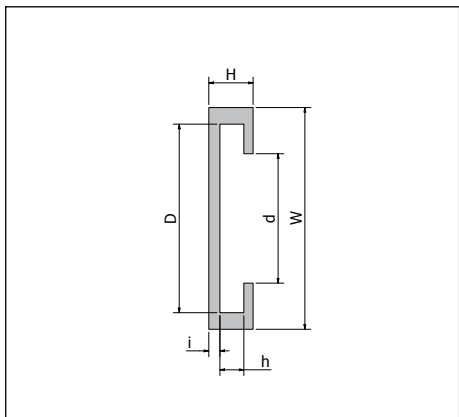
On demand options: Different colours available | Dimensions in mm | L dimension in meters
 Replace # by colour code to complete the reference number | Colour codes: □ 1 | ■ 2 | ■ 3 | ■ 6



Ref.	∅W	∅D	L	Kg/m	Std.
P#0400	16.5	12	50	0.08	□ ■
P#0402	13.8	10	50	0.07	□ ■

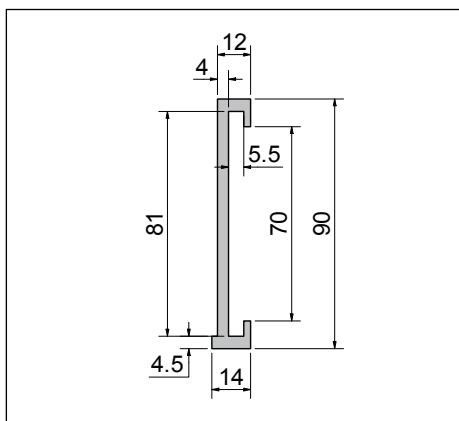
Standard material: UHMW-PE "DESLIDUR"

On demand options: Different colours available | Dimensions in mm | L dimension in meters
 Replace # by colour code to complete the reference number | Colour codes: □ 1 | ■ 2 | ■ 3 | ■ 6



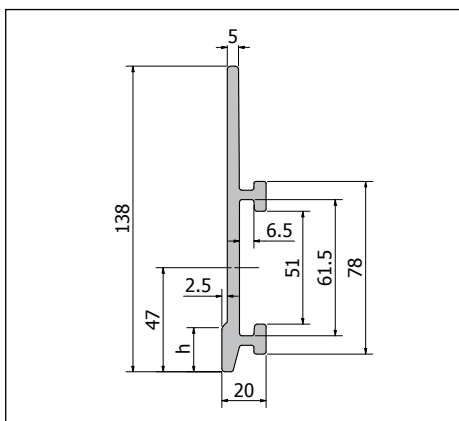
Ref.	W	H	i	h	D	d	L	Kg/m	Plate	Std	MTO
P#0364L2	30	12	3	3.5	21	12	2	0.22	20x3		■
P#0365	30	12	3.5	5.2	20.5	12	2	0.17	20x5	■	
★ P#0370	40	10	3.5	3.5	30.5	23	50	0.19	30x3	■	
P#0367	50	10	3	4.5	41	29	50	0.24	40x4	■	
P#0369L2	50	12	3	6.5	40.3	28.5	2	0.24	40x6	■	
★ P#0371	50	14	3	8.3	41	30	50	0.26	40x8	■	
P#0372	50	16	3	10.3	41	30	2	0.27	40x10	■	
★ P#0374	60	12	3	6.5	51	35.0	50	0.28	50x6	■	
P#0392L2	90	12	4	5.5	81	70	2	0.42	80x5	■	

Standard material: UHMW-PE "DESLIDUR" | On demand options: Different colours and dimensions available
 Dimensions in mm | L dimension in meters | ★ Best seller
 Replace # by colour code to complete the reference number | Colour codes: □ 1 | ■ 2 | ■ 3 | ■ 6



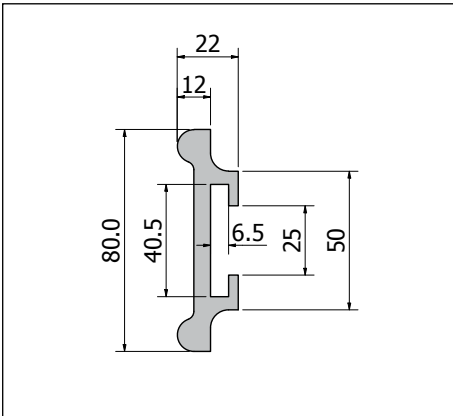
Ref.	L	Kg/m	Plate	MTO
P#0390L2	2	0.47	80x5	■

Standard material: UHMW-PE "DESLIDUR"
 On demand options: Different colours available | Dimensions in mm | L dimension in meters
 Replace # by colour code to complete the reference number | Colour codes: □ 1 | ■ 2 | ■ 3 | ■ 6



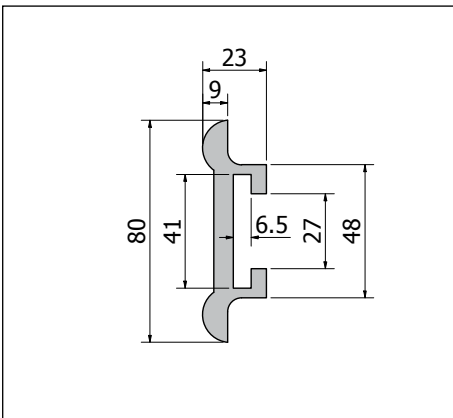
Ref.	h	Plate	Shipping	L	Kg/m	Std.
WSDURSG001L03#	20	60x5 60x6	2 x 3 m	3	1.02	■ ■
WSDURSG001L06#	20	60x5 60x6	2 x 6 m	6	1.02	■ ■
WSDURSG002L03#	40	60x5 60x6	2 x 3 m	3	1.07	■ ■
WSDURSG002L06#	40	60x5 60x6	2 x 6 m	6	1.07	■ ■

Standard material: UHMW-PE "DESLIDUR" | Min. radius: 200 mm (7.87 in)
 Can be used with flat profiles: 60x5 or 60x6 mm | Dimensions in mm | L dimension in meters
 Replace # by colour code to complete the reference number | Colour codes: ■ K | ■ B



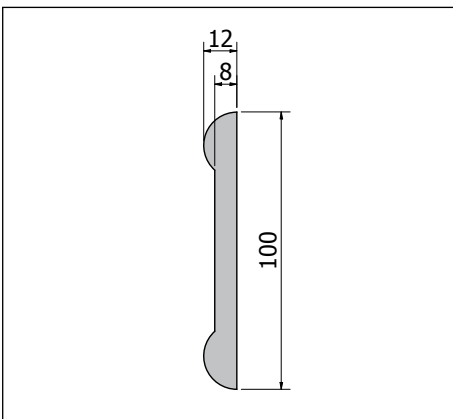
Ref.	L	Kg/m	MTO
P#0389	2	0.6	■

Standard material: UHMW-PE "DESLIDUR"
 On demand options: Different colours available | Dimensions in mm | L dimension in meters
 Replace # by colour code to complete the reference number | Colour codes: □1 | ■2 | ■3 | ■6



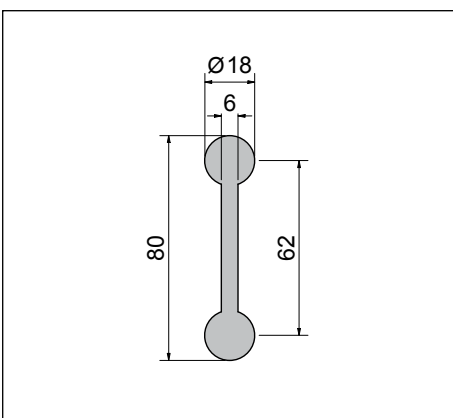
Ref.	L	Kg/m	MTO
P#0382	2	0.73	■

Standard material: UHMW-PE "DESLIDUR"
 On demand options: Different colours available | Dimensions in mm | L dimension in meters
 Replace # by colour code to complete the reference number | Colour codes: □1 | ■2 | ■3 | ■6



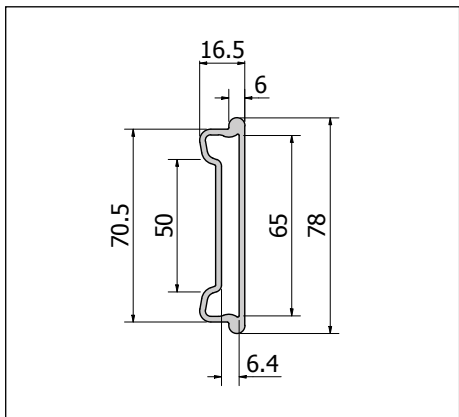
Ref.	L	Kg/m	MTO
P#0384	2	0.76	■

Standard material: UHMW-PE "DESLIDUR"
 On demand options: Different colours available | Dimensions in mm | L dimension in meters
 Replace # by colour code to complete the reference number | Colour codes: □1 | ■2 | ■3 | ■6



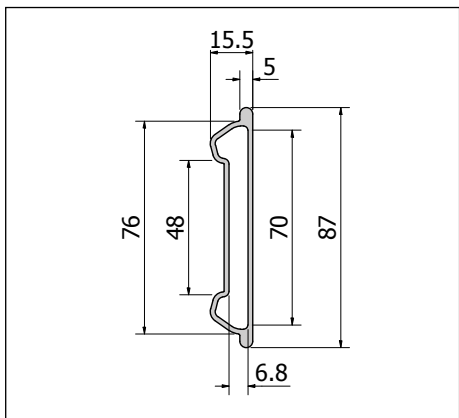
Ref.	L	Kg/m	MTO
P#0360L2	2	0.77	■
P#0360L3	3	0.77	■
P#0360L6	6	0.77	■

Standard material: UHMW-PE "DESLIDUR"
 On demand options: Different colours available | Dimensions in mm | L dimension in meters
 Replace # by colour code to complete the reference number | Colour codes: □1 | ■2 | ■3 | ■6



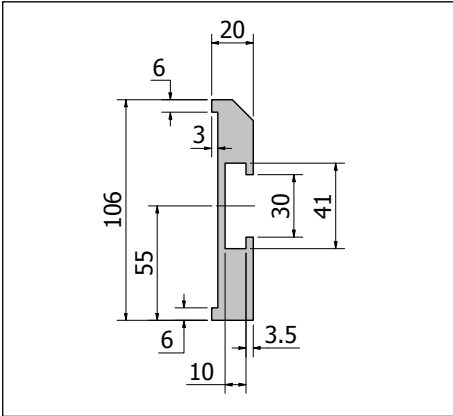
Ref.	L	Kg/m	Std.	MTO
P#0447L3	3	0.33	■	
P#0447L6	6	0.33		■

Standard material: Self-lubricating polyethylene.
 On demand options: Different colours available | Dimensions in mm | L dimension in meters
 Replace # by colour code to complete the reference number | Colour codes: □ 1 | ■ 2 | ■ 3 | ■ 6
View related components on page 160



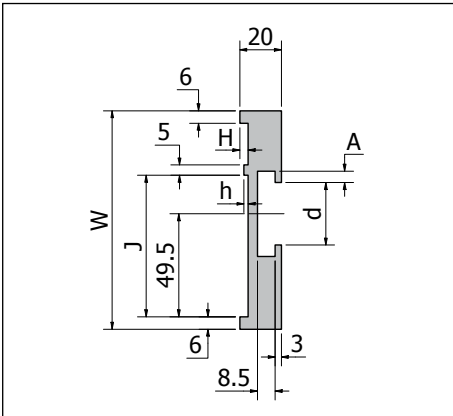
Ref.	L	Kg/m	Std.	MTO
P#0450L3	3	0.33	■	
P#0450L6	6	0.33		■

Standard material: Self-lubricating polyethylene.
 On demand options: Different colours available | Dimensions in mm | L dimension in meters
 Replace # by colour code to complete the reference number | Colour codes: □ 1 | ■ 2 | ■ 3 | ■ 6
View related components on page 161



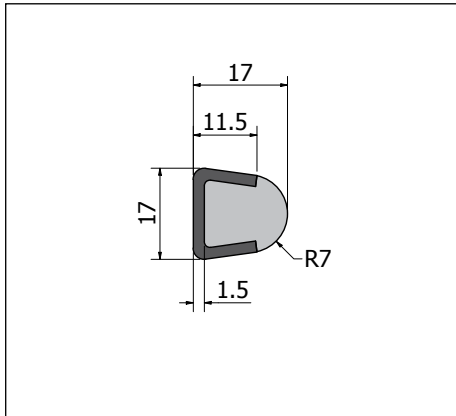
Ref.	L	Kg/m	Std.
P#0703L2	2	1.18	■

Standard material: UHMW-PE "DESLIDUR"
 On demand options: Different colours and dimensions available | Dimensions in mm | L dimension in meters
 Replace # by colour code to complete the reference number | Colour codes: □ 1 | ■ 2 | ■ 3 | ■ 6



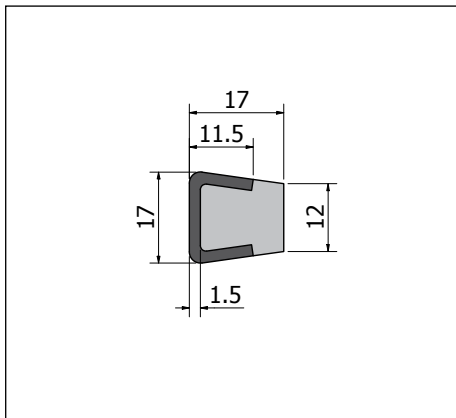
Ref.	W	A	d	H	h	J	L	Kg/m	MTO
P#0708L2	115	5.5	30	4	2.0	80	2	1.35	■
P#0720L2	130	4.5	32	5	3.5	100	2	1.47	■

Standard material: UHMW-PE "DESLIDUR"
 On demand options: Different colours and dimensions available | Dimensions in mm | L dimension in meters
 Replace # by colour code to complete the reference number | Colour codes: □ 1 | ■ 2 | ■ 3 | ■ 6



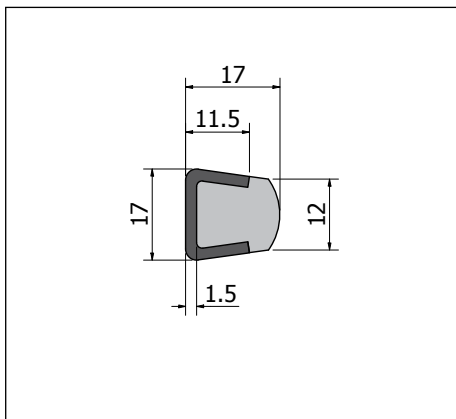
Ref.	Guide	L	Kg/m	Std.	MTO
CSS#0005L2	C1712SS	2		<input type="checkbox"/>	<input checked="" type="checkbox"/>
CSS#0005L3	C1712SS	3	0.67	<input type="checkbox"/>	<input checked="" type="checkbox"/>
CSS#0005L6	C1712SS	6		<input type="checkbox"/>	<input checked="" type="checkbox"/>

Profile material: Deslidur | Guide material: Stainless steel
 On demand options: Different colours and dimensions available
 Dimensions in mm | L dimension in meters | **Best seller**
 Replace # by colour code to complete the reference number | Colour codes: 1 | 2 | 3 | 6



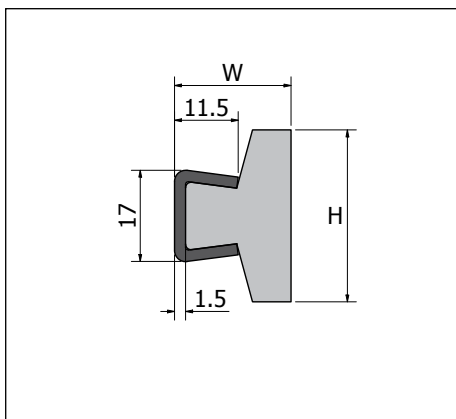
Ref.	Guide	L	Kg/m	Std.	MTO
CSS#0010L2	C1712SS	2		<input type="checkbox"/>	<input type="checkbox"/>
CSS#0010L3	C1712SS	3	0.69	<input type="checkbox"/>	<input checked="" type="checkbox"/>
CSS#0010L6	C1712SS	6		<input type="checkbox"/>	<input type="checkbox"/>

Profile material: Deslidur | Guide material: Stainless steel
 On demand options: Different colours and dimensions available | Dimensions in mm | L dimension in meters
 Replace # by colour code to complete the reference number | Colour codes: 1 | 2 | 3 | 6
 Could be used with roller chain ANSI 60



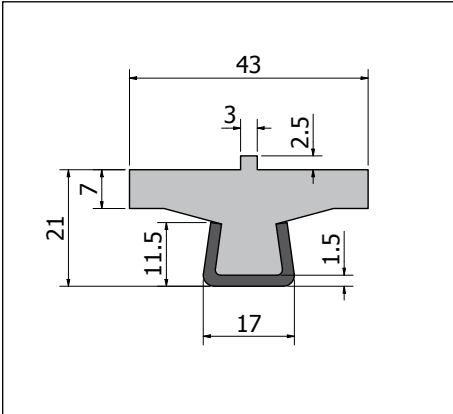
Ref.	Guide	L	Kg/m	Std.	MTO
CSS#0015L2	C1712SS	2		<input type="checkbox"/>	<input type="checkbox"/>
CSS#0015L3	C1712SS	3	0.69	<input type="checkbox"/>	<input checked="" type="checkbox"/>
CSS#0015L6	C1712SS	6		<input type="checkbox"/>	<input type="checkbox"/>

Profile material: Deslidur | Guide material: Stainless steel
 On demand options: Different colours and dimensions available | Dimensions in mm | L dimension in meters
 Replace # by colour code to complete the reference number | Colour codes: 1 | 2 | 3 | 6



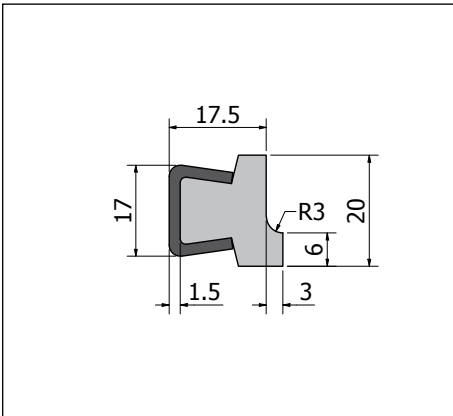
Ref.	W	H	Guide	L	Kg/m	Std.	MTO
CSS#0020	20.5	20	C1712SS	3	0.74	<input type="checkbox"/>	<input checked="" type="checkbox"/>
CSS#0025	20.5	25	C1712SS	3	0.78	<input type="checkbox"/>	<input checked="" type="checkbox"/>
CSS#0030	21	31	C1712SS	3	0.82	<input type="checkbox"/>	<input checked="" type="checkbox"/>
CSS#0035	21	40	C1712SS	3	0.88	<input type="checkbox"/>	<input checked="" type="checkbox"/>
CSS#0037L2	21	50	C1712SS	2	0.95	<input type="checkbox"/>	<input checked="" type="checkbox"/>
CSS#0039L2	21	60	C1712SS	2	1.02	<input type="checkbox"/>	<input checked="" type="checkbox"/>

Profile material: Deslidur | Guide material: Stainless steel
 On demand options: Different colours and dimensions available
 Dimensions in mm | L dimension in meters | **Best seller**
 Replace # by colour code to complete the reference number | Colour codes: 1 | 2 | 3 | 6



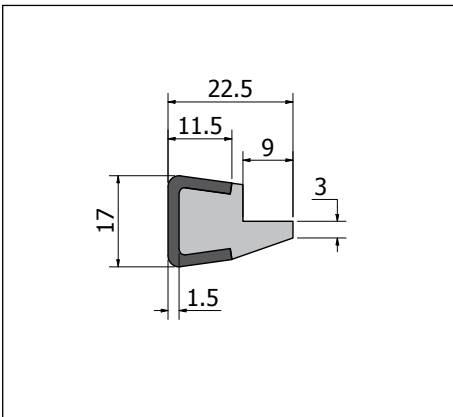
Ref.	Guide	L	Kg/m	Std.	MTO
CSS#0040L2	C1712SS	2	0.89		<input type="checkbox"/> <input checked="" type="checkbox"/>
CSS#0040L3	C1712SS	3		<input type="checkbox"/>	<input checked="" type="checkbox"/>
CSS#0040L6	C1712SS	6			<input type="checkbox"/> <input checked="" type="checkbox"/>

Profile material: Deslidur | Guide material: Stainless steel
 On demand options: Different colours and dimensions available | Dimensions in mm | L dimension in meters
 Replace # by colour code to complete the reference number | Colour codes: 1 | 2 | 3 | 6



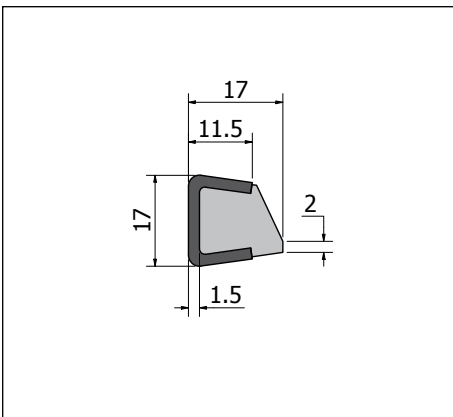
Ref.	Guide	L	Kg/m	Std.	MTO
CSS#0022L2	C1712SS	2			<input type="checkbox"/> <input checked="" type="checkbox"/>
CSS#0022L3	C1712SS	3	0.71	<input type="checkbox"/>	<input checked="" type="checkbox"/>
CSS#0022L6	C1712SS	6			<input type="checkbox"/> <input checked="" type="checkbox"/>

Profile material: Deslidur | Guide material: Stainless steel
 On demand options: Different colours and dimensions available | Dimensions in mm | L dimension in meters
 Replace # by colour code to complete the reference number | Colour codes: 1 | 2 | 3 | 6



Ref.	Guide	L	Kg/m	Std.	MTO
CSS#0045L2	C1712SS	2			<input type="checkbox"/> <input checked="" type="checkbox"/>
CSS#0045L3	C1712SS	3	0.71	<input type="checkbox"/>	<input checked="" type="checkbox"/>
CSS#0045L6	C1712SS	6			<input type="checkbox"/> <input checked="" type="checkbox"/>

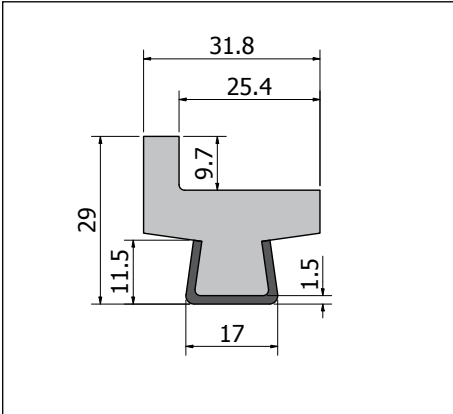
Profile material: Deslidur | Guide material: Stainless steel
 On demand options: Different colours and dimensions available | Dimensions in mm | L dimension in meters
 Replace # by colour code to complete the reference number | Colour codes: 1 | 2 | 3 | 6



Ref.	Guide	L	Kg/m	Std.	MTO
CSS#0046L2	C1712SS	2			<input type="checkbox"/> <input checked="" type="checkbox"/>
CSS#0046L3	C1712SS	3	0.65	<input type="checkbox"/>	<input checked="" type="checkbox"/>
CSS#0046L6	C1712SS	6			<input type="checkbox"/> <input checked="" type="checkbox"/>

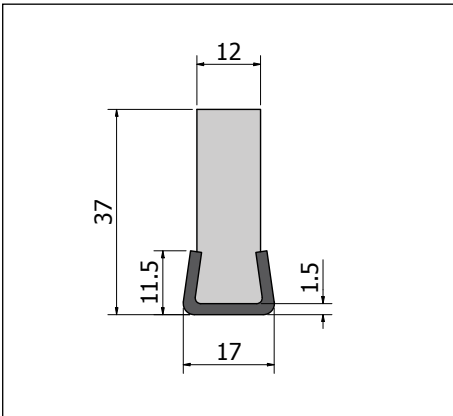
Profile material: Deslidur | Guide material: Stainless steel
 On demand options: Different colours and dimensions available | Dimensions in mm | L dimension in meters
 Replace # by colour code to complete the reference number | Colour codes: 1 | 2 | 3 | 6





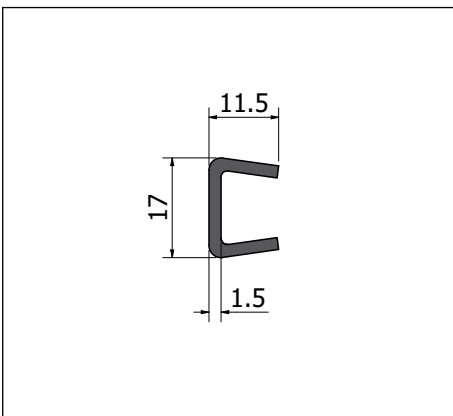
REF.	Guide	L	Kg/m	Std.	MTO
C#0059	-	2	0.47		□
CSS#0059L2	C1712SS	2	0.92		□
CSS#0059L3	C1712SS	3	0.92	□	

Profile material: Deslidur | Guide material: Stainless steel
 On demand options: Different colours and dimensions available | Dimensions in mm | L dimension in meters
 Replace # by colour code to complete the reference number | Colour codes: □1 | ■2 | ■3 | ■6



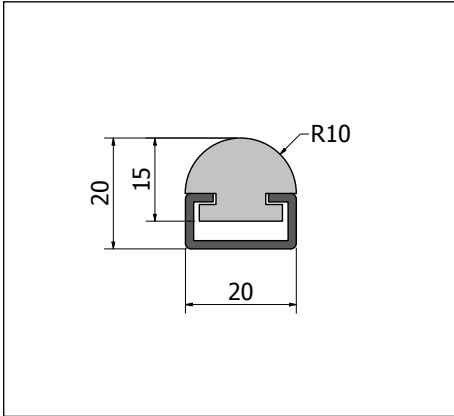
Ref.	Guide	L	Kg/m	Std.	MTO
CSS#0060	C1712SS	3	0.89	□	■

Profile material: Deslidur | Guide material: Stainless steel
 On demand options: Different colours and dimensions available | Dimensions in mm | L dimension in meters
 Replace # by colour code to complete the reference number | Colour codes: □1 | ■2 | ■3 | ■6
 Could be used with roller chain ISO 12 B1



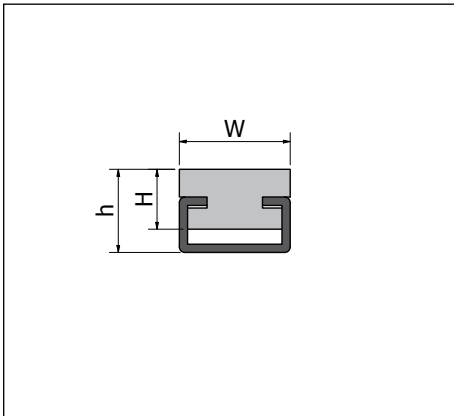
Ref.	L	Kg/m
C1712SSL2	2	0.45
C1712SSL3	3	0.45

Standard Material: Stainless Steel | Dimensions in mm | L dimension in meters



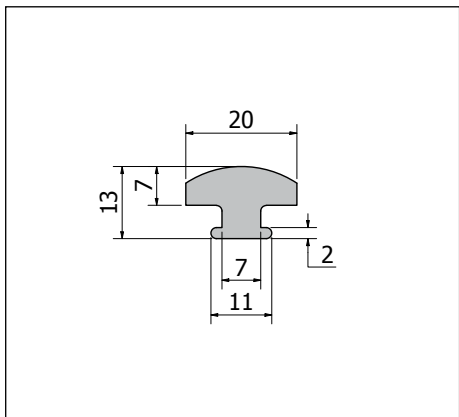
Ref.	Guide	L	Kg/m	Std.	MTO
⊕ P#0350	-	50	0.21	■	■
PSS#0350L2	C 2010 SS	2	0.70	■	
⊕ PSS#0350L3	C 2010 SS	3	0.70	■ ■	
PZN#0350L2	C 2010	2	0.70		■ ■
PZN#0350L3	C 2010	3	0.70	■	■

Profile material: Deslidur | On demand options: Different colours available
 Dimensions in mm | L dimension in meters | ⊕ Best seller
 Replace # by colour code to complete the reference number | Colour codes: □ 1 | ■ 2 | ■ 3 | ■ 6



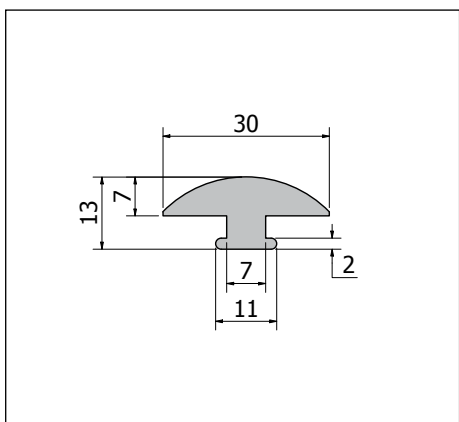
Ref.	W	H	h	Guide	L	Kg/m	Std.
P#0352	20	10	15	-	50	0.16	■
P#0354	18	6	13	-	50	0.08	■
PSS#0352L2	20	10	15	C 2010 SS	2	0.65	■
PSS#0352L3	20	10	15	C 2010 SS	3	0.65	■
PZN#0352L2	20	10	15	C 2010	2	0.65	■
PZN#0352L3	20	10	15	C 2010	3	0.65	■

Profile material: Deslidur | On demand options: Different colours available | Dimensions in mm | L dimension in meters
 Replace # by colour code to complete the reference number | Colour codes: □ 1 | ■ 2 | ■ 3 | ■ 6



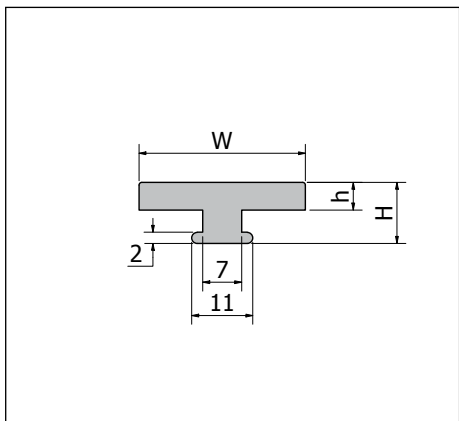
Ref.	L	Kg/m	MTO
P#0600L2	2	0.17	■

Standard material: UHMW-PE "DESLIDUR"
 On demand options: Different colours available | Dimensions in mm | L dimension in meters
 Replace # by colour code to complete the reference number | Colour codes: □ 1 | ■ 2 | ■ 3 | ■ 6



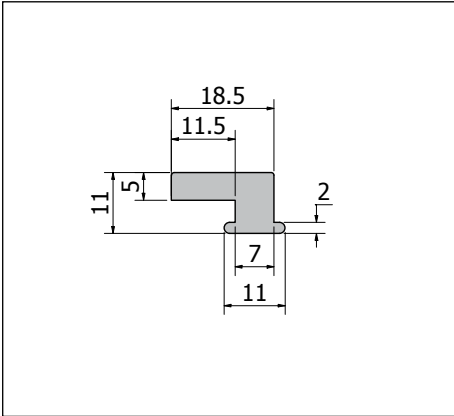
Ref.	L	Kg/m	MTO
P#0620L2	2	0.24	■ ■

Standard material: UHMW-PE "DESLIDUR"
 On demand options: Different colours available | Dimensions in mm | L dimension in meters
 Replace # by colour code to complete the reference number | Colour codes: □ 1 | ■ 2 | ■ 3 | ■ 6



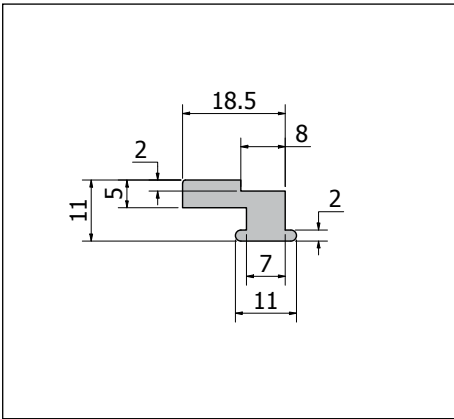
Ref.	W	H	h	L	Kg/m	MTO
P#0604L2	25	11	5	2	0.16	■
P#0605L2	25	10	4	2	0.15	■
P#0606L2	30	11	5	2	0.18	■
P#0610L2	20	11	5	2	0.15	■
P#0621	20	20	14	2	0.3	■

Standard material: UHMW-PE "DESLIDUR"
 On demand options: Different colours and dimensions available | Dimensions in mm | L dimension in meters
 Replace # by colour code to complete the reference number | Colour codes: □ 1 | ■ 2 | ■ 3 | ■ 6



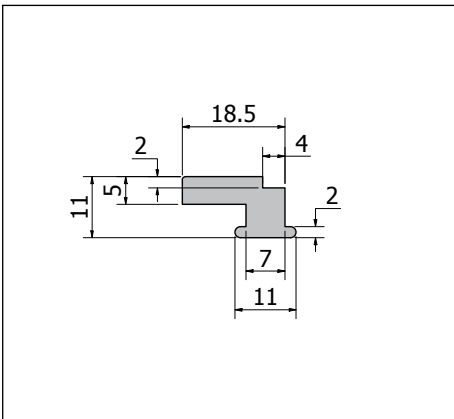
Ref	L	Kg/m	MTO
P#0612L2	2	0.10	■ ■

Standard material: UHMW-PE "DESLIDUR"
 On demand options: Different colours available | Dimensions in mm | L dimension in meters
 Replace # by colour code to complete the reference number | Colour codes: □ 1 | ■ 2 | ■ 3 | ■ 6



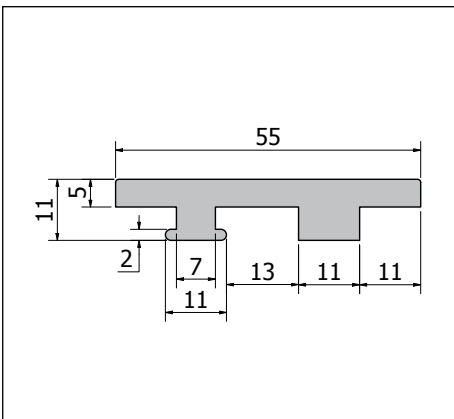
Ref	L	Kg/m	MTO
P#0614L2	2	0.11	■ ■

Standard material: UHMW-PE "DESLIDUR"
 On demand options: Different colours available | Dimensions in mm | L dimension in meters
 Replace # by colour code to complete the reference number | Colour codes: □ 1 | ■ 2 | ■ 3 | ■ 6



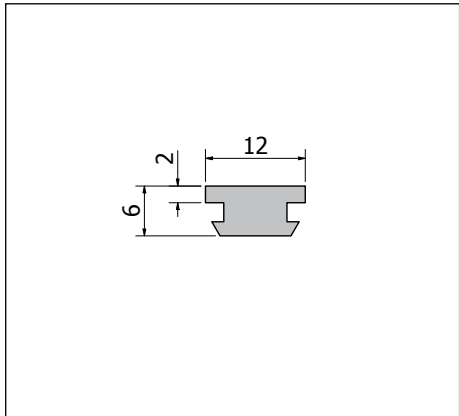
Ref	L	Kg/m	MTO
P#0616L2	2	0.12	■ ■

Standard material: UHMW-PE "DESLIDUR"
 On demand options: Different colours available | Dimensions in mm | L dimension in meters
 Replace # by colour code to complete the reference number | Colour codes: □ 1 | ■ 2 | ■ 3 | ■ 6



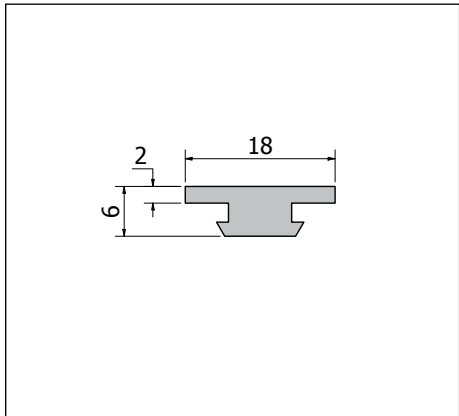
Ref.	L	Kg/m	MTO
P#0608	2	0.37	■

Standard material: UHMW-PE "DESLIDUR"
 On demand options: Different colours available | Dimensions in mm | L dimension in meters
 Replace # by colour code to complete the reference number | Colour codes: □ 1 | ■ 2 | ■ 3 | ■ 6



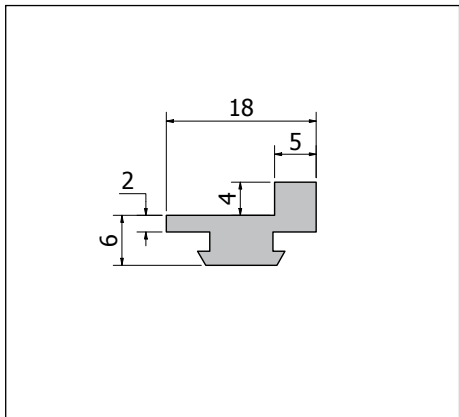
Ref.	Guide	L	Kg/m	MTO
P#0840L2	-	2	0.07	<input type="checkbox"/> <input checked="" type="checkbox"/>
P#0840L3	-	3	0.07	<input type="checkbox"/> <input checked="" type="checkbox"/>
PAA#0840L2	A 12052	2	0.37	<input type="checkbox"/> <input checked="" type="checkbox"/>
PAA#0840L3	A 12052	3	0.37	<input type="checkbox"/> <input checked="" type="checkbox"/>

Standard material: UHMW-PE "DESLIDUR"
 On demand options: Different colours and dimensions available | Dimensions in mm | L dimension in meters
 Replace # by colour code to complete the reference number | Colour codes: 1 | 2 | 3 | 6



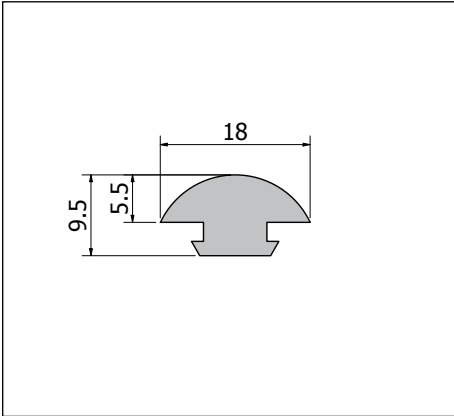
Ref.	Guide	L	Kg/m	Std.	MTO
P#0845L2	-	2	0.09	<input type="checkbox"/>	<input checked="" type="checkbox"/>
P#0845L3	-	3	0.09	<input type="checkbox"/>	<input checked="" type="checkbox"/>
PAA#0845L2	A 12052	2	0.39	<input type="checkbox"/>	<input checked="" type="checkbox"/>
PAA#0845L3	A 12052	3	0.39	<input type="checkbox"/>	<input type="checkbox"/>

Standard material: UHMW-PE "DESLIDUR"
 On demand options: Different colours and dimensions available | Dimensions in mm | L dimension in meters
 Replace # by colour code to complete the reference number | Colour codes: 1 | 2 | 3 | 6



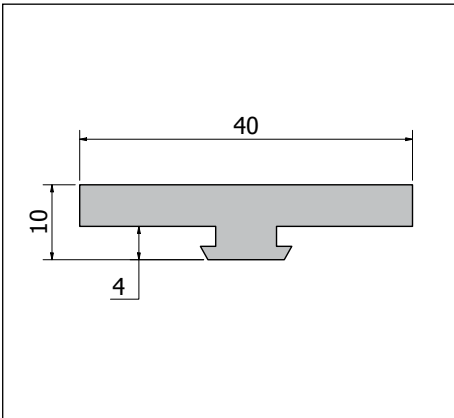
Ref.	Guide	L	Kg/m	Std.	MTO
P#0850	-	2	0.15	<input checked="" type="checkbox"/>	<input type="checkbox"/> <input checked="" type="checkbox"/>
PAA#0850	A 12052	2	0.45	<input checked="" type="checkbox"/>	<input type="checkbox"/>

Standard material: UHMW-PE "DESLIDUR"
 On demand options: Different colours and dimensions available | Dimensions in mm | L dimension in meters
 Replace # by colour code to complete the reference number | Colour codes: 1 | 2 | 3 | 6



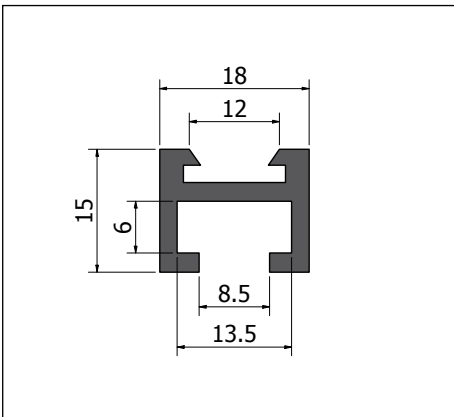
Ref.	Guide	L	Kg/m	Std.	MTO
P#0860L2	-	2	0.13	□ ■	■
P#0860L3	-	3	0.13	□ ■	■
PAA#0860L2	A 12052	2	0.43	□ ■ ■	□ ■ ■

Standard material: UHMW-PE "DESLIDUR"
 On demand options: Different colours and dimensions available | Dimensions in mm | L dimension in meters
 Replace # by colour code to complete the reference number | Colour codes: □ 1 | ■ 2 | ■ 3 | ■ 6



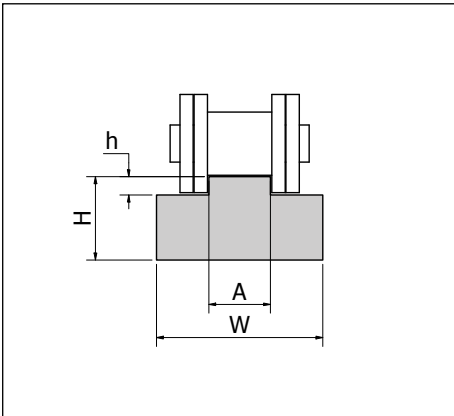
Ref.	Guide	L	Kg/m	Std.	MTO
P#0865	-	2	0.27	□	■
PAA#0865	A 12052	2	0.57	□	■

Standard material: UHMW-PE "DESLIDUR"
 On demand options: Different colours and dimensions available | Dimensions in mm | L dimension in meters
 Replace # by colour code to complete the reference number | Colour codes: □ 1 | ■ 2 | ■ 3 | ■ 6



Ref.	L	Kg/m
A12052L2	2	0.30
A12052L3	3	0.30
A12052L6	6	0.30

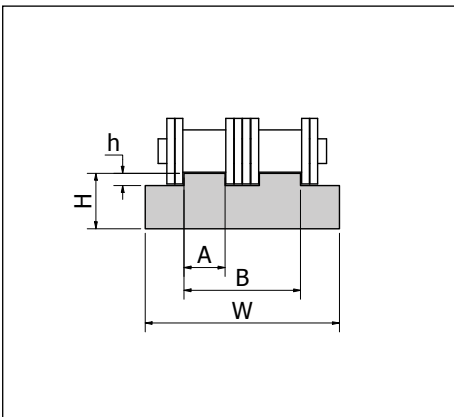
Standard material: Aluminium | Dimensions in mm | L dimension in meters



Ref.	Chain (ISO)	Pitch	W	H	A	h	L	Kg/m	Delivery
S1	06 B1	3/8"	15	10	5.4	1.5	2	0.13	Std
S2	08 B1	1/2"	20	10	7.4	2.2	2	0.16	Std
S215	08 B1	1/2"	20	15	7.4	2.2	2	0.26	Std
S3	10 B1	5/8"	20	10	9.2	2.6	2	0.16	Std
S315	10 B1	5/8"	20	15	9.2	2.6	2	0.26	Std
S4	12 B1	3/4"	25	10	11.3	2.4	2	0.21	Std
S415	12 B1	3/4"	25	15	11.3	2.4	2	0.32	Std
S5	16 B1	1"	40	15	16.5	3.5	2	0.47	Std
S520	16 B1	1"	40	20	16.5	3.5	2	0.66	MTO
S6	20 B1	1 1/4"	45	15	19	4.3	2	0.53	Std
S620	20 B1	1 1/4"	45	20	19	4.3	2	0.72	MTO
S7	24 B1	1 1/2"	60	15	24.6	5.6	2	0.78	MTO
S8	28 B1	1 3/4"	75	20	30	6.9	2	1.13	MTO
S9	32 B1	2"	85	20	30	7.8	2	1.21	MTO

Standard material: UHMW-PE "DESLIDUR"

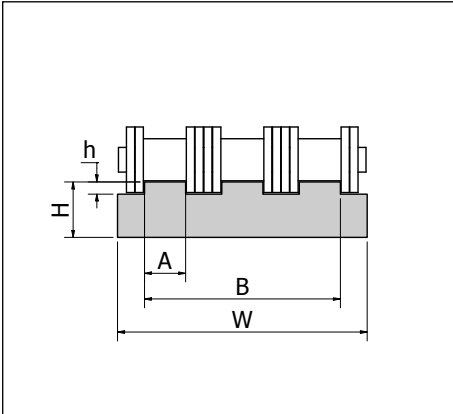
On demand options: Different colours and dimensions available | Dimensions in mm | L dimension in meters



Ref.	Chain (ISO)	Pitch	W	H	A	h	B	L	Kg/m	Delivery
D1	06 B2	3/8"	25	10	5.4	1.5	16	2	0.23	Std
D2	08 B2	1/2"	35	10	7.4	2.2	21	2	0.31	Std
D215	08 B2	1/2"	35	15	7.4	2.2	21	2	0.44	MTO
D3	10 B2	5/8"	40	10	9.2	2.6	26	2	0.34	Std
D315	10 B2	5/8"	40	15	9.2	2.6	26	2	0.52	Std
D4	12 B2	3/4"	45	10	11.3	2.4	31	2	0.40	Std
D415	12 B2	3/4"	45	15	11.3	2.4	31	2	0.60	MTO
D5	16 B2	1"	48	15	16.5	3.5	48	2	0.86	Std
D520	16 B2	1"	48	20	16.5	3.5	48	2	1.16	MTO
D6	20 B2	1 1/4"	55	15	19	4.3	55	2	0.91	MTO
D620	20 B2	1 1/4"	55	20	19	4.3	55	2	1.23	MTO
D7	24 B2	1 1/2"	72	20	24.6	5.6	72	2	1.50	MTO
D8	28 B2	1 3/4"	89	20	30	6.9	89	2	1.79	MTO
D9	32 B2	2"	89	20	30	7.8	89	2	1.75	MTO

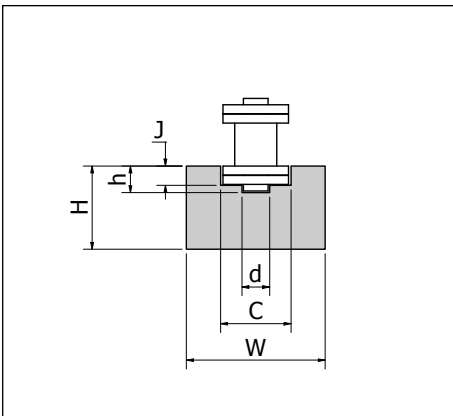
Standard material: UHMW-PE "DESLIDUR"

On demand options: Different colours and dimensions available | Dimensions in mm | L dimension in meters



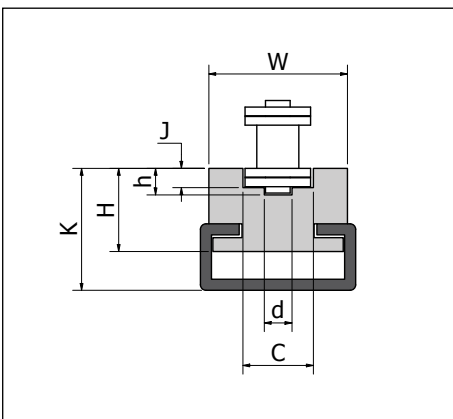
Ref.	Chain (ISO)	Pitch	W	H	A	h	B	L	Kg/m	Delivery
T1	06 B3	3/8"	35	10	5.4	1.5	25.9	2	0.31	MTO
T2	08 B3	1/2"	45	10	7.4	2.2	35.3	2	0.38	MTO
T215	08 B3	1/2"	45	15	7.4	2.2	35.3	2	0.59	MTO
T220	08 B3	1/2"	45	20	7.4	2.2	35.3	2	0.81	MTO
T3	10 B3	5/8"	55	10	9.2	2.6	42.5	2	0.45	MTO
T4	12 B3	3/4"	65	10	11.3	2.4	50.3	2	0.55	MTO
T5	16 B3	1"	95	15	16.5	3.5	80.3	2	1.17	MTO
T6	20 B3	1 1/4"	92	15	19	4.3	92	2	1.30	MTO
T7	24 B3	1 1/2"	121	20	24.6	5.6	121	2	2.25	MTO
T8	28 B3	1 3/4"	149	25	30	6.9	149	2	3.52	MTO
T9	32 B3	2"	149	30	30	7.8	149	2	4.26	MTO

Standard material: UHMW-PE "DESLIDUR"
 On demand options: Different colours and dimensions available | Dimensions in mm | L dimension in meters



Ref.	Chain (ISO)	Pitch	W	H	C	h	J	d	L	Kg/m	Delivery
U1	06 B	3/8"	20	15	9.2	4.2	2.8	4	2	0.26	MTO
U2	08 B	1/2"	25	15	12.7	4.8	3.5	5	2	0.31	MTO
U3	10 B	5/8"	25	15	15.2	5.1	3.6	6	2	0.29	MTO
U4	12 B	3/4"	25	20	16.7	5.7	3.9	7	2	0.43	MTO
U5	16 B	1"	35	25	24.4	10	8.4	9	2	0.62	MTO

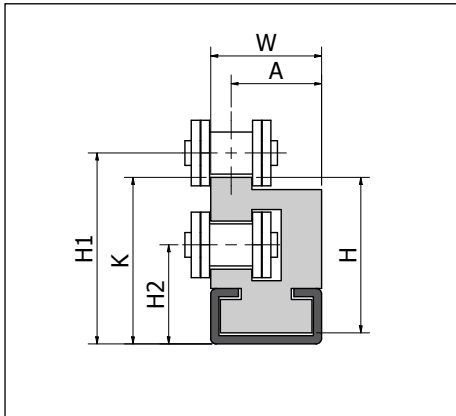
Standard material: UHMW-PE "DESLIDUR"
 On demand options: Different colours and dimensions available | Dimensions in mm | L dimension in meters



Ref.	Metal guide	Chain (ISO)	Pitch	W	H	K	h	J	d	C	L	Kg/m	Delivery
UCG1	C 2010	06 B	3/8"	20	10	15	4.2	2.8	4	9.2	2	0.72	Std
UCG1SS	C 2010 SS	06 B	3/8"	20	10	15	4.2	2.8	4	9.2	2	0.72	MTO
UCG2	C 2812	08 B	1/2"	25	15	22	4.8	3.5	5	12.7	2	1.14	MTO
UCG2SS	C 2812 SS	08 B	1/2"	25	15	22	4.8	3.5	5	12.7	2	1.14	MTO
UCG3	C 2812	10 B	5/8"	25	15	22	5.1	3.6	6	15.2	2	1.13	MTO
UCG3SS	C 2812 SS	10 B	5/8"	25	15	22	5.1	3.6	6	15.2	2	1.13	MTO
UCG4	C 2812	12 B	3/4"	25	20	27	5.7	3.9	7	16.7	2	1.27	MTO
UCG4SS	C 2812 SS	12 B	3/4"	25	20	27	5.7	3.9	7	16.7	2	1.27	MTO
UCG5	C 3818	16 B	1"	35	25	33	10	8.4	9	24.4	2	2.03	MTO
UCG5SS	C 3818 SS	16 B	1"	35	25	33	10	8.4	9	24.4	2	2.03	MTO

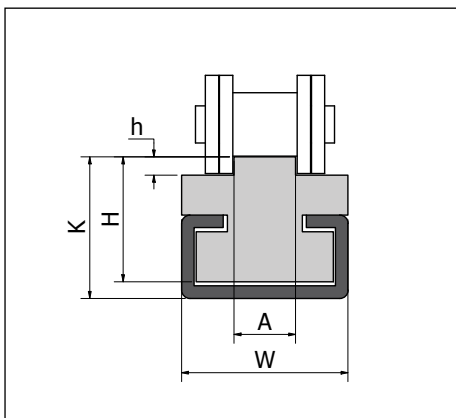
Standard profile material: UHMW-PE "DESLIDUR" | Metal guide material: ZN or SS
 On demand options: Different colours and dimensions available | Dimensions in mm | L dimension in meters





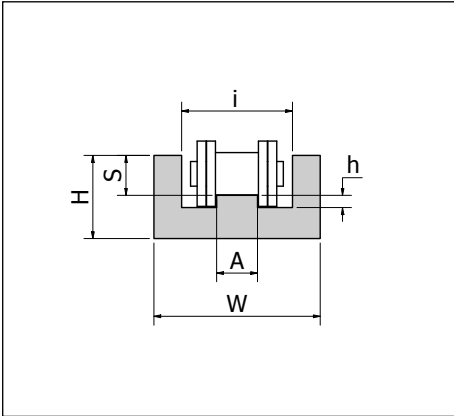
Ref.	Metal guide	Chain (ISO)	Pitch	W	H	H1	H2	A	K	L	Kg/m	Delivery
2PCG1	C 2010	06 B1	3/8"	17	25	30	17	14.5	27	2	0.90	MTO
2PCG1 SS	C 2010 SS	06 B1	3/8"	17	25	30	17	14.5	27	2	0.90	MTO
2PCG2	C 2010	08 B1	1/2"	20	28	34	18	16.5	30	2	0.96	MTO
2PCG2 SS	C 2010 SS	08 B1	1/2"	20	28	34	18	16.5	30	2	0.96	MTO
2PCG3	C 2010	10 B1	5/8"	20	33	41	21	15.5	36	2	1.12	MTO
2PCG3 SS	C 2010 SS	10 B1	5/8"	20	33	41	21	15.5	36	2	1.12	MTO
2PCG4	C 2812	12 B1	3/4"	24	37	46.5	24	18.6	41	2	1.70	MTO
2PCG4 SS	C 2812 SS	12 B1	3/4"	24	37	46.5	24	18.6	41	2	1.70	MTO
2PCG5	C 3818	16 B1	1"	33.5	51	62	34	25	54	2	3.10	MTO
2PCG5 SS	C 3818 SS	16 B1	1"	33.5	51	62	34	25	54	2	3.10	MTO

Standard profile material: UHMW-PE "DESLIDUR" | Metal guide material: ZN or SS
 On demand options: Different colours and dimensions available | Dimensions in mm | L dimension in meters



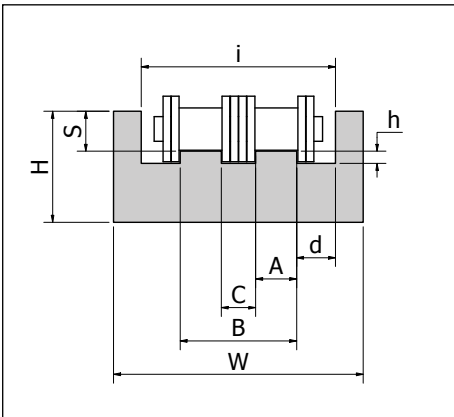
Ref.	Metal guide	Chain (ISO)	Pitch	W	H	K	h	A	L	Kg/m	Delivery
TCG1	C 2010	06 B1	3/8"	20	15	17	1.5	5.4	2	0.62	Std
TCG1SS	C 2010 SS	06 B1	3/8"	20	15	17	1.5	5.4	2	0.62	Std
TCG2	C 2010	08 B1	1/2"	20	15	17	2.2	7.4	2	0.69	Std
TCG2SS	C 2010 SS	08 B1	1/2"	20	15	17	2.2	7.4	2	0.69	Std
TCG3	C 2010	10 B1	5/8"	20	15	17	2.6	9.2	2	0.70	Std
TCG3SS	C 2010 SS	10 B1	5/8"	20	15	17	2.6	9.2	2	0.70	Std
TCG4	C 2812	12 B1	3/4"	28	15	18	2.4	11.3	2	1.17	Std
TCG4SS	C 2812 SS	12 B1	3/4"	28	15	18	2.4	11.3	2	1.17	Std
TCG4R	C 2010	12 B1	3/4"	20	15	17	2.5	11.3	2	0.72	MTO
TCG4RSS	C 2010 SS	12 B1	3/4"	20	15	17	2.5	11.3	2	0.72	MTO
TCG5	C 2812	16 B1	1"	28	20	24	3.5	16.5	2	2.24	MTO
TCG5SS	C 2812 SS	16 B1	1"	28	20	24	3.5	16.5	2	2.24	MTO
TCG5R	C 2812	16 B1	1"	28	15	18	3.5	16.5	2	1.25	MTO
TCG5RSS	C 2812 SS	16 B1	1"	28	15	18	3.5	16.5	2	1.25	MTO
TCG6	C 3818	20 B1	1 1/4"	38	25	30	4.3	19	2	2.30	MTO
TCG6SS	C 3818 SS	20 B1	1 1/4"	38	25	30	4.3	19	2	2.30	MTO
TCG7	C 3818	24 B1	1 1/2"	38	25	30	5.6	24.6	2	2.39	MTO
TCG7SS	C 3818 SS	24 B1	1 1/2"	38	25	30	5.6	24.6	2	2.39	MTO
TCG8	C 3818	28 B1	1 3/4"	38	25	30	6.9	30	2	2.41	MTO
TCG8SS	C 3818 SS	28 B1	1 3/4"	38	25	30	6.9	30	2	2.41	MTO
TCG9	C 3818	32 B1	2"	38	25	30	7.8	30	2	2.48	MTO
TCG9SS	C 3818 SS	32 B1	2"	38	25	30	7.8	30	2	2.48	MTO

Standard profile material: UHMW-PE "DESLIDUR" | Metal guide material: ZN or SS
 On demand options: Different colours and dimensions available | Dimensions in mm | L dimension in meters



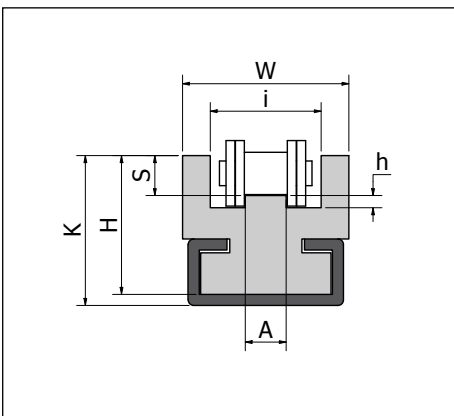
Ref.	Chain (ISO)	Pitch	W	H	i	h	A	S	L	Kg/m	Delivery
UC1	06 B1	3/8"	25	10	15	1.5	5.4	4.4	2	0.17	MTO
UC2	08 B1	1/2"	30	15	20	2.2	7.4	7.2	2	0.27	Std
UC3	10 B1	5/8"	33	20	23	2.6	9.2	9.5	2	0.40	Std
UC4	12 B1	3/4"	38	20	28	2.4	11.3	11.1	2	0.41	Std
UC5	16 B1	1"	51	25	41	3.5	16.5	16.5	2	0.51	Std
UC6	20 B1	1 1/4"	56	30	46	4.3	19	20.7	2	0.72	MTO

Standard material: UHMW-PE "DESLIDUR"
 On demand options: Different colours and dimensions available | Dimensions in mm | L dimension in meters



Ref.	Chain (ISO)	Pitch	W	H	i	h	A	S	B	C	d	L	Kg/m	Delivery
UCD1	06 B2	3/8"	36	15	26	1.5	5.4	4.4	16	5.2	5	2	0.39	Std
UCD2	08 B2	1/2"	45	20	35	2.2	7.4	7.2	21	6.2	7	2	0.62	Std
UCD3	10 B2	5/8"	50	25	40	2.6	9.2	9.5	26	7.6	7	2	0.82	Std
UCD4	12 B2	3/4"	56	25	46	2.4	11.3	11.1	31	8.4	7.5	2	0.81	Std
UCD5	16 B2	1"	85	30	75	3.5	16.5	16.5	48.4	15.4	13.3	2	1.20	Std

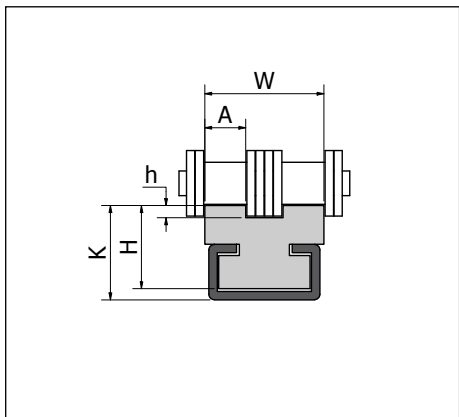
Standard material: UHMW-PE "DESLIDUR"
 On demand options: Different colours and dimensions available | Dimensions in mm | L dimension in meters



Ref.	Metal guide	Chain (ISO)	Pitch	W	H	K	i	h	A	S	L	Kg/m	Delivery
UCCG1	C 2010	06 B1	3/8"	25	15	18	15	1.5	5.4	4.4	2	0.76	Std
UCCG1SS	C 2010 SS	06 B1	3/8"	25	15	18	15	1.5	5.4	4.4	2	0.76	MTO
UCCG2	C 2812	08 B1	1/2"	30	25	27	20	2.2	7.4	7.2	2	1.10	MTO
UCCG2SS	C 2812 SS	08 B1	1/2"	30	25	27	20	2.2	7.4	7.2	2	1.10	MTO
UCCG3	C 2812	10 B1	5/8"	33	30	32	23	2.6	9.2	9.5	2	1.30	MTO
UCCG3SS	C 2812 SS	10 B1	5/8"	33	30	32	23	2.6	9.2	9.5	2	1.30	MTO
UCCG4	C 3818	12 B1	3/4"	38	35	40	28	2.4	11.3	11.1	2	2.33	MTO
UCCG4SS	C 3818 SS	12 B1	3/4"	38	35	40	28	2.4	11.3	11.1	2	2.33	MTO
UCCG5	C 3818	16 B1	1"	51	40	45	41	3.5	16.5	16.5	2	2.44	MTO
UCCG5SS	C 3818 SS	16 B1	1"	51	40	45	41	3.5	16.5	16.5	2	2.44	MTO

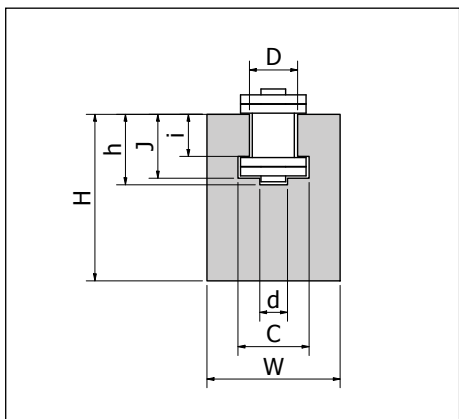
Standard profile material: UHMW-PE "DESLIDUR" | Metal guide material: ZN or SS
 On demand options: Different colours and dimensions available | Dimensions in mm | L dimension in meters





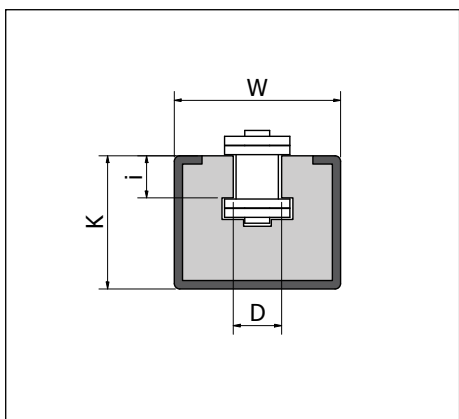
Ref.	Metal guide	Chain (ISO)	Pitch	W	H	K	h	A	L	Kg/m	Delivery
TCGD1	C 2010	06 B2	3/8"	16	10	15	1.5	5.4	2	0.61	MTO
TCGD1SS	C 2010 SS	06 B2	3/8"	16	10	15	1.5	5.4	2	0.61	MTO
TCGD2	C 2010	08 B2	1/2"	21	15	17	2.2	7.4	2	0.71	MTO
TCGD2SS	C 2010 SS	08 B2	1/2"	21	15	17	2.2	7.4	2	0.71	MTO
TCGD3	C 2812	10 B2	5/8"	26	15	17	2.6	9.2	2	1.16	MTO
TCGD3SS	C 2812 SS	10 B2	5/8"	26	15	17	2.6	9.2	2	1.16	MTO
TCGD4	C 2812	12 B2	3/4"	31	15	18	2.4	11.3	2	1.20	MTO
TCGD4SS	C 2812 SS	12 B2	3/4"	31	15	18	2.4	11.3	2	1.20	MTO

Standard profile material: UHMW-PE "DESLIDUR" | Metal guide material: ZN or SS
 On demand options: Different colours and dimensions available | Dimensions in mm | L dimension in meters



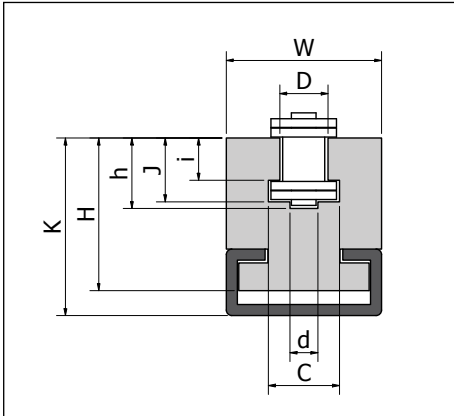
Ref.	Chain (ISO)	Pitch	W	H	C	h	i	J	d	D	L	Kg/m	Delivery
GH1	06 B	3/8"	20	25	9.3	10	5.6	8.7	4	6.6	2	0.41	Std
GH2	08 B	1/2"	24	30	12.8	12.7	7.6	11.5	5	8.7	2	0.56	Std
GH3	10 B	5/8"	30	35	15.4	14.8	9.5	13.5	6	10.4	2	0.83	Std
GH4	12 B	3/4"	40	35	16.9	17.5	11.5	15.9	7	12.3	2	1.11	Std
GH5	16 B	1"	40	45	24.4	28.2	15.9	25.7	9	16.2	2	1.23	Std
GH6	20 B	1 1/4"	50	50	27.5	31.2	19.4	29.3	11	19.3	2	1.73	MTO
GH7	24 B	1 1/2"	60	60	36.5	40.1	25.2	38.2	16	25.7	2	2.33	MTO
GH8	28 B	1 3/4"	70	70	41.5	48.9	30.8	46.9	17	28.3	2	3.17	MTO
GH9	32 B	2"	75	75	44.5	53	30.8	47.3	19	29.6	2	3.26	MTO

Standard material: UHMW-PE "DESLIDUR"
 On demand options: Different colours and dimensions available | Dimensions in mm | L dimension in meters



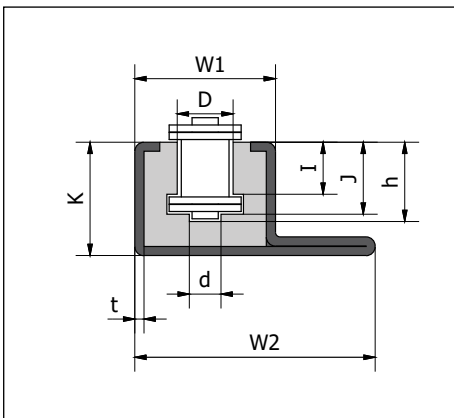
Ref.	Metal Guide	Chain (ISO)	Pitch	W	K	i	D	L	Kg/m	Delivery
GHCG1	C 3024	06 B	3/8"	30	24	5.6	6.6	2	1.37	Std
GHCG1SS	C 3024 SS	06 B	3/8"	30	24	5.6	6.6	2	1.37	Std
GHCG2	C 3024	08 B	1/2"	30	24	7.6	8.7	2	1.35	Std
GHCG2SS	C 3024 SS	08 B	1/2"	30	24	7.6	8.7	2	1.35	Std
GHCG3	C 3024	10 B	5/8"	30	24	9.3	10.4	2	1.30	Std
GHCG3SS	C 3024 SS	10 B	5/8"	30	24	9.3	10.4	2	1.30	Std
GHCG4	C 3024	12 B	3/4"	30	24	11.5	12.3	2	1.26	Std
GHCG4SS	C 3024 SS	12 B	3/4"	30	24	11.5	12.3	2	1.26	Std
GHCG5	C 4540	16 B	1"	45	40	15.9	16.2	2	2.93	Std
GHCG5SS	C 4540 SS	16 B	1"	45	40	15.9	16.2	2	2.93	Std

Standard profile material: UHMW-PE "DESLIDUR" | Metal guide material: ZN or SS
 On demand options: Different colours and dimensions available | Dimensions in mm | L dimension in meters



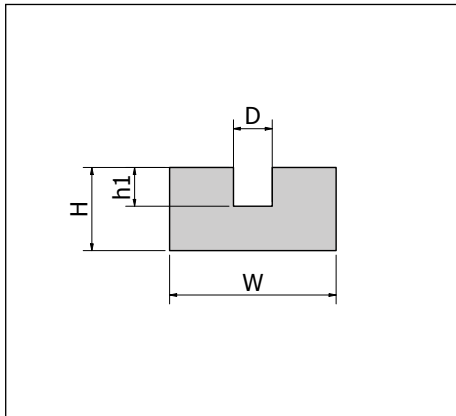
Ref.	Metal guide	Chain (ISO)	Pitch	W	H	K	i	J	h	d	D	C	L	Kg/m	Deliv.
GHLCG1	C 2010	06 B	3/8"	20	17.5	21	5.6	8.7	9.9	4	6.6	9.3	2	0.62	MTO
GHLCG1SS	C 2010 SS	06 B	3/8"	20	17.5	21	5.6	8.7	9.9	4	6.6	9.3	2	0.62	MTO
GHLCG2	C 2812	08 B	1/2"	28	27.5	32	7.6	11.5	12.7	5	8.7	12.8	2	1.45	MTO
GHLCG2SS	C 2812 SS	08 B	1/2"	28	27.5	32	7.6	11.5	12.7	5	8.7	12.8	2	1.45	MTO
GHLCG3	C 2812	10 B	5/8"	28	27.5	32	9.3	13.5	14.8	6	10.4	15.4	2	1.40	MTO
GHLCG3SS	C 2812 SS	10 B	5/8"	28	27.5	32	9.3	13.5	14.8	6	10.4	15.4	2	1.40	MTO
GHLCG4	C 3818	12 B1	3/4"	38	34	43	11.5	15.9	17.5	7	12.3	16.9	2	1.71	MTO
GHLCG4SS	C 3818 SS	12 B1	3/4"	38	34	43	11.5	15.9	17.5	7	12.3	16.9	2	1.71	MTO
GHLCG5	C 3818	16 B	1"	38	40	50	15.9	25.7	28.2	9	16.2	24.4	2	1.60	MTO
GHLCG5SS	C 3818 SS	16 B	1"	38	40	50	15.9	25.7	28.2	9	16.2	24.4	2	1.60	MTO
GHLCG6	C 6020	20 B	1 1/4"	60	45	55	19.4	29.3	31.2	11	19.3	27.5	2	4.80	MTO
GHLCG6SS	C 6020 SS	20 B	1 1/4"	60	45	55	19.4	29.3	31.2	11	19.3	27.5	2	4.80	MTO
GHLCG7	C 6020	24 B	1 1/2"	60	55	65	25.2	38.2	40.1	16	25.7	36.5	2	5.00	MTO
GHLCG7SS	C 6020 SS	24 B	1 1/2"	60	55	65	25.2	38.2	40.1	16	25.7	36.5	2	5.00	MTO
GHLCG8	C 6020	28 B	1 3/4"	70	70	80	30.8	46.9	48.9	17	28.3	41.5	2	6.20	MTO
GHLCG8SS	C 6020 SS	28 B	1 3/4"	70	70	80	30.8	46.9	48.9	17	28.3	41.5	2	6.20	MTO
GHLCG9	C 6020	32 B	2"	70	70	80	30.8	47.3	53	19	29.6	44.5	2	6.20	MTO
GHLCG9SS	C 6020 SS	32 B	2"	70	70	80	30.8	47.3	53	19	29.6	44.5	2	6.20	MTO

Standard profile material: UHMW-PE "DESLIDUR" | Metal guide material: ZN or SS
 On demand options: Different colours and dimensions available | Dimensions in mm | L dimension in meters



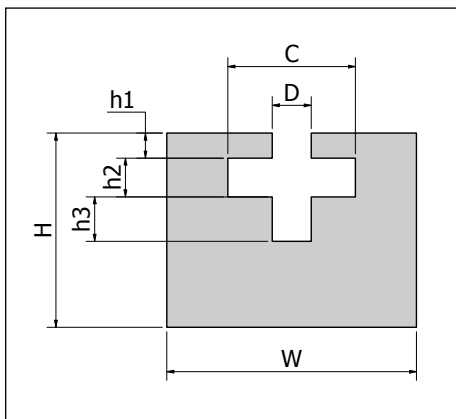
Ref.	Chain (ISO)	Pitch	W1	W2	K	I	J	h	d	D	t	L	Kg/m	Deliv.
GHPCG1	06 B	3/8"	31	53	25	5.6	8.7	9.9	4	6.6	2	2	1.99	MTO
GHPCG1SS	06 B	3/8"	31	53	25	5.6	8.7	9.9	4	6.6	2	2	1.99	MTO
GHPCG2	08 B	1/2"	31	53	25	7.6	11.5	12.7	5	8.7	2	2	1.94	MTO
GHPCG2SS	08 B	1/2"	31	53	25	7.6	11.5	12.7	5	8.7	2	2	1.94	MTO
GHPCG3	10 B	5/8"	31	53	25	9.3	13.5	14.8	6	10.4	2	2	1.90	MTO
GHPCG3SS	10 B	5/8"	31	53	25	9.3	13.5	14.8	6	10.4	2	2	1.90	MTO
GHPCG4	12 B	3/4"	31	53	25	11.5	15.9	17.5	7	12.3	2	2	1.84	MTO
GHPCG4SS	12 B	3/4"	31	53	25	11.5	15.9	17.5	7	12.3	2	2	1.84	MTO

Standard profile material: UHMW-PE "DESLIDUR" | Metal guide material: ZN or SS
 On demand options: Different colours and dimensions available | Dimensions in mm | L dimension in meters



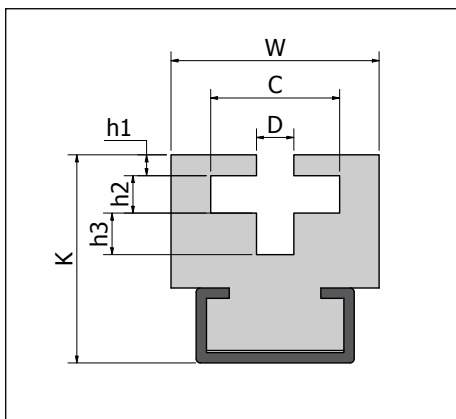
Ref.	W	H	D	h1	L	Kg/m	Delivery
GME06	30	15	7	7	2	0.40	MTO
GME08	35	20	9	9	2	0.61	MTO
GME10	45	25	11	11	2	1.00	MTO
GME13	55	30	15	15	2	1.42	MTO

Standard material: UHMW-PE "DESLIDUR"
 On demand options: Different colours and dimensions available | Dimensions in mm | L dimension in meters



Ref.	W	H	D	C	h1	h2	h3	L	Kg/m	Delivery
GHE06	45	35	7	23	4.5	7	8	2	1.40	MTO
GHE08	50	40	9	31	5	9	10	2	1.74	MTO
GHE10	50	45	11	35	8.5	11	12	2	1.70	MTO
GHE13	60	50	15	47	10.5	15	16	2	2.14	MTO

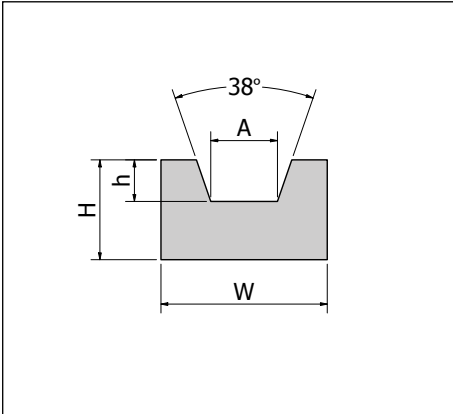
Standard material: UHMW-PE "DESLIDUR"
 On demand options: Different colours and dimensions available | Dimensions in mm | L dimension in meters



Ref.	Metal guide	W	K	D	C	h1	h2	h3	L	Kg/m	Delivery
GHEL06	C 3818	45	45	7	23	4.5	7	8	2	3.20	MTO
GHEL06SS	C 3818 SS	45	45	7	23	4.5	7	8	2	3.20	MTO
GHEL08	C 3818	50	50	9	31	5	9	10	2	3.80	MTO
GHEL08SS	C 3818 SS	50	50	9	31	5	9	10	2	3.80	MTO
GHEL10	C 3818	50	60	11	35	8.5	11	12	2	3.90	MTO
GHEL10SS	C 3818 SS	50	60	11	35	8.5	11	12	2	3.90	MTO
GHEL13	C 6020	60	75	15	47	10.5	15	16	2	5.10	MTO
GHEL13SS	C 6020 SS	60	75	15	47	10.5	15	16	2	5.10	MTO

Standard profile material: UHMW-PE "DESLIDUR" | Metal guide material: ZN or SS
 On demand options: Different colours and dimensions available | Dimensions in mm | L dimension in meters

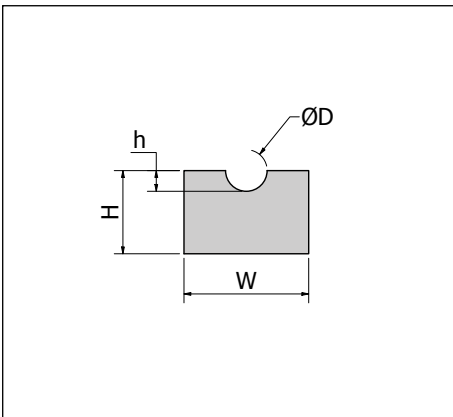
V-Belt Guides



Ref.	W	H	h	A	L	Kg/m	Std.
CT10Z	20	10	3	6.5	2	0.20	■
CT13A	20	12	5	8	2	0.23	■
CT15E	25	12	5	10	2	0.29	■
CT17B	30	15	8	10.5	2	0.43	■
CT22C	35	20	11	13.5	2	0.66	■
CT30D	40	25	13	19	2	0.94	■

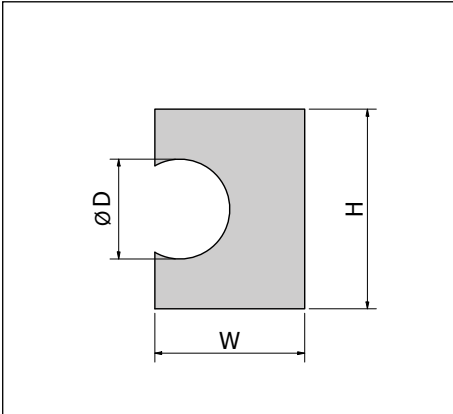
Standard material: UHMW-PE "DESLIDUR" | Dimensions in mm | L dimension in meters

Round Belt Guides



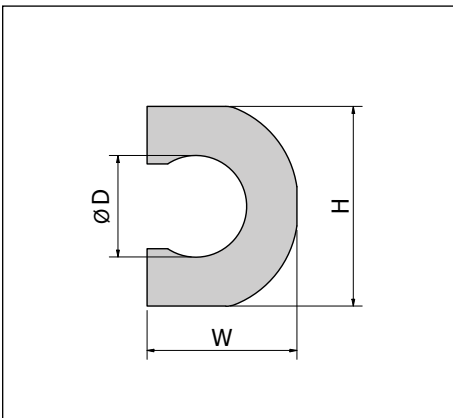
Ref.	W	H	h	ØD	L	Kg/m	Std.
COR04	15	10	2	4	2	0.14	■
COR05	15	10	2.5	5	2	0.14	■
COR06	20	10	3	6	2	0.19	■
COR08	20	10	4	8	2	0.17	■
COR10	25	12	5	10	2	0.26	■
COR12	25	12	6	12	2	0.24	■
COR15	25	15	7.5	15	2	0.29	■
COR20	30	20	10	20	2	0.44	■

Standard material: UHMW-PE "DESLIDUR" | Dimensions in mm | L dimension in meters



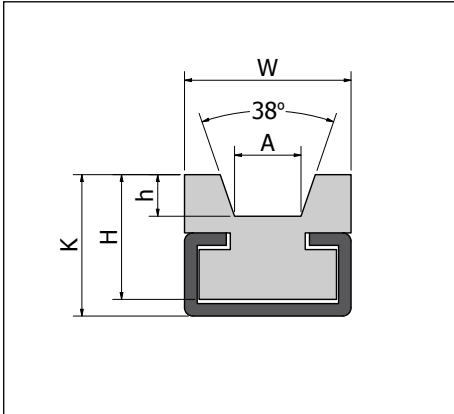
Ref.	W	H	ØD	L	Kg/m	Std.
R08	14	20	8	2	0.21	■
R10	16	22	10	2	0.25	■
R12	18	24	12	2	0.29	■

Standard material: UHMW-PE "DESLIDUR" | Dimensions in mm | L dimension in meters



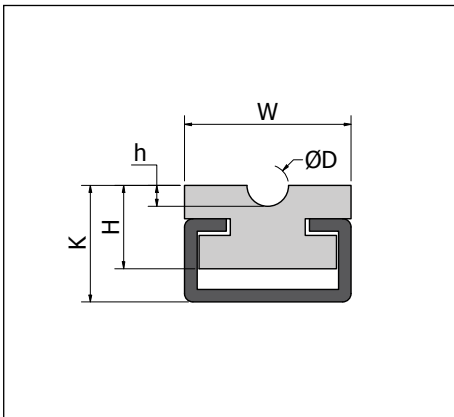
Ref.	W	H	ØD	L	Kg/m	Std.
MCH06	14	20	6	2	0.21	■
MCH08	14	20	8	2	0.19	■
MCH10	16	22	10	2	0.22	■
MCH12	18	24	12	2	0.25	■

Standard material: UHMW-PE "DESLIDUR" | Dimensions in mm | L dimension in meters

Flat Belt, V-Belt and Cable Guides


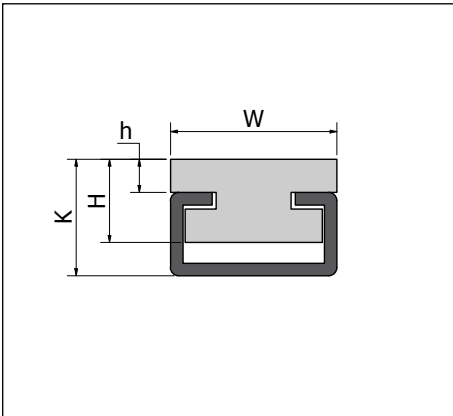
Ref.	Metal guide	W	H	h	K	A	L	Kg/m	Delivery
CTCG10Z	C 2010	20	15	3	17	6.5	2	0.79	MTO
CTCG10ZSS	C 2010 SS	20	15	3	17	6.5	2	0.79	MTO
CTCG13A	C 2010	20	15	5	17	8	2	0.78	MTO
CTCG13ASS	C 2010 SS	20	15	5	17	8	2	0.78	MTO
CTCG15E	C 2812	25	20	5	24	10	2	1.35	MTO
CTCG15ESS	C 2812 SS	25	20	5	24	10	2	1.35	MTO
CTCG17B	C 2812	30	20	8	24	10.5	2	1.44	MTO
CTCG17BSS	C 2812 SS	30	20	8	24	10.5	2	1.44	MTO
CTCG22C	C 3818	38	25	11	32	13.5	2	2.26	MTO
CTCG22CSS	C 3818 SS	38	25	11	32	13.5	2	2.26	MTO
CTCG30D	C 3818	40	30	13	35	19	2	2.57	MTO
CTCG30DSS	C 3818 SS	40	30	13	35	19	2	2.57	MTO

Standard profile material: UHMW-PE "DESLIDUR" | Metal guide material: ZN or SS
On demand options: Different colours and dimensions available | Dimensions in mm | L dimension in meters



REF.	Metal guide	W	H	h	K	D	L	Kg/m	Delivery
CORCG04	C 2010	20	10	2	14	4	2	0.68	MTO
CORCG04SS	C 2010 SS	20	10	2	14	4	2	0.68	MTO
CORCG05	C 2010	20	10	2.5	14	5	2	0.67	MTO
CORCG05SS	C 2010 SS	20	10	2.5	14	5	2	0.67	MTO
CORCG06	C 2010	20	10	3	14	6	2	0.66	MTO
CORCG06SS	C 2010 SS	20	10	3	14	6	2	0.66	MTO
CORCG08	C 2010	20	10	4	14	8	2	0.65	MTO
CORCG08SS	C 2010 SS	20	10	4	14	8	2	0.65	MTO
CORCG10	C 2812	28	15	5	18	10	2	1.18	MTO
CORCG10SS	C 2812 SS	28	15	5	18	10	2	1.18	MTO
CORCG12	C 2812	28	15	6	18	12	2	1.14	MTO
CORCG12SS	C 2812 SS	28	15	6	18	12	2	1.14	MTO
CORCG15	C 2812	28	15	7.5	18	15	2	1.16	MTO
CORCG15SS	C 2812 SS	28	15	7.5	18	15	2	1.16	MTO
CORCG20	C 2812	28	20	10	24	20	2	1.28	MTO
CORCG20SS	C 2812 SS	28	20	10	24	20	2	1.28	MTO

Standard profile material: UHMW-PE "DESLIDUR" | Metal guide material: ZN or SS
On demand options: Different colours and dimensions available | Dimensions in mm | L dimension in meters

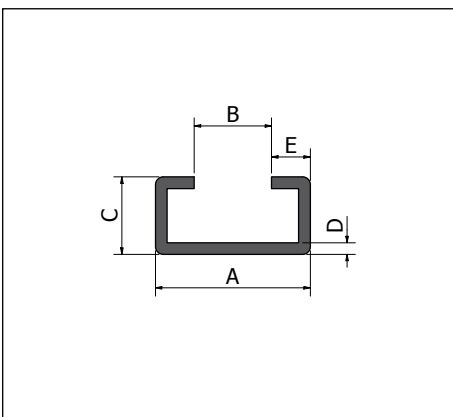


Ref.	Metal guide	W	K	H	h	L	Kg/m	Delivery
HCG2006	C 2405	20	6	5	0.8	2	0.35	MTO
HCG2006SS	C 2405 SS	20	6	5	0.8	2	0.35	MTO
HCG2011	C 2405	20	11	10	5.8	2	0.45	MTO
HCG2011SS	C 2405 SS	20	11	10	5.8	2	0.45	MTO
HCG2014	C 2010	20	14	10	4	2	0.79	Std
HCG2014SS	C 2010 SS	20	14	10	4	2	0.79	Std
HCG2017	C 2010	20	17	15	7	2	0.88	Std
HCG2017SS	C 2010 SS	20	17	15	7	2	0.88	Std
HCG2020	C 2010	20	20	15	9.8	2	0.91	Std
HCG2020SS	C 2010 SS	20	20	15	9.8	2	0.91	Std
HCG2022	C 2010	20	22	20	12	2	0.94	Std
HCG2022SS	C 2010 SS	20	22	20	12	2	0.94	Std
HCG2815	C 2812	28	15	10	3	2	1.18	MTO
HCG2815SS	C 2812 SS	28	15	10	3	2	1.18	MTO
HCG2818	C 2812	28	18	15	6	2	1.32	MTO
HCG2818SS	C 2812 SS	28	18	15	6	2	1.32	MTO
HCG2824	C 2812	28	24	20	12	2	1.49	Std
HCG2824SS	C 2812 SS	28	24	20	12	2	1.49	Std
HCG3822	C 3818	38	22	12	4	2	2.20	MTO
HCG3822SS	C 3818 SS	38	22	12	4	2	2.20	MTO
HCG3824	C 3818	38	24	15	6	2	2.46	Std
HCG3824SS	C 3818 SS	38	24	15	6	2	2.46	Std
HCG3830	C 3818	38	30	20	12	2	2.69	MTO
HCG3830SS	C 3818 SS	38	30	20	12	2	2.69	MTO
HCG6030	C 6020	60	30	20	10	2	3.26	MTO
HCG6030SS	C 6020 SS	60	30	20	10	2	3.26	MTO

Standard profile material: UHMW-PE "DESLIDUR" | Metal guide material: ZN or SS

On demand options: Different colours and dimensions available | Dimensions in mm | L dimension in meters

Steel Profiles



Ref.		A	B	C	D	E	L	Kg/m
ZN	SS							
C2405	C2405SS	24	17.5	5.2	1	3.25	2	0.28
C2010	C2010SS	20	10	10	1.3	5	2	0.38
C2812	C2812SS	28	14	12	2	7	2	0.86
C2816	C2816SS	28	14	16	2.5	7	2	1.16
C3818	C3818SS	38	22	18	2.5	8	2	1.43
C3024	C3024SS	30	20	24	1.5	5	2	0.94
C4540	C4540SS	45	31	40	2	7	2	2.05
C6020	C6020SS	60	36	20	2.5	12	2	2.16

On demand options: Different colours and dimensions available | Dimensions in mm | L dimension in meters

Articulated plastic feet

Ø40 p. 36 **Ø50** p. 37 **Ø63** p. 38 **Ø80** p. 40 **Ø100** p. 42 **Ø110** p. 46



Ø125 p. 50 **Ø130** p. 54



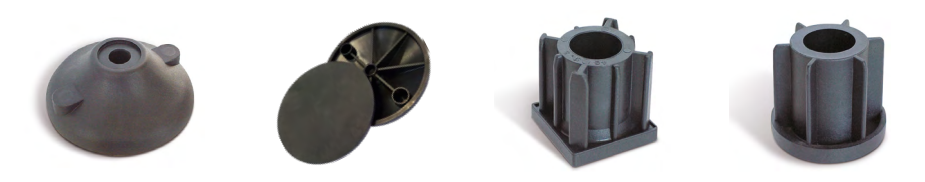
Articulated stainless steel feet

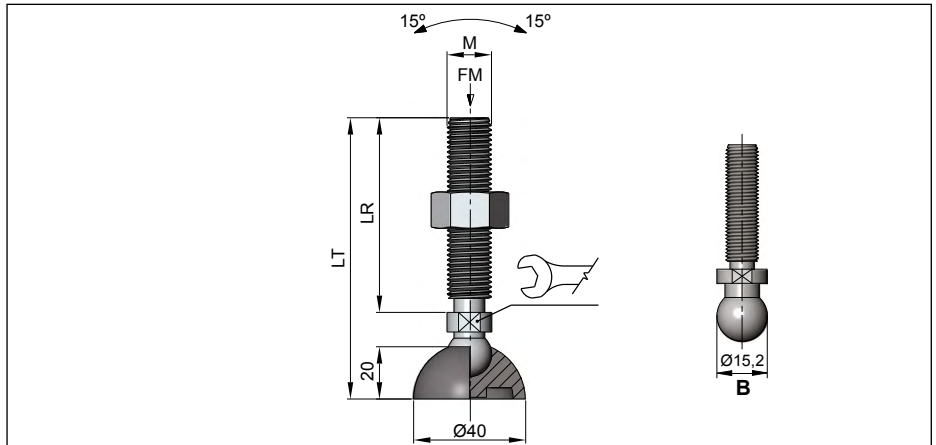
Ø60 p. 56 **Ø80** p. 57 **Ø100** p. 58 **Ø55** p. 59 **Ø75** p. 60 **Ø95** p. 61



Feet bases, anti-slip pads and tube ends

Ø130 p. 63 **Pad** p. 64 **Square** p. 65 **Round** p. 66



Articulated feet Ø40

Features

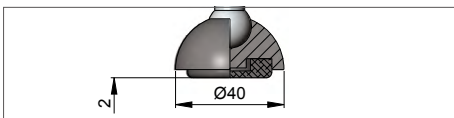
Standard material Reinforced PA
 Color Black

On Demand Options

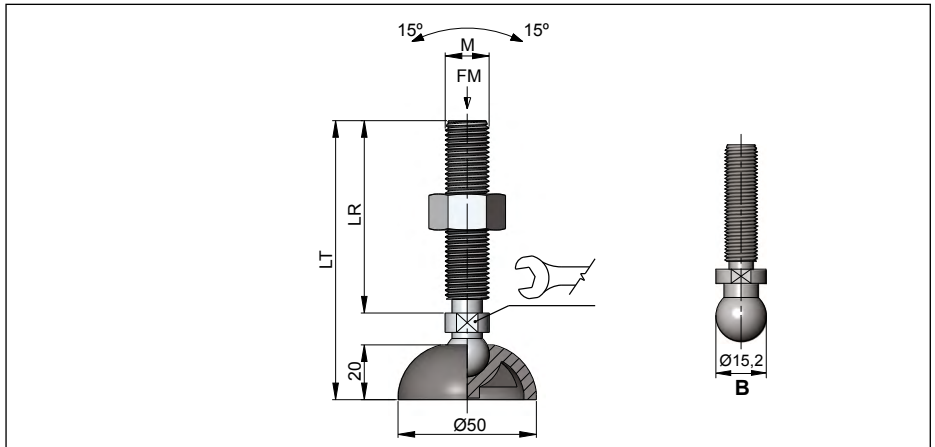
Available on blue RAL5005**

Anti-slip pad available

See page 64



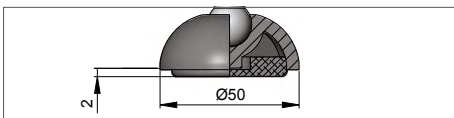
Ref.	M	LT	LR	Material		Spdl. type	Nut size	FT	Kg.	Box
				Spindle	Nut					
8717043	10	74	43	SS303	SS	B	14	12000	0.07	50
8717045	10	102	71	SS303	SS	B	14	12000	0.09	50
8717046	10	159	128	SS303	SS	B	14	12000	0.12	50
8717052	12	74	43	SS303	SS	B	14	12000	0.09	50
8717054	12	102	71	SS303	SS	B	14	12000	0.11	50
8717055	12	159	128	SS303	SS	B	14	12000	0.15	50
8717057	14	74	43	SS303	SS	B	14	12000	0.11	50
8717058	14	102	71	SS303	SS	B	14	12000	0.13	50
8717060	14	159	128	SS303	SS	B	14	12000	0.20	50
8717062	16	102	71	SS303	SS	B	14	12000	0.16	50
8717063	16	159	128	SS303	SS	B	14	12000	0.23	50
8717064	16	188	157	SS303	SS	B	14	12000	0.27	50
8717065	16	201	170	SS303	SS	B	14	12000	0.29	50
8717014	8	74	43	ZN	ZN	B	14	12000	0.06	50
8717015	8	102	71	ZN	ZN	B	14	12000	0.07	50
8717018	10	74	43	ZN	ZN	B	14	12000	0.07	50
8717022	10	102	71	ZN	ZN	B	14	12000	0.09	50
8717023	10	159	128	ZN	ZN	B	14	12000	0.12	50
8717027	12	74	43	ZN	ZN	B	14	12000	0.09	50
8717029	12	102	71	ZN	ZN	B	14	12000	0.11	50
8717030	12	159	128	ZN	ZN	B	14	12000	0.15	50
8717032	14	74	43	ZN	ZN	B	14	12000	0.11	50
8717033	14	102	71	ZN	ZN	B	14	12000	0.13	50
8717034	14	159	128	ZN	ZN	B	14	12000	0.20	50
8717036	16	102	71	ZN	ZN	B	14	12000	0.16	50

Articulated feet Ø50

Features

Standard material Reinforced PA
 Color Black

On Demand Options

Different colors available
 Anti-slip pad available
 See page 64

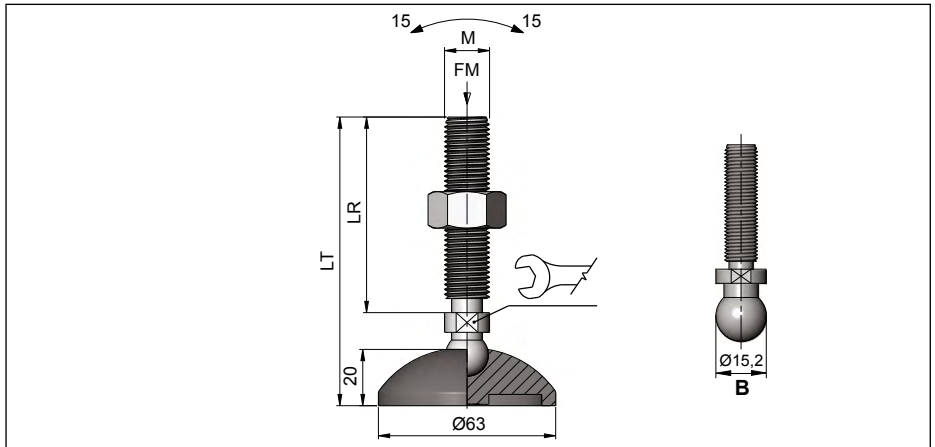


Ref.	M	LT	LR	Material		Spdl. type	Nut size	FT	Kg.	Box
				Spindle	Nut					
8717251	10	74	43	SS303	SS	B	14	12000	0.08	50
8717253	10	102	71	SS303	SS	B	14	12000	0.09	50
8717254	10	159	128	SS303	SS	B	14	12000	0.12	50
8717260	12	74	43	SS303	SS	B	14	12000	0.09	50
8717262	12	102	71	SS303	SS	B	14	12000	0.11	50
8717263	12	159	128	SS303	SS	B	14	12000	0.15	50
8717265	14	74	43	SS303	SS	B	14	12000	0.11	50
8717266	14	102	71	SS303	SS	B	14	12000	0.14	50
8717268	14	159	128	SS303	SS	B	14	12000	0.20	50
8717270	16	102	71	SS303	SS	B	14	12000	0.16	50
8717271	16	159	128	SS303	SS	B	14	12000	0.24	50
8717272	16	188	157	SS303	SS	B	14	12000	0.28	50
8717273	16	201	170	SS303	SS	B	14	12000	0.29	50
8717223	8	74	43	ZN	ZN	B	14	12000	0.06	50
8717224	8	102	71	ZN	ZN	B	14	12000	0.07	50
8717227	10	74	43	ZN	ZN	B	14	12000	0.08	50
8717231	10	102	71	ZN	ZN	B	14	12000	0.09	50
8717232	10	159	128	ZN	ZN	B	14	12000	0.12	50
8717236	12	74	43	ZN	ZN	B	14	12000	0.09	50
8717238	12	102	71	ZN	ZN	B	14	12000	0.11	50
8717239	12	159	128	ZN	ZN	B	14	12000	0.15	50
8717241	14	74	43	ZN	ZN	B	14	12000	0.11	50
8717242	14	102	71	ZN	ZN	B	14	12000	0.14	50
8717243	14	159	128	ZN	ZN	B	14	12000	0.20	50
8717245	16	102	71	ZN	ZN	B	14	12000	0.16	50

LEVELING FEET



Articulated feet Ø63

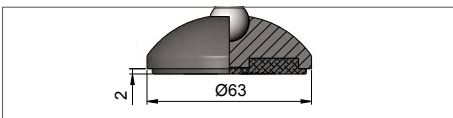


Features

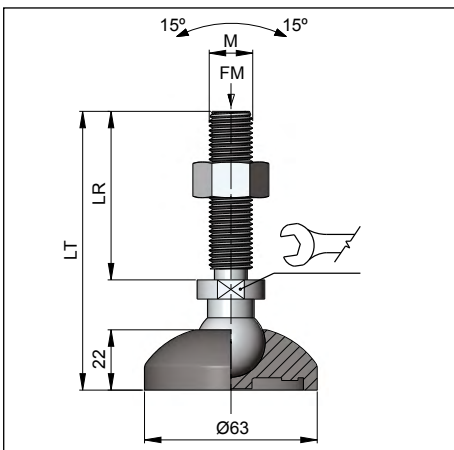
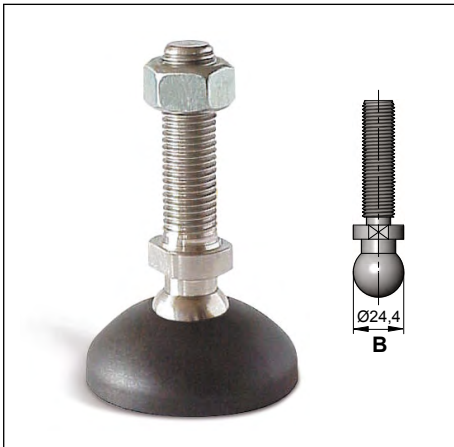
Standard material: Reinforced PA
 Color: Black

On Demand Options

Different colors available
 Anti-slip pad available
 See page 64



Ref.	M	LT	LR	Material		Spdl. type	Nut size	FT	Kg.	Box
				Spindle	Nut					
8725502	10	77	43	SS	SS	B	14	12000	0.09	50
8725503	10	87	53	SS	SS	B	14	12000	0.09	50
8725505	10	105	71	SS	SS	B	14	12000	0.10	50
8725507	10	162	128	SS	SS	B	14	12000	0.13	50
8725511	12	77	43	SS	SS	B	14	12000	0.10	50
8725512	12	87	53	SS	SS	B	14	12000	0.11	50
8725516	12	105	71	SS	SS	B	14	12000	0.12	50
8725519	12	162	128	SS	SS	B	14	12000	0.16	50
8725526	14	77	43	SS	SS	B	14	12000	0.12	50
8725528	14	105	71	SS	SS	B	14	12000	0.15	50
8725531	14	162	128	SS	SS	B	14	12000	0.21	50
8725537	16	105	71	SS	SS	B	14	12000	0.17	50
8725539	16	162	122	SS	SS	B	14	12000	0.25	50
8725541	16	191	157	SS	SS	B	14	12000	0.29	50
8725544	16	204	170	SS	SS	B	14	12000	0.30	50
8725450	8	77	43	ZN	ZN	B	14	12000	0.07	50
8725453	8	105	71	ZN	ZN	B	14	12000	0.08	50
8725457	10	77	43	ZN	ZN	B	14	12000	0.09	50
8725458	10	87	53	ZN	ZN	B	14	12000	0.09	50
8725459	10	105	71	ZN	ZN	B	14	12000	0.10	50
8725462	10	162	128	ZN	ZN	B	14	12000	0.13	50
8725475	12	77	43	ZN	ZN	B	14	12000	0.10	50
8725477	12	87	53	ZN	ZN	B	14	12000	0.11	50
8725479	12	105	71	ZN	ZN	B	14	12000	0.12	50
8725483	12	162	128	ZN	ZN	B	14	12000	0.16	50
8725486	14	77	43	ZN	ZN	B	14	12000	0.12	50
8725489	14	105	71	ZN	ZN	B	14	12000	0.15	50
8725491	14	162	128	ZN	ZN	B	14	12000	0.21	50
8725494	16	105	71	ZN	ZN	B	14	12000	0.17	50
8725496	16	162	128	ZN	ZN	B	14	12000	0.25	50
8725498	16	191	157	ZN	ZN	B	14	12000	0.29	50

Articulated heavy-duty feet Ø63

Features

Standard material Reinforced PA

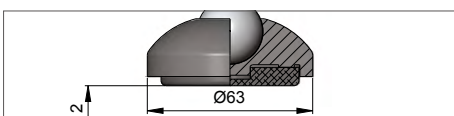
Color Black

On Demand Options

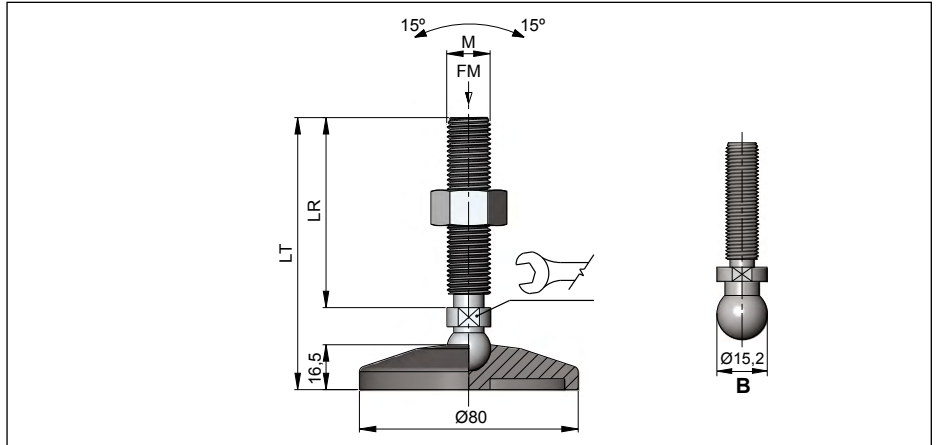
Different colors available

Anti-slip pad available

See page 64



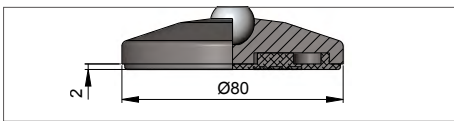
Ref.	M	LT	LR	Material		Spdl. type	Nut size	FT		Kg.	Box
				Spindle	Nut			Nw			
8732250	16	100	51	PA6	-	J	24	3000	0.12	50	
8732302	16	100	51	PA6	SS	J	24	4000	0.13	50	
8732301	16	100	51	PA6	ZN	J	24	4000	0.13	50	
8732303	12	106	63	SS303	SS	B	20	15000	0.19	50	
8732304	12	156	113	SS303	SS	B	20	15000	0.23	50	
8732305	12	206	163	SS303	SS	B	20	15000	0.25	50	
8732307	14	106	63	SS303	SS	B	20	15000	0.22	50	
8732308	14	156	113	SS303	SS	B	20	15000	0.26	50	
8732309	14	206	163	SS303	SS	B	20	15000	0.31	50	
8732311	16	99	56	SS303	SS	B	20	15000	0.23	50	
8732312	16	156	113	SS303	SS	B	20	15000	0.31	50	
8732313	16	196	153	SS303	SS	B	20	15000	0.36	50	
8732314	16	236	193	SS303	SS	B	20	15000	0.40	50	
8732316	20	126	83	SS303	-	B	22	15000	0.30	50	
8732317	20	156	113	SS303	-	B	22	15000	0.36	50	
8732318	20	186	143	SS303	-	B	22	15000	0.42	50	
8732319	20	236	193	SS303	-	B	22	15000	0.52	25	
8732321	24	126	83	SS303	-	B	23	15000	0.38	50	
8732322	24	156	113	SS303	-	B	23	15000	0.46	50	
8732323	24	186	143	SS303	-	B	23	15000	0.55	50	
8732324	24	236	193	SS303	-	B	23	15000	0.70	50	
8732338	12	106	63	ZN	ZN	B	20	15000	0.19	50	
8732339	12	156	113	ZN	ZN	B	20	15000	0.23	50	
8732340	12	206	163	ZN	ZN	B	20	15000	0.25	50	
8732342	14	106	63	ZN	ZN	B	20	15000	0.22	50	
8732343	14	156	113	ZN	ZN	B	20	15000	0.26	50	
8732344	14	206	163	ZN	ZN	B	20	15000	0.31	50	
8732346	16	99	56	ZN	ZN	B	20	15000	0.23	50	
8732347	16	156	113	ZN	ZN	B	20	15000	0.31	50	
8732348	16	196	153	ZN	ZN	B	20	15000	0.36	50	
8732349	16	236	193	ZN	ZN	B	20	15000	0.40	50	
8732351	20	126	83	ZN	-	B	22	15000	0.30	50	
8732352	20	156	113	ZN	-	B	22	15000	0.36	50	
8732353	20	186	143	ZN	-	B	22	15000	0.42	50	
8732354	20	236	193	ZN	-	B	22	15000	0.52	50	
8732356	24	126	83	ZN	-	B	23	15000	0.38	50	
8732357	24	156	113	ZN	-	B	23	15000	0.46	50	
8732358	24	186	143	ZN	-	B	23	15000	0.55	50	
8732359	24	236	193	ZN	-	B	23	15000	0.70	50	

Articulated feet Ø80

Features

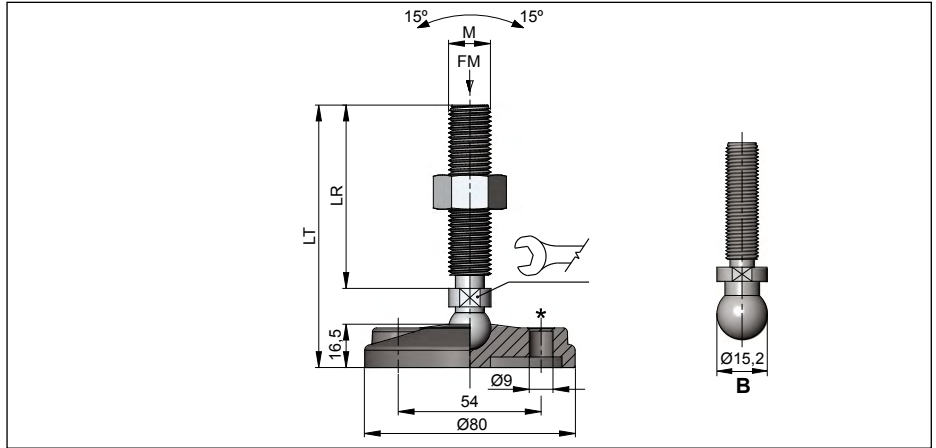
Standard material Reinforced PA
 Color Black

On Demand Options

Different colors available
 Anti-slip pad available
 See page 64



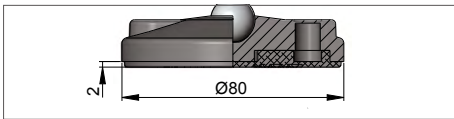
Ref.	M	LT	LR	Material		Spdl. type	Nut size	FT	Kg.	Box
				Spindle	Nut					
8741117	10	71	43	SS303	SS	B	14	15000	0.11	50
8741118	10	99	71	SS303	SS	B	14	15000	0.12	25
8741120	10	156	128	SS303	SS	B	14	15000	0.15	50
8741122	12	71	43	SS303	SS	B	14	15000	0.12	50
8741124	12	99	71	SS303	SS	B	14	15000	0.14	50
8741125	12	156	128	SS303	SS	B	14	15000	0.18	50
8741195	14	71	43	SS303	SS	B	14	15000	0.14	50
8741197	14	99	71	SS303	SS	B	14	15000	0.17	50
8741199	14	156	128	SS303	SS	B	14	15000	0.23	50
8741127	16	99	71	SS303	SS	B	14	15000	0.19	50
8741128	16	156	128	SS303	SS	B	14	15000	0.27	50
8741129	16	186	157	SS303	SS	B	14	15000	0.31	50
8741130	16	198	170	SS303	SS	B	14	15000	0.32	25
8741101	8	71	43	ZN	ZN	B	14	15000	0.09	50
8741102	8	99	71	ZN	ZN	B	14	15000	0.10	50
8741105	10	71	43	ZN	ZN	B	14	15000	0.11	50
8741107	10	99	71	ZN	ZN	B	14	15000	0.12	50
8741108	10	156	128	ZN	ZN	B	14	15000	0.15	50
8741110	12	71	43	ZN	ZN	B	14	15000	0.12	50
8741112	12	99	71	ZN	ZN	B	14	15000	0.14	50
8741113	12	156	128	ZN	ZN	B	14	15000	0.18	50
8741210	14	71	43	ZN	ZN	B	14	15000	0.14	50
8741214	14	99	71	ZN	ZN	B	14	15000	0.17	50
8741216	14	156	128	ZN	ZN	B	14	15000	0.23	50
8741115	16	99	71	ZN	ZN	B	14	15000	0.19	50
8741201	16	156	128	ZN	ZN	B	14	15000	0.20	25
8741205	16	186	157	ZN	ZN	B	14	15000	0.31	50

Articulated feet with fixing holes Ø80

Features

Standard material Reinforced PA
 Color Black

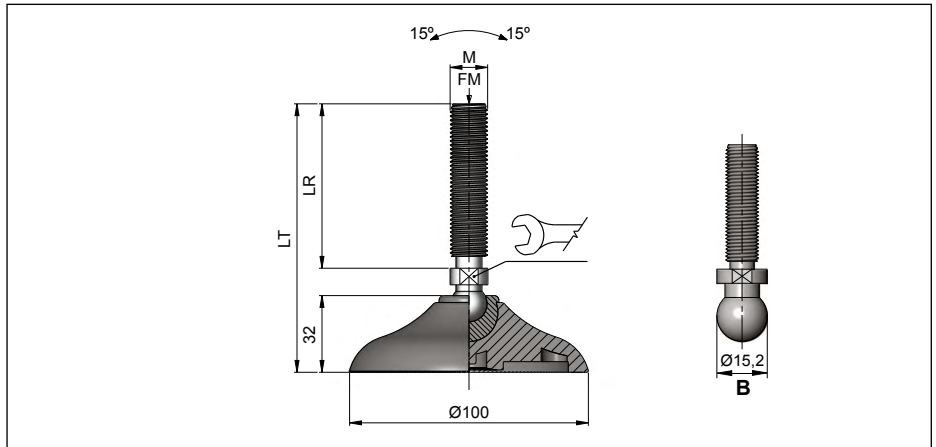
On Demand Options

Different colors available
 Anti-slip pad available
 See page 64



⊕ *Best seller*

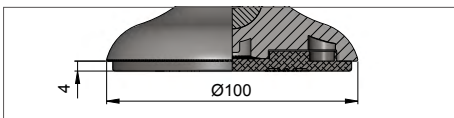
Ref.	M	LT	LR	Material		Spdl. type	Nut size	FT	Kg.	Box
				Spindle	Nut					
8741151	10	71	43	SS303	SS	B	14	15000	0.11	50
8741152	10	81	53	SS303	SS	B	14	15000	0.11	25
8741153	10	99	71	SS303	SS	B	14	15000	0.12	50
8741154	10	156	128	SS303	SS	B	14	15000	0.15	50
8741156	12	71	43	SS303	SS	B	14	15000	0.12	50
8741157	12	81	53	SS303	SS	B	14	15000	0.13	50
8741158	12	99	71	SS303	SS	B	14	15000	0.14	25
8741159	12	156	128	SS303	SS	B	14	15000	0.18	25
8741175	14	71	43	SS303	SS	B	14	15000	0.14	50
8741177	14	99	71	SS303	SS	B	14	15000	0.17	50
8741179	14	156	128	SS303	SS	B	14	15000	0.23	50
⊕ 8741161	16	99	71	SS303	SS	B	14	15000	0.19	50
⊕ 8741162	16	156	128	SS303	SS	B	14	15000	0.27	50
8741163	16	185	157	SS303	SS	B	14	15000	0.31	50
⊕ 8741164	16	198	170	SS303	SS	B	14	15000	0.32	50
8741135	8	71	43	ZN	ZN	B	14	15000	0.09	50
8741136	8	99	71	ZN	ZN	B	14	15000	0.10	50
8741139	10	71	43	ZN	ZN	B	14	15000	0.11	50
8741141	10	99	71	ZN	ZN	B	14	15000	0.12	50
8741142	10	156	128	ZN	ZN	B	14	15000	0.15	25
8741144	12	71	43	ZN	ZN	B	14	15000	0.12	50
8741145	12	81	53	ZN	ZN	B	14	15000	0.13	50
8741146	12	99	71	ZN	ZN	B	14	15000	0.14	25
8741147	12	156	128	ZN	ZN	B	14	15000	0.18	50
8741182	14	71	43	ZN	ZN	B	14	15000	0.14	50
8741184	14	99	71	ZN	ZN	B	14	15000	0.17	50
8741186	14	156	128	ZN	ZN	B	14	15000	0.23	50
⊕ 8741149	16	99	71	ZN	ZN	B	14	15000	0.19	25
⊕ 8741148	16	156	128	ZN	ZN	B	14	15000	0.27	50
⊕ 8741150	16	186	157	ZN	ZN	B	14	15000	0.31	25

Articulated feet Ø100

Features

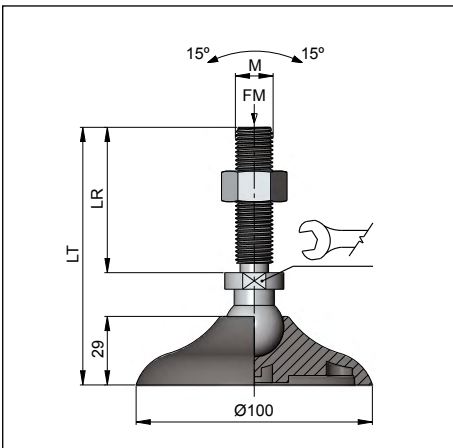
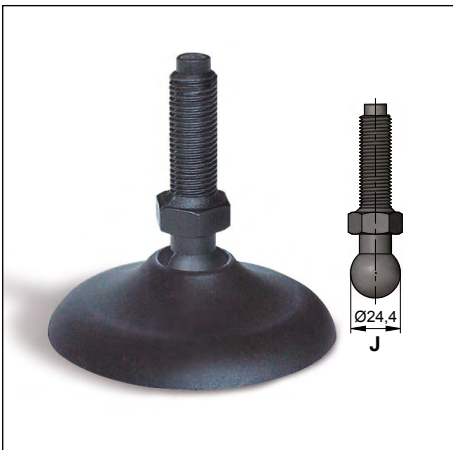
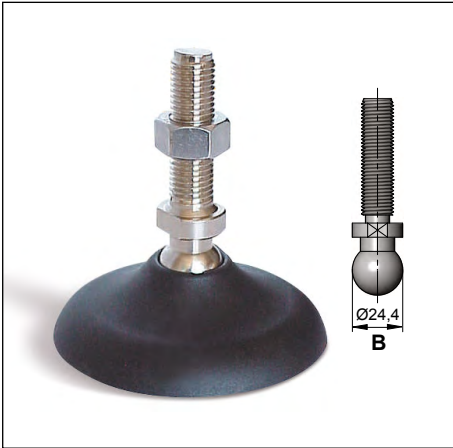
Standard material Reinforced PA
 Color Black

On Demand Options

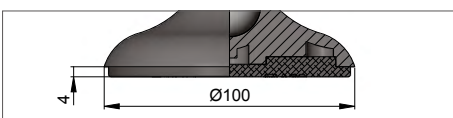
Different colors available
 Anti-slip pad available
 See page 64



Ref.	M	LT	LR	Material		Spdl. type	Nut size	FT	Kg.	Box
				Spindle	Nut					
8750114	12	88	43	SS303	-	B	14	12000	0.15	5
8750115	12	98	53	SS303	-	B	14	12000	0.16	5
8750116	12	116	71	SS303	-	B	14	12000	0.17	5
8750117	12	173	128	SS303	-	B	14	12000	0.21	5
8750122	14	88	43	SS303	-	B	14	12000	0.16	5
8750123	14	116	71	SS303	-	B	14	12000	0.19	5
8750124	14	173	128	SS303	-	B	14	12000	0.26	5
8750129	16	116	71	SS303	-	B	14	12000	0.21	5
8750130	16	173	128	SS303	-	B	14	12000	0.28	5
8750131	16	202	157	SS303	-	B	14	12000	0.32	5
8750132	16	215	170	SS303	-	B	14	12000	0.34	5
8750085	12	88	43	ZN	-	B	14	12000	0.15	5
8750086	12	98	53	ZN	-	B	14	12000	0.16	5
8750087	12	116	71	ZN	-	B	14	12000	0.17	5
8750088	12	173	128	ZN	-	B	14	12000	0.21	5
8750093	14	88	43	ZN	-	B	14	12000	0.16	5
8750094	14	116	71	ZN	-	B	14	12000	0.19	5
8750095	14	173	128	ZN	-	B	14	12000	0.26	5
8750100	16	116	71	ZN	-	B	14	12000	0.21	5
8750101	16	173	128	ZN	-	B	14	12000	0.28	5
8750102	16	202	157	ZN	-	B	14	12000	0.32	5

Articulated heavy-duty feet Ø100

Features

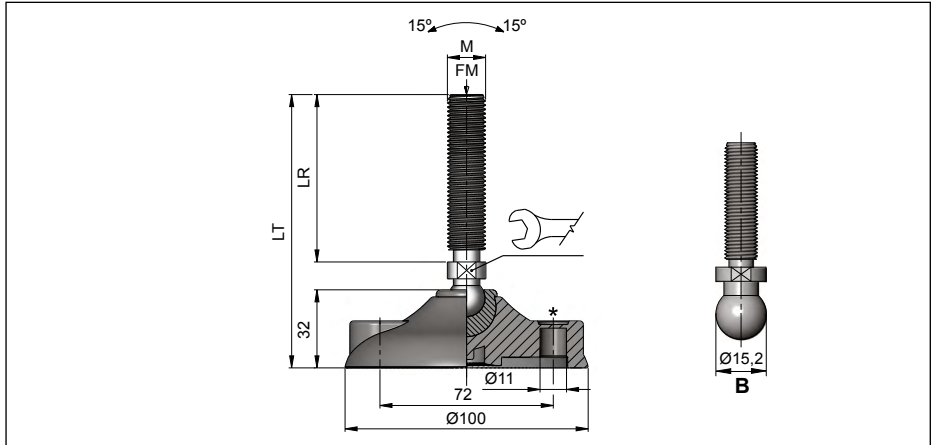
- Standard material: Reinforced PA
- Color: Black
- On Demand Options**
- Different colors available
- Anti-slip pad available
- See page 64



Ref.	M	LT	LR	Material		Spdl. type	Nut size	FT		Kg.	Box
				Spindle	Nut			Nw			
8732258	16	100	51	PA6	-	J	24	3000	0.19	25	
8752372	12	112	63	SS303	SS	B	20	15000	0.25	25	
8752373	12	162	113	SS303	SS	B	20	15000	0.29	25	
8752374	12	212	163	SS303	SS	B	20	15000	0.31	25	
8752376	14	112	63	SS303	SS	B	20	15000	0.28	25	
8752377	14	162	113	SS303	SS	B	20	15000	0.32	25	
8752378	14	212	163	SS303	SS	B	20	15000	0.37	25	
8752380	16	105	56	SS303	SS	B	20	18000	0.29	25	
8752381	16	162	113	SS303	SS	B	20	18000	0.37	25	
8752382	16	202	153	SS303	SS	B	20	18000	0.42	25	
8752383	16	242	193	SS303	SS	B	20	18000	0.46	10	
8752385	20	132	83	SS303	-	B	22	18000	0.36	20	
8752386	20	162	113	SS303	-	B	22	18000	0.42	20	
8752387	20	192	143	SS303	-	B	22	18000	0.48	20	
8752388	20	242	193	SS303	-	B	22	18000	0.58	10	
8752390	24	132	83	SS303	-	B	23	18000	0.44	20	
8752391	24	162	113	SS303	-	B	23	18000	0.52	20	
8752392	24	192	143	SS303	-	B	23	18000	0.61	20	
8752393	24	242	193	SS303	-	B	23	18000	0.76	20	
8752407	12	112	63	ZN	ZN	B	20	15000	0.25	25	
8752408	12	162	113	ZN	ZN	B	20	15000	0.29	25	
8752409	12	212	163	ZN	ZN	B	20	15000	0.31	25	
8752411	14	112	63	ZN	ZN	B	20	15000	0.28	25	
8752412	14	162	113	ZN	ZN	B	20	15000	0.32	25	
8752413	14	212	163	ZN	ZN	B	20	15000	0.37	25	
8752415	16	105	56	ZN	ZN	B	20	18000	0.29	25	
8752416	16	162	113	ZN	ZN	B	20	18000	0.37	25	
8752417	16	202	153	ZN	ZN	B	20	18000	0.42	25	
8752418	16	242	193	ZN	ZN	B	20	18000	0.46	25	
8752420	20	132	83	ZN	-	B	22	18000	0.36	20	
8752421	20	162	113	ZN	-	B	22	18000	0.42	20	
8752422	20	192	143	ZN	-	B	22	18000	0.48	10	
8752423	20	242	193	ZN	-	B	22	18000	0.58	20	
8752425	24	132	83	ZN	-	B	23	18000	0.44	20	
8752426	24	162	113	ZN	-	B	23	18000	0.52	20	
8752427	24	192	143	ZN	-	B	23	18000	0.61	20	
8752428	24	242	193	ZN	-	B	23	18000	0.76	20	

LEVELING FEET

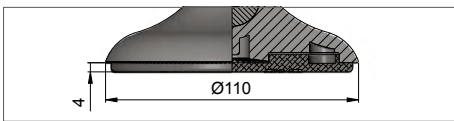


Articulated feet with fixing holes Ø100

Features

Standard material Reinforced PA
 Color Black

On Demand Options

Different colors available
 Anti-slip pad available
 See page 64

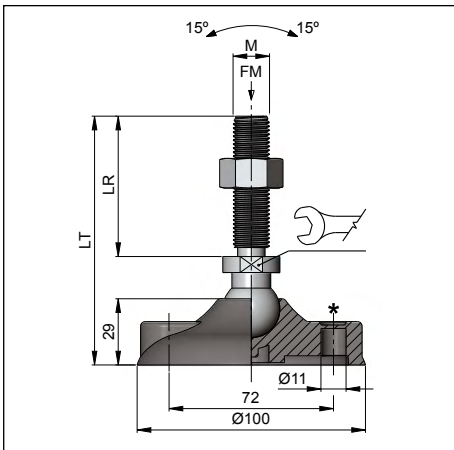
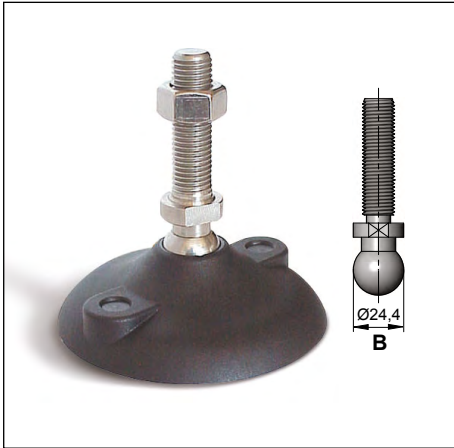


Ref.	M	LT	LR	Material		Spdl. type	Nut size	FT	Kg.	Box
				Spindle	Nut					
8750190	12	88	43	SS303	-	B	14	12000	0.15	5
8750191	12	98	53	SS303	-	B	14	12000	0.16	5
8750192	12	116	71	SS303	-	B	14	12000	0.18	5
8750193	12	173	128	SS303	-	B	14	12000	0.22	20
8750198	14	88	43	SS303	-	B	14	12000	0.17	5
8750199	14	116	71	SS303	-	B	14	12000	0.19	5
8750200	14	173	128	SS303	-	B	14	12000	0.26	5
⊕ 8750205	16	116	71	SS303	-	B	14	12000	0.21	5
⊕ 8750207	16	173	128	SS303	-	B	14	12000	0.29	5
8750210	16	202	157	SS303	-	B	14	12000	0.33	5
8750211	16	215	170	SS303	-	B	14	12000	0.34	5
8750155	12	88	43	ZN	-	B	14	12000	0.15	5
8750156	12	98	53	ZN	-	B	14	12000	0.16	5
8750157	12	116	71	ZN	-	B	14	12000	0.18	5
8750158	12	173	128	ZN	-	B	14	12000	0.22	5
8750163	14	88	43	ZN	-	B	14	12000	0.17	5
8750164	14	116	71	ZN	-	B	14	12000	0.19	5
8750165	14	173	128	ZN	-	B	14	12000	0.26	5
⊕ 8750170	16	116	71	ZN	-	B	14	12000	0.21	5
⊕ 8750172	16	173	128	ZN	-	B	14	12000	0.29	5
8750175	16	202	157	ZN	-	B	14	12000	0.33	5

⊕ Best seller

LEVELING FEET



Articulated heavy duty feet with fixing holes Ø100

Features

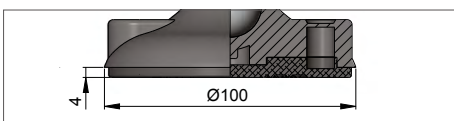
 Standard material Reinforced PA

 Color Black
On Demand Options

Different colors available

Anti-slip pad available

See page 64

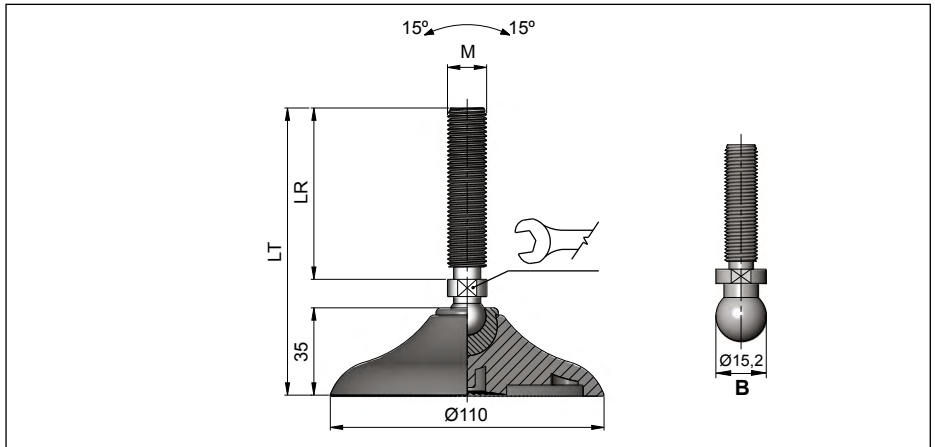

Best seller

Ref.	M	LT	LR	Material		Spdl. type	Nut size	FT		Kg.	Box
				Spindle	Nut			Nw			
8752442	12	112	63	SS303	SS	B	20	15000	0.25	25	
8752443	12	162	113	SS303	SS	B	20	15000	0.29	25	
8752444	12	212	163	SS303	SS	B	20	15000	0.32	25	
8752446	14	112	63	SS303	SS	B	20	15000	0.28	25	
8752447	14	162	113	SS303	SS	B	20	15000	0.33	25	
8752448	14	212	163	SS303	SS	B	20	15000	0.38	25	
8752450	16	105	56	SS303	SS	B	20	18000	0.30	25	
8752451	16	162	113	SS303	SS	B	20	18000	0.37	25	
8752452	16	202	153	SS303	SS	B	20	18000	0.42	25	
8752453	16	242	193	SS303	SS	B	20	18000	0.47	25	
8752455	20	132	83	SS303	-	B	22	18000	0.36	20	
8752456	20	162	113	SS303	-	B	22	18000	0.42	20	
★ 8752457	20	192	143	SS303	-	B	22	18000	0.48	20	
★ 8752458	20	242	193	SS303	-	B	22	18000	0.59	10	
8752460	24	132	83	SS303	-	B	23	18000	0.44	20	
8752461	24	162	113	SS303	-	B	23	18000	0.52	20	
8752462	24	192	143	SS303	-	B	23	18000	0.61	20	
8752463	24	242	193	SS303	-	B	23	18000	0.76	20	
8752477	12	112	63	ZN	ZN	B	20	18000	0.25	25	
8752478	12	162	113	ZN	ZN	B	20	18000	0.29	25	
8752479	12	212	163	ZN	ZN	B	20	18000	0.32	25	
8752481	14	112	63	ZN	ZN	B	20	18000	0.28	25	
8752482	14	162	113	ZN	ZN	B	20	18000	0.33	25	
8752483	14	212	163	ZN	ZN	B	20	18000	0.38	25	
8752485	16	105	56	ZN	ZN	B	20	18000	0.30	25	
8752486	16	162	113	ZN	ZN	B	20	18000	0.37	25	
8752487	16	202	153	ZN	ZN	B	20	18000	0.42	25	
8752488	16	242	193	ZN	ZN	B	20	18000	0.47	25	
8752490	20	132	83	ZN	-	B	22	18000	0.36	20	
8752491	20	162	113	ZN	-	B	22	18000	0.42	20	
★ 8752492	20	192	143	ZN	-	B	22	18000	0.48	20	
★ 8752493	20	242	193	ZN	-	B	22	18000	0.59	20	
8752495	24	132	83	ZN	-	B	23	18000	0.44	20	
8752496	24	162	113	ZN	-	B	23	18000	0.52	20	
8752497	24	192	143	ZN	-	B	23	18000	0.61	20	
8752498	24	242	193	ZN	-	B	23	18000	0.76	20	

LEVELING FEET



Articulated feet Ø110

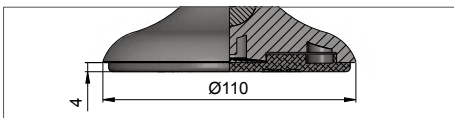


Features

Standard material Reinforced PA
 Color Black

On Demand Options

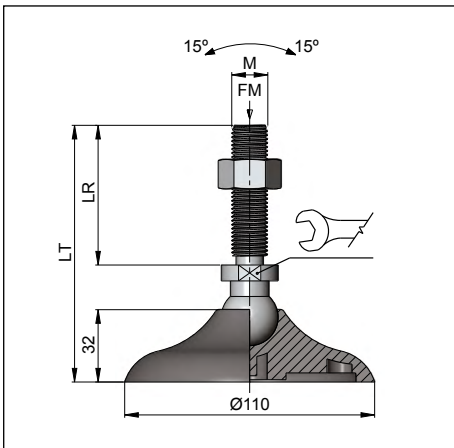
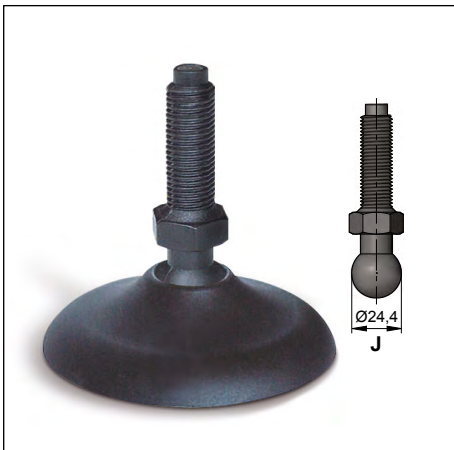
Different colors available
 Anti-slip pad available
 See page 64



Ref.	M	LT	LR	Material		Spdl. type	Nut size	FT	Kg.	Box
				Spindle	Nut					
8760225	12	91	43	SS303	-	B	14	12000	0.17	25
8760226	12	101	53	SS303	-	B	14	12000	0.17	25
8760227	12	119	71	SS303	-	B	14	12000	0.19	25
8760228	12	176	128	SS303	-	B	14	12000	0.23	25
8760229	14	91	43	SS303	-	B	14	12000	0.18	25
8760230	14	119	71	SS303	-	B	14	12000	0.21	25
8760231	14	176	128	SS303	-	B	14	12000	0.27	25
8760232	16	119	71	SS303	-	B	14	12000	0.23	20
8760233	16	176	128	SS303	-	B	14	12000	0.30	20
8760234	16	205	157	SS303	-	B	14	12000	0.34	20
8760235	16	218	170	SS303	-	B	14	12000	0.35	20
8760201	12	91	43	ZN	-	B	14	12000	0.17	25
8760202	12	101	53	ZN	-	B	14	12000	0.17	25
8760203	12	119	71	ZN	-	B	14	12000	0.19	25
8760204	12	176	128	ZN	-	B	14	12000	0.23	25
8760207	14	91	43	ZN	-	B	14	12000	0.18	25
8760208	14	119	71	ZN	-	B	14	12000	0.21	25
8760209	14	176	128	ZN	-	B	14	12000	0.27	25
8760211	16	119	71	ZN	-	B	14	12000	0.23	20
8760212	16	176	128	ZN	-	B	14	12000	0.30	20
8760213	16	205	157	ZN	-	B	14	12000	0.34	20

LEVELING FEET



Articulated heavy-duty feet Ø110

Features

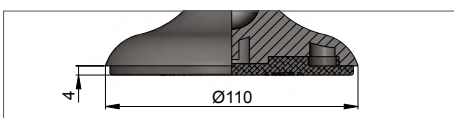
 Standard material Reinforced PA

 Color Black
On Demand Options

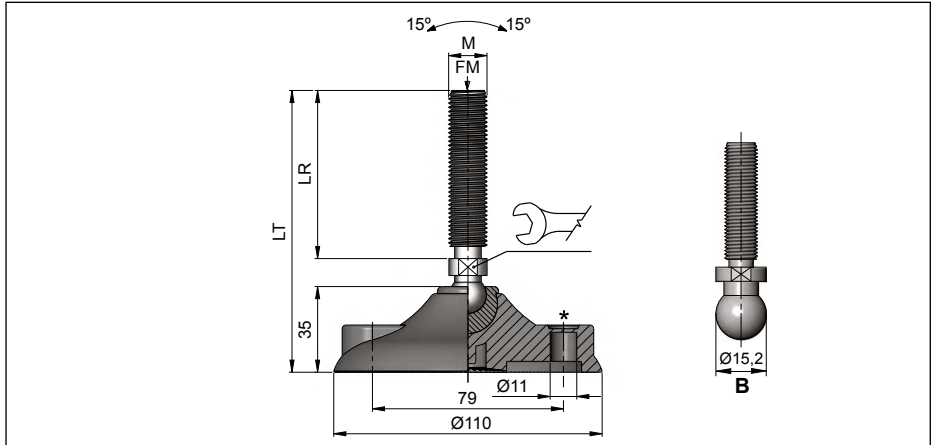
Different colors available

Anti-slip pad available

See page 64



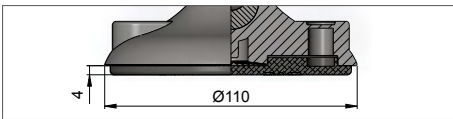
Ref.	M	LT	LR	Material		Spdl. type	Nut size	FT		Kg.	Box
				Spindle	Nut			Nw			
8732266	16	100	51	PA6	-	J	24	3000	0.20	20	
8762512	12	115	63	SS303	SS	B	20	15000	0.27	25	
8762513	12	165	113	SS303	SS	B	20	15000	0.30	25	
8762514	12	215	163	SS303	SS	B	20	15000	0.33	25	
8762516	14	115	63	SS303	SS	B	20	15000	0.29	25	
8762517	14	165	113	SS303	SS	B	20	15000	0.34	25	
8762518	14	215	163	SS303	SS	B	20	15000	0.39	25	
8762520	16	108	56	SS303	SS	B	20	18000	0.31	20	
8762521	16	165	113	SS303	SS	B	20	18000	0.38	20	
8762522	16	205	153	SS303	SS	B	20	18000	0.43	20	
8762523	16	245	193	SS303	SS	B	20	18000	0.48	20	
8762525	20	135	83	SS303	-	B	22	18000	0.37	15	
8762526	20	165	113	SS303	-	B	22	18000	0.44	15	
8762527	20	195	143	SS303	-	B	22	18000	0.49	15	
8762528	20	245	193	SS303	-	B	22	18000	0.60	15	
8762530	24	135	83	SS303	-	B	23	18000	0.45	10	
8762531	24	165	113	SS303	-	B	23	18000	0.53	10	
8762532	24	195	143	SS303	-	B	23	18000	0.63	10	
8762533	24	245	193	SS303	-	B	23	18000	0.77	10	
8762547	12	115	63	ZN	ZN	B	20	15000	0.27	25	
8762548	12	165	113	ZN	ZN	B	20	15000	0.30	25	
8762549	12	215	163	ZN	ZN	B	20	15000	0.33	25	
8762551	14	115	63	ZN	ZN	B	20	15000	0.29	25	
8762552	14	165	113	ZN	ZN	B	20	15000	0.34	25	
8762553	14	215	163	ZN	ZN	B	20	15000	0.39	25	
8762555	16	108	56	ZN	ZN	B	20	18000	0.31	20	
8762556	16	165	113	ZN	ZN	B	20	18000	0.38	20	
8762557	16	205	153	ZN	ZN	B	20	18000	0.43	20	
8762558	16	245	193	ZN	ZN	B	20	18000	0.48	20	
8762560	20	135	83	ZN	-	B	22	18000	0.37	15	
8762561	20	165	113	ZN	-	B	22	18000	0.44	15	
8762562	20	195	143	ZN	-	B	22	18000	0.49	15	
8762563	20	245	193	ZN	-	B	22	18000	0.60	15	
8762565	24	135	83	ZN	-	B	23	18000	0.45	10	
8762566	24	165	113	ZN	-	B	23	18000	0.53	10	
8762567	24	195	143	ZN	-	B	23	18000	0.63	10	
8762568	24	245	193	ZN	-	B	23	18000	0.77	10	

Articulated feet Ø110

Features

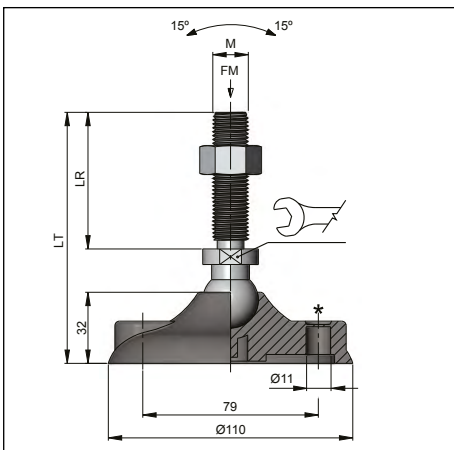
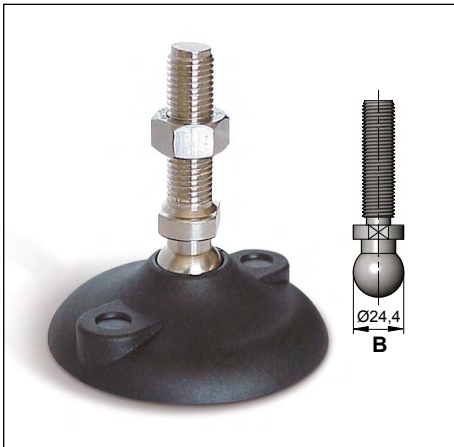
Standard material Reinforced PA
 Color Black

On Demand Options

Different colors available
 Anti-slip pad available
 See page 64



Ref.	M	LT	LR	Material		Spdl. type	Nut size	FT	Kg.	Box
				Spindle	Nut					
8760279	12	91	43	SS303	-	B	14	12000	0.17	25
8760280	12	101	53	SS303	-	B	14	12000	0.18	25
8760281	12	119	71	SS303	-	B	14	12000	0.19	25
8760282	12	176	128	SS303	-	B	14	12000	0.23	25
8760283	14	91	43	SS303	-	B	14	12000	0.18	25
8760284	14	119	71	SS303	-	B	14	12000	0.21	25
8760285	14	176	128	SS303	-	B	14	12000	0.28	25
8760286	16	119	71	SS303	-	B	14	12000	0.23	20
8760287	16	176	128	SS303	-	B	14	12000	0.30	20
8760288	16	205	157	SS303	-	B	14	12000	0.34	20
8760289	16	218	170	SS303	-	B	14	12000	0.36	20
8760255	12	91	43	ZN	-	B	14	12000	0.17	25
8760256	12	101	53	ZN	-	B	14	12000	0.18	25
8760257	12	119	71	ZN	-	B	14	12000	0.19	25
8760258	12	176	128	ZN	-	B	14	12000	0.23	25
8760261	14	91	43	ZN	-	B	14	12000	0.18	25
8760262	14	119	71	ZN	-	B	14	12000	0.21	25
8760263	14	176	128	ZN	-	B	14	12000	0.28	25
8760265	16	119	71	ZN	-	B	14	12000	0.23	20
8760266	16	176	128	ZN	-	B	14	12000	0.30	20
8760267	16	205	157	ZN	-	B	14	12000	0.34	20

Articulated heavy duty feet with fixing holes Ø110

Features

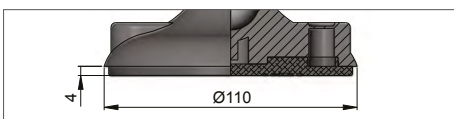
 Standard material Reinforced PA

 Color Black
On Demand Options

Different colors available

Anti-slip pad available

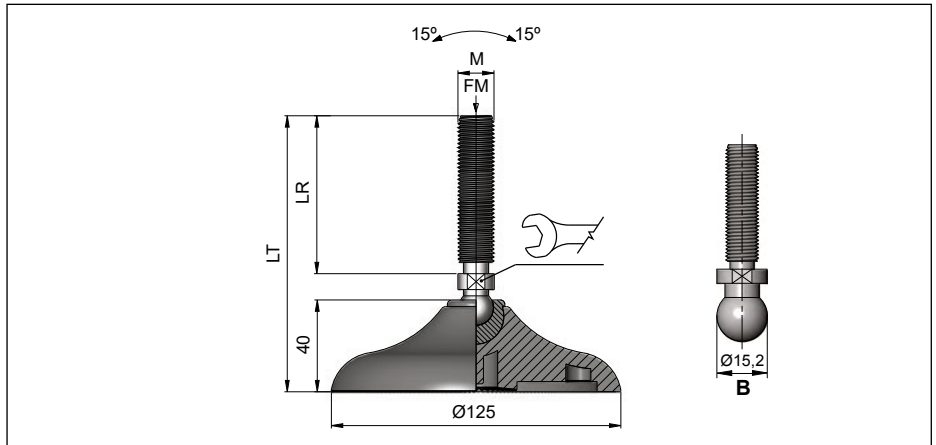
See page 64



Ref.	M	LT	LR	Material		Spdl. type	Nut size	FT		Kg.	Box
				Spindle	Nut			Nw			
8762572	12	115	63	SS303	SS	B	20	15000	0.27	25	
8762573	12	165	113	SS303	SS	B	20	15000	0.31	25	
8762574	12	215	163	SS303	SS	B	20	15000	0.33	25	
8762576	14	115	63	SS303	SS	B	20	15000	0.29	25	
8762577	14	165	113	SS303	SS	B	20	15000	0.34	25	
8762578	14	215	163	SS303	SS	B	20	15000	0.39	25	
8762580	16	108	56	SS303	SS	B	20	18000	0.31	20	
8762581	16	165	113	SS303	SS	B	20	18000	0.39	20	
8762582	16	205	153	SS303	SS	B	20	18000	0.44	20	
8762583	16	245	193	SS303	SS	B	20	18000	0.48	20	
8762585	20	135	83	SS303	-	B	22	18000	0.37	15	
8762586	20	165	113	SS303	-	B	22	18000	0.44	15	
8762587	20	195	143	SS303	-	B	22	18000	0.50	15	
8762588	20	245	193	SS303	-	B	22	18000	0.60	15	
8762590	24	135	83	SS303	-	B	23	18000	0.45	10	
8762591	24	165	113	SS303	-	B	23	18000	0.53	10	
8762592	24	195	143	SS303	-	B	23	18000	0.63	10	
8762593	24	245	193	SS303	-	B	23	18000	0.77	10	
8762607	12	115	63	ZN	ZN	B	20	15000	0.27	25	
8762608	12	165	113	ZN	ZN	B	20	15000	0.31	25	
8762609	12	215	163	ZN	ZN	B	20	15000	0.33	25	
8762611	14	115	63	ZN	ZN	B	20	15000	0.29	25	
8762612	14	165	113	ZN	ZN	B	20	15000	0.34	25	
8762613	14	215	163	ZN	ZN	B	20	15000	0.39	25	
8762615	16	108	56	ZN	ZN	B	20	18000	0.31	20	
8762616	16	165	113	ZN	ZN	B	20	18000	0.39	20	
8762617	16	205	153	ZN	ZN	B	20	18000	0.44	20	
8762618	16	245	193	ZN	ZN	B	20	18000	0.48	20	
8762620	20	135	83	ZN	-	B	22	18000	0.37	15	
8762621	20	165	113	ZN	-	B	22	18000	0.44	15	
8762622	20	195	143	ZN	-	B	22	18000	0.50	15	
8762623	20	245	193	ZN	-	B	22	18000	0.60	15	
8762625	24	135	83	ZN	-	B	23	18000	0.45	10	
8762626	24	165	113	ZN	-	B	23	18000	0.53	10	
8762627	24	195	143	ZN	-	B	23	18000	0.63	10	
8762628	24	245	193	ZN	-	B	23	18000	0.77	10	

LEVELING FEET



Articulated feet Ø125

Features

Standard material Reinforced PA
 Color Black

On Demand Options

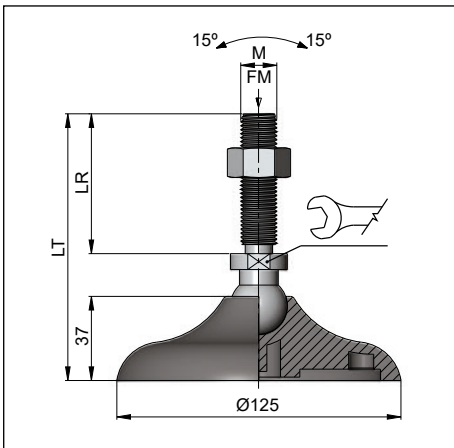
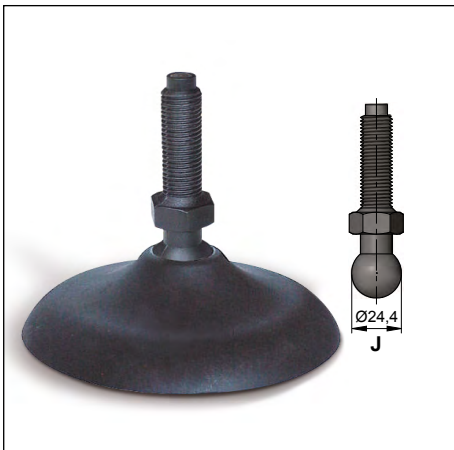
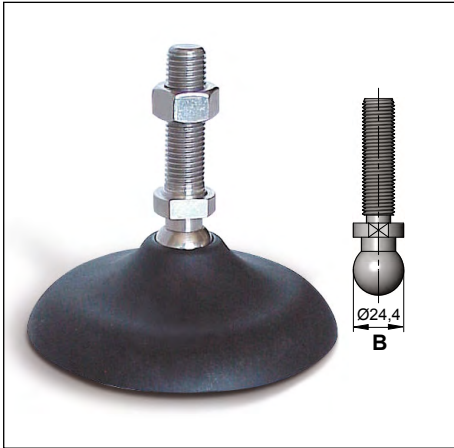
Different colors available
 Anti-slip pad available
 See page 64



Ref.	M	LT	LR	Material		Spdl. type	Nut size	FT	Kg.	Box
				Spindle	Nut					
8770364	12	96	43	SS303	-	B	14	12000	0.23	15
8770365	12	106	53	SS303	-	B	14	12000	0.23	15
8770366	12	124	71	SS303	-	B	14	12000	0.25	15
8770367	12	181	128	SS303	-	B	14	12000	0.29	15
8770368	14	96	43	SS303	-	B	14	12000	0.24	15
8770369	14	124	71	SS303	-	B	14	12000	0.27	15
8770370	14	181	128	SS303	-	B	14	12000	0.33	15
8770371	16	124	71	SS303	-	B	14	12000	0.29	10
8770372	16	181	128	SS303	-	B	14	12000	0.36	10
8770373	16	210	157	SS303	-	B	14	12000	0.40	10
8770374	16	223	170	SS303	-	B	14	12000	0.41	10
8770340	12	96	43	ZN	-	B	14	12000	0.23	15
8770341	12	106	53	ZN	-	B	14	12000	0.23	15
8770342	12	124	71	ZN	-	B	14	12000	0.25	15
8770343	12	181	128	ZN	-	B	14	12000	0.29	15
8770346	14	96	43	ZN	-	B	14	12000	0.24	15
8770347	14	124	71	ZN	-	B	14	12000	0.27	15
8770348	14	181	128	ZN	-	B	14	12000	0.33	15
8770350	16	124	71	ZN	-	B	14	12000	0.29	10
8770351	16	181	128	ZN	-	B	14	12000	0.36	10
8770352	16	210	157	ZN	-	B	14	12000	0.40	10

Best seller



Articulated heavy duty feet Ø125

Features

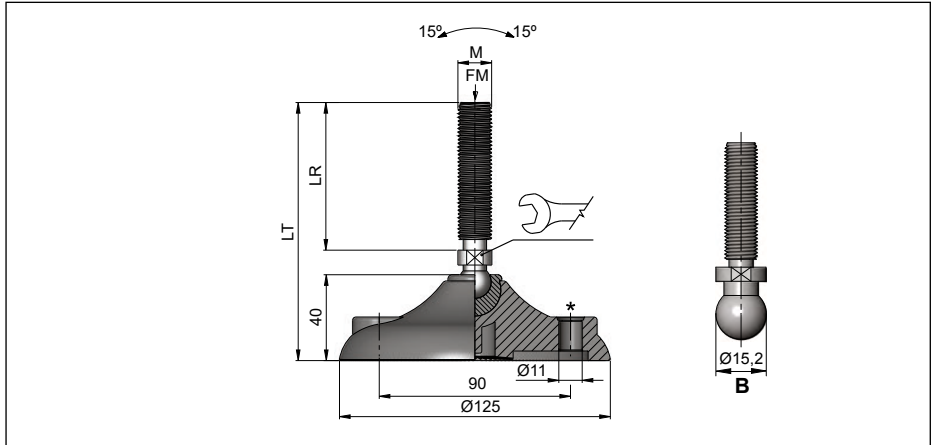
- Standard material Reinforced PA
- Color Black
- On Demand Options**
- Different colors available
- Anti-slip pad available
- See page 64



Ref.	M	LT	LR	Material		Spdl. type	Nut size	FT		Kg.	Box
				Spindle	Nut			Nw			
8732274	16	100	51	PA6	-	J	24	3000	0.26	10	
8772642	12	120	63	SS303	SS	B	20	15000	0.33	15	
8772643	12	170	113	SS303	SS	B	20	15000	0.36	15	
8772644	12	220	163	SS303	SS	B	20	15000	0.39	15	
8772646	14	120	63	SS303	SS	B	20	15000	0.35	15	
8772647	14	170	113	SS303	SS	B	20	15000	0.40	15	
8772648	14	220	163	SS303	SS	B	20	15000	0.45	15	
8772650	16	113	56	SS303	SS	B	20	18000	0.37	10	
8772651	16	170	113	SS303	SS	B	20	18000	0.45	10	
8772652	16	210	153	SS303	SS	B	20	18000	0.49	10	
8772653	16	250	193	SS303	SS	B	20	18000	0.54	6	
8772655	20	140	83	SS303	-	B	22	18000	0.43	10	
8772656	20	170	113	SS303	-	B	22	18000	0.50	6	
8772657	20	200	143	SS303	-	B	22	18000	0.55	10	
8772658	20	250	193	SS303	-	B	22	18000	0.66	6	
8772660	24	140	83	SS303	-	B	23	18000	0.51	6	
8772661	24	170	113	SS303	-	B	23	18000	0.59	6	
8772662	24	200	143	SS303	-	B	23	18000	0.69	6	
8772663	24	250	193	SS303	-	B	23	18000	0.83	6	
8772677	12	120	63	ZN	ZN	B	20	15000	0.33	15	
8772678	12	170	113	ZN	ZN	B	20	15000	0.36	15	
8772679	12	220	163	ZN	ZN	B	20	15000	0.39	15	
8772681	14	120	63	ZN	ZN	B	20	15000	0.35	15	
8772682	14	170	113	ZN	ZN	B	20	15000	0.40	15	
8772683	14	220	163	ZN	ZN	B	20	15000	0.45	15	
8772685	16	113	56	ZN	ZN	B	20	18000	0.37	10	
8772686	16	170	113	ZN	ZN	B	20	18000	0.45	10	
8772687	16	210	153	ZN	ZN	B	20	18000	0.49	10	
8772688	16	250	193	ZN	ZN	B	20	18000	0.54	10	
8772690	20	140	83	ZN	-	B	22	18000	0.43	10	
8772691	20	170	113	ZN	-	B	22	18000	0.50	10	
8772692	20	200	143	ZN	-	B	22	18000	0.55	10	
8772693	20	250	193	ZN	-	B	22	18000	0.66	10	
8772695	24	140	83	ZN	-	B	23	18000	0.51	6	
8772696	24	170	113	ZN	-	B	23	18000	0.59	6	
8772697	24	200	143	ZN	-	B	23	18000	0.69	6	
8772698	24	250	193	ZN	-	B	23	18000	0.83	6	

LEVELING FEET


Articulated feet with fixing holes Ø125

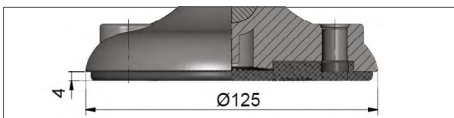


Features

Standard material Reinforced PA
 Color Black

On Demand Options

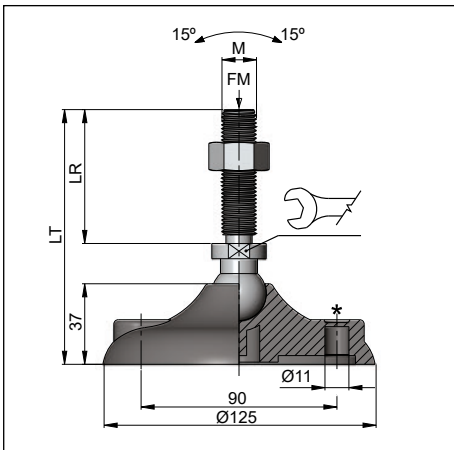
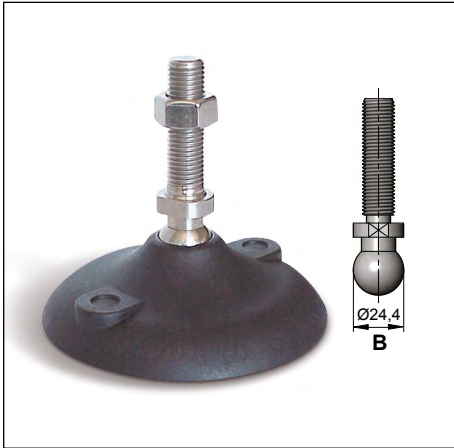
Different colors available
 Anti-slip pad available
 See page 64



Ref.	M	LT	LR	Material		Spdl. type	Nut size	FT	Kg.	Box
				Spindle	Nut					
8770409	12	96	43	SS303	-	B	14	12000	0.23	15
8770410	12	106	53	SS303	-	B	14	12000	0.24	15
8770411	12	124	71	SS303	-	B	14	12000	0.25	15
8770412	12	181	128	SS303	-	B	14	12000	0.29	15
8770413	14	96	43	SS303	-	B	14	12000	0.24	15
8770414	14	124	71	SS303	-	B	14	12000	0.27	15
8770415	14	181	128	SS303	-	B	14	12000	0.33	15
8770416	16	124	71	SS303	-	B	14	12000	0.29	10
8770417	16	181	128	SS303	-	B	14	12000	0.36	10
8770418	16	210	157	SS303	-	B	14	12000	0.40	10
8770419	16	223	170	SS303	-	B	14	12000	0.42	10
8770385	12	96	43	ZN	-	B	14	12000	0.23	15
8770386	12	106	53	ZN	-	B	14	12000	0.24	15
8770387	12	124	71	ZN	-	B	14	12000	0.25	15
8770388	12	181	128	ZN	-	B	14	12000	0.29	15
8770391	14	96	43	ZN	-	B	14	12000	0.24	15
8770392	14	124	71	ZN	-	B	14	12000	0.27	15
8770393	14	181	128	ZN	-	B	14	12000	0.33	15
8770395	16	124	71	ZN	-	B	14	12000	0.29	10
8770396	16	181	128	ZN	-	B	14	12000	0.36	10
8770397	16	210	157	ZN	-	B	14	12000	0.40	10

LEVELING FEET



Articulated heavy duty feet with fixing holes Ø125

Features

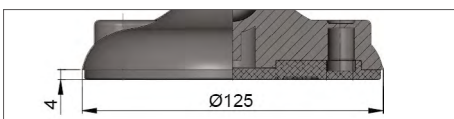
 Standard material Reinforced PA

 Color Black
On Demand Options

Different colors available

Anti-slip pad available

See page 64



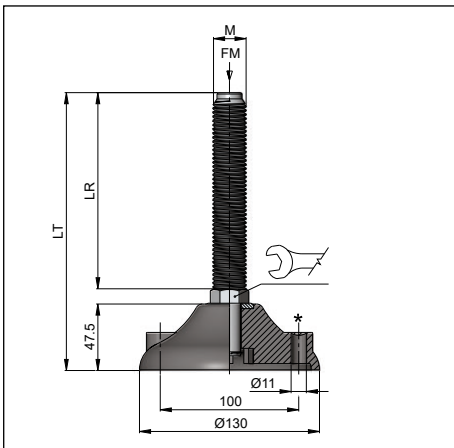
Ref.	M	LT	LR	Material		Spdl. type	Nut size	FT		Kg.	Box
				Spindle	Nut			Nw			
8772712	12	120	63	SS303	SS	B	20	15000	0.33	10	
8772713	12	170	113	SS303	SS	B	20	15000	0.36	10	
8772714	12	220	163	SS303	SS	B	20	15000	0.39	10	
8772716	14	120	63	SS303	SS	B	20	15000	0.35	10	
8772717	14	170	113	SS303	SS	B	20	15000	0.40	10	
8772718	14	220	163	SS303	SS	B	20	15000	0.45	10	
8772720	16	113	56	SS303	SS	B	20	18000	0.37	10	
8772721	16	170	113	SS303	SS	B	20	18000	0.45	10	
8772722	16	210	153	SS303	SS	B	20	18000	0.50	10	
8772723	16	250	193	SS303	SS	B	20	18000	0.54	10	
8772725	20	140	83	SS303	-	B	22	18000	0.43	10	
8772726	20	170	113	SS303	-	B	22	18000	0.50	10	
8772727	20	200	143	SS303	-	B	22	18000	0.56	10	
8772728	20	250	193	SS303	-	B	22	18000	0.66	5	
8772730	24	140	83	SS303	-	B	23	18000	0.51	6	
8772731	24	170	113	SS303	-	B	23	18000	0.59	5	
8772732	24	200	143	SS303	-	B	23	18000	0.69	5	
8772733	24	250	193	SS303	-	B	23	18000	0.83	6	
8772747	12	120	63	ZN	ZN	B	20	15000	0.33	10	
8772748	12	170	113	ZN	ZN	B	20	15000	0.36	10	
8772749	12	220	163	ZN	ZN	B	20	15000	0.39	10	
8772751	14	120	63	ZN	ZN	B	20	15000	0.35	10	
8772752	14	170	113	ZN	ZN	B	20	15000	0.40	10	
8772753	14	220	163	ZN	ZN	B	20	15000	0.45	10	
8772755	16	113	56	ZN	ZN	B	20	18000	0.37	10	
8772756	16	170	113	ZN	ZN	B	20	18000	0.45	10	
8772757	16	210	153	ZN	ZN	B	20	18000	0.50	10	
8772758	16	250	193	ZN	ZN	B	20	18000	0.54	10	
8772760	20	140	83	ZN	-	B	22	18000	0.43	10	
8772761	20	170	113	ZN	-	B	22	18000	0.50	10	
8772762	20	200	143	ZN	-	B	22	18000	0.56	10	
8772763	20	250	193	ZN	-	B	22	18000	0.66	5	
8772765	24	140	83	ZN	-	B	23	18000	0.51	6	
8773766	24	170	113	ZN	-	B	23	18000	0.59	6	
8772767	24	200	143	ZN	-	B	23	18000	0.69	6	
8772768	24	250	193	ZN	-	B	23	18000	0.83	6	

LEVELING FEET



Feet Ø130

R

S

Features

Standard material Reinforced PA

Color Black

On Demand Options

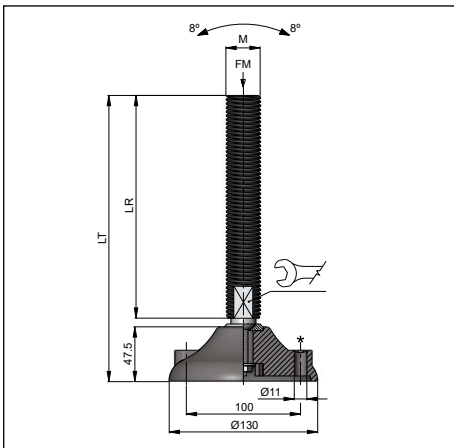
Different colors available

Anti-slip pad available

See page 64



Ref.	M	LT	LR	Material	Spdl. type	Nut size	FT	Kg.	Box
				Spindle			Nw		
8790507	16	150	92	SS303	R	22	35000	0.40	6
8790510	16	200	142	SS303	R	22	35000	0.46	6
8790525	20	150	92	SS303	R	22	35000	0.51	6
8790529	20	200	142	SS303	R	22	35000	0.61	6
8790540	24	150	102	SS303	S	20	35000	0.64	6
8790546	24	200	152	SS303	S	20	35000	0.79	6
8790560	30	150	102	SS303	S	25	35000	0.88	6
8790571	30	200	152	SS303	S	25	35000	1.12	6
8790670	16	150	92	ZN	R	22	35000	0.40	6
8790673	16	200	142	ZN	R	22	35000	0.46	6
8790705	20	150	92	ZN	R	22	35000	0.51	6
8790708	20	200	142	ZN	R	22	35000	0.61	6
8790719	24	150	102	ZN	S	20	35000	0.64	6
8790723	24	200	152	ZN	S	20	35000	0.79	6
8790732	30	150	102	ZN	S	25	35000	0.88	6
8790735	30	200	152	ZN	S	25	35000	1.12	6

Feet Ø130


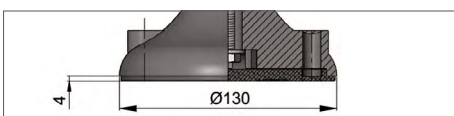
Ref.	M	LT	LR	Material	Spdl. type	Nut size	FT	Kg.	Box
				Spindle			Nw		
8781105	16	200	135	SS303	P	22	35000	0.42	6
8781120	20	200	135	SS303	P	22	35000	0.54	6
8781126	20	250	185	SS303	P	22	35000	0.64	6
8781142	24	200	145	SS303	Q	20	35000	0.68	6
8781148	24	250	195	SS303	Q	20	35000	0.83	6
8781166	30	200	145	SS303	Q	25	35000	0.95	6
8781171	30	250	195	SS303	Q	25	35000	1.19	6
8781303	16	200	135	ZN	P	22	35000	0.42	6
8781321	20	200	135	ZN	P	22	35000	0.54	6
8781336	20	250	185	ZN	P	22	35000	0.64	6
8781366	24	200	145	ZN	Q	20	35000	0.68	6
8781372	24	250	195	ZN	Q	20	35000	0.83	6
8781397	30	200	145	ZN	Q	25	35000	0.95	6
8781403	30	250	195	ZN	Q	25	35000	1.19	6

Features

Standard material Reinforced PA
 Color Black

On Demand Options

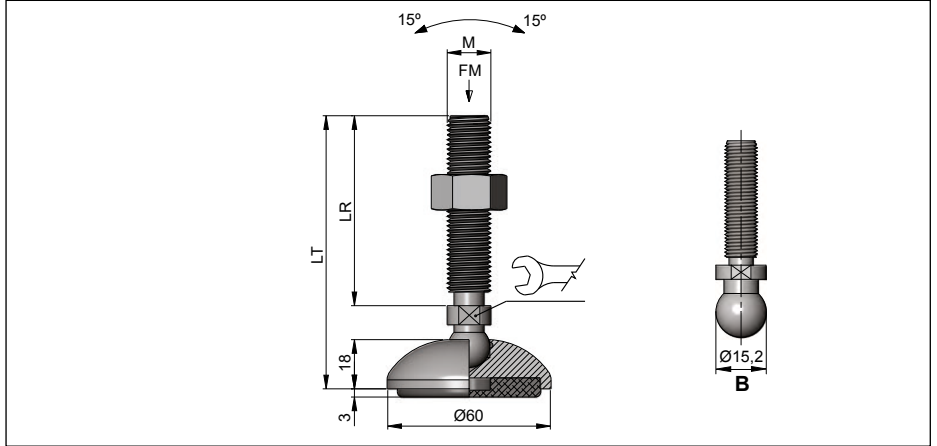
Different colors available
 Anti-slip pad available
 See page 64



LEVELING FEET



Stainless articulated feet Ø60



Features

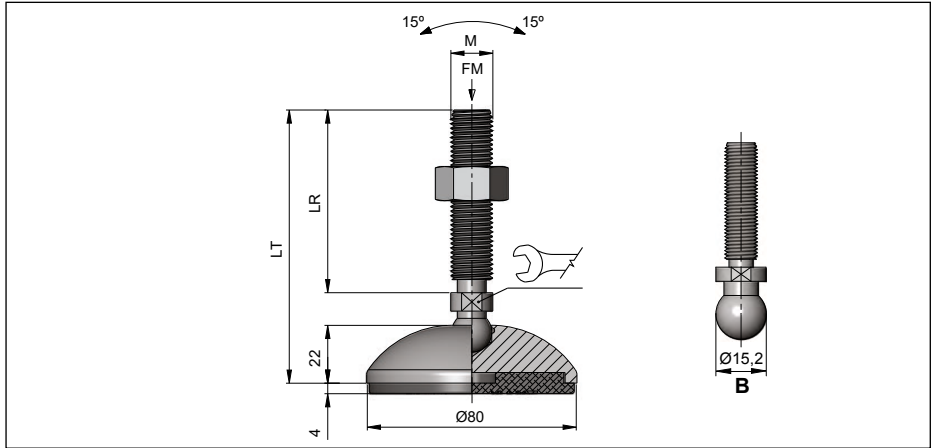
Standard material	Stainless steel
Accessories	Anti-slip pad included
Pad shore	70

Ref.	M	LT	LR	Material		Spdl. type	Nut size	FT	Kg.	Box
				Spindle	Nut					
8531050	10	75	43	SS303	SS	B	14	12000	0.23	25
8531056	10	103	71	SS303	SS	B	14	12000	0.24	25
8531061	10	160	128	SS303	SS	B	14	12000	0.27	25
8531074	12	75	43	SS303	SS	B	14	15000	0.24	25
8531080	12	103	71	SS303	SS	B	14	15000	0.26	25
8531088	12	160	128	SS303	SS	B	14	15000	0.30	25
8531101	14	75	43	SS303	SS	B	14	15000	0.26	25
8531104	14	103	71	SS303	SS	B	14	15000	0.29	25
8531112	14	160	128	SS303	SS	B	14	15000	0.36	25
8531125	16	103	71	SS303	SS	B	14	18000	0.37	25
8531128	16	160	128	SS303	SS	B	14	18000	0.39	25
8531133	16	189	157	SS303	SS	B	14	18000	0.43	25
8531139	16	202	170	SS303	SS	B	14	18000	0.44	25

LEVELING FEET



Stainless articulated feet Ø80

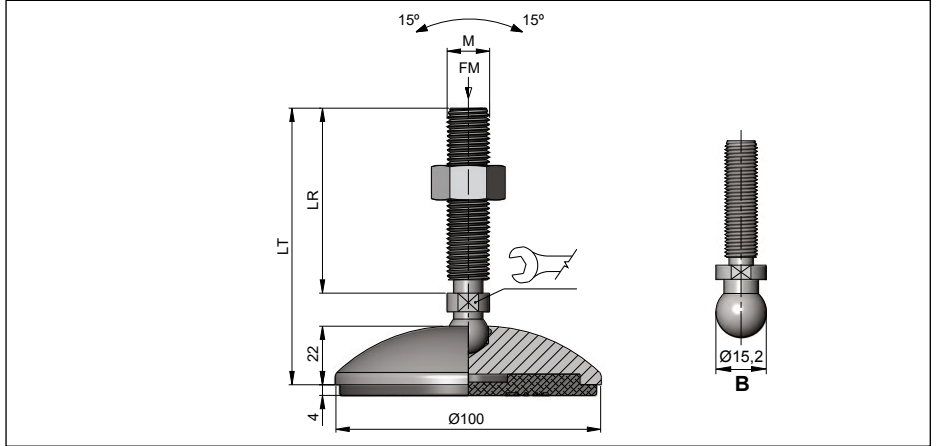


Features	
Standard material	Stainless steel
Accessories	Anti-slip pad included
Pad shore	70

Ref.	M	LT	LR	Material		Spdl. type	Nut size	FT	Kg.	Box
				Spindle	Nut					
8540358	10	79	43	SS303	SS	B	14	12000	0.45	25
8540364	10	107	71	SS303	SS	B	14	12000	0.46	15
8540369	10	164	128	SS303	SS	B	14	12000	0.49	10
8540382	12	79	43	SS303	SS	B	14	15000	0.47	25
8540388	12	107	71	SS303	SS	B	14	15000	0.49	15
8540396	12	164	128	SS303	SS	B	14	15000	0.53	10
8540409	14	79	43	SS303	SS	B	14	15000	0.48	25
8540412	14	107	71	SS303	SS	B	14	15000	0.51	15
8540420	14	164	128	SS303	SS	B	14	15000	0.58	10
8540433	16	107	71	SS303	SS	B	14	18000	0.54	15
8540436	16	164	128	SS303	SS	B	14	18000	0.62	10
8540441	16	193	157	SS303	SS	B	14	18000	0.65	10
8540447	16	206	170	SS303	SS	B	14	18000	0.66	10

LEVELING FEET

Stainless articulated feet Ø100

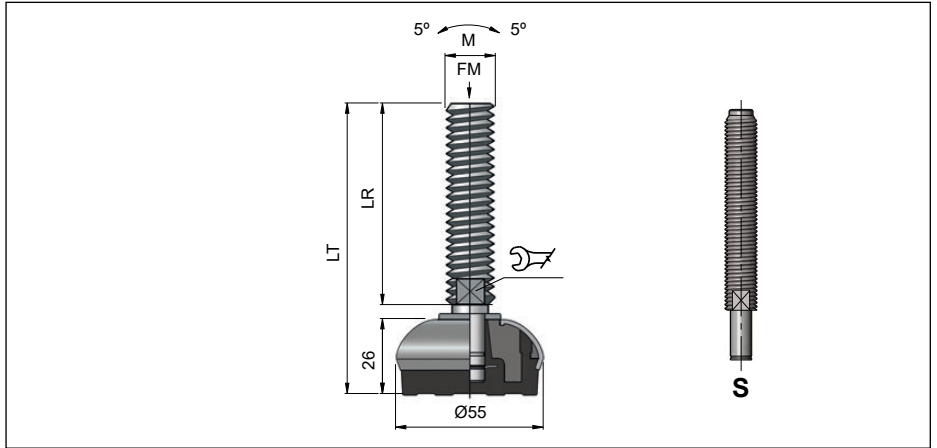


Features

Standard material	Stainless steel
Accessories	Anti-slip pad included
Pad shore	70

Ref.	M	LT	LR	Material		Spdl. type	Nut size	FT	Kg.	Box
				Spindle	Nut					
8551615	10	79	43	SS303	SS	B	14	12000	0.66	15
8551621	10	107	71	SS303	SS	B	14	12000	0.67	15
8551626	10	164	128	SS303	SS	B	14	12000	0.70	15
8551639	12	79	43	SS303	SS	B	14	15000	0.67	15
8551645	12	107	71	SS303	SS	B	14	15000	0.70	15
8551653	12	164	128	SS303	SS	B	14	15000	0.74	15
8551666	14	79	43	SS303	SS	B	14	15000	0.69	15
8551669	14	107	71	SS303	SS	B	14	15000	0.72	15
8551677	14	164	128	SS303	SS	B	14	15000	0.79	15
8551690	16	107	71	SS303	SS	B	14	18000	0.75	15
8551693	16	164	128	SS303	SS	B	14	18000	0.83	15
8551698	16	193	157	SS303	SS	B	14	18000	0.86	15
8551704	16	206	170	SS303	SS	B	14	18000	0.87	15

Stainless articulated feet Ø55

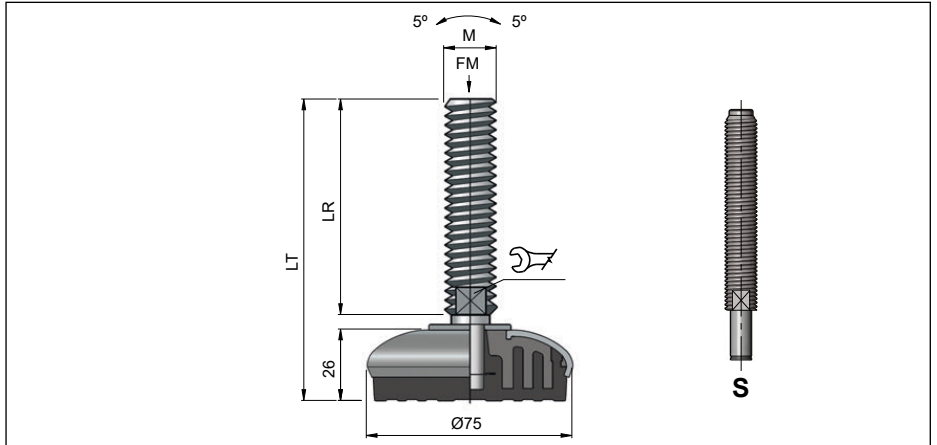


Features	
Base Material	Reinforced PP with stainless-steel cover.
Accessories	Anti-vibration rubber injected
Rubber shore	68
On Demand Options	
Different rubber colors available	

Ref.	M	LT	LR	Material		Nut size	FT	Kg.	Box
				Spindle	Nut				
8563750	12	110	70	SS303	SS	10	15000	0.16	25
8563755	14	148	108	SS303	SS	12	15000	0.22	25
8563760	16	102	58	SS303	SS	13	20000	0.22	25
8563761	16	163	119	SS303	SS	13	20000	0.30	10
8563762	16	189	145	SS303	SS	13	20000	0.30	10
8563764	16	245	201	SS303	SS	13	20000	0.40	10
8563768	20	151	107	SS303	SS	17	20000	0.38	25
8563769	20	179	135	SS303	SS	17	20000	0.44	10
8563770	20	201	157	SS303	SS	17	20000	0.48	10
8563772	20	234	190	SS303	SS	17	20000	0.56	10
8563774	20	282	238	SS303	SS	17	20000	0.67	10
8563780	24	139	90	SS303	SS	13	20000	0.44	25
8563782	24	176	127	SS303	SS	13	20000	0.57	10
8563783	24	211	162	SS303	SS	13	20000	0.66	10
8563786	24	250	201	SS303	SS	13	20000	0.78	10
8563790	30	174	125	SS303	SS	13	20000	0.82	10
8563795	30	234	185	SS303	SS	13	20000	1.11	10

LEVELING FEET

Stainless articulated feet Ø75



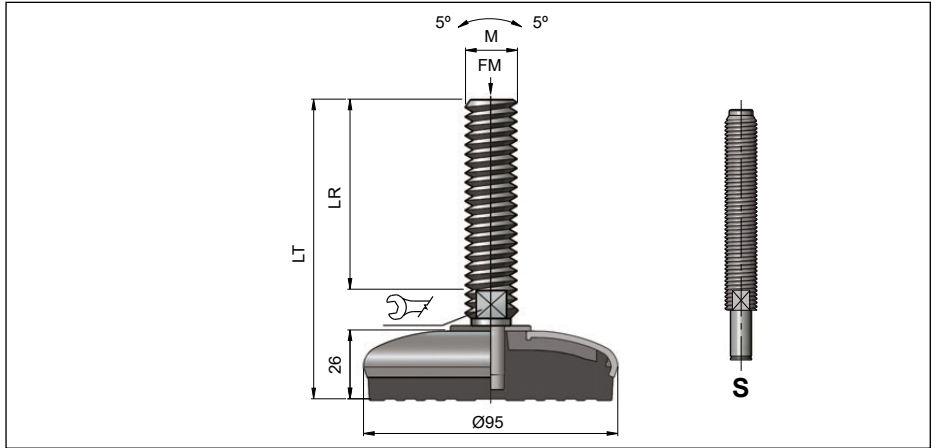
Features

Base Material	Reinforced PP with stainless-steel cover.
Accessories	Anti-vibration rubber injected
Rubber shore	68
On Demand Options	
Different rubber colors available	

Ref.	M	LT	LR	Material		Nut size	FT	Kg.	Box
				Spindle	Nut				
8567797	12	110	70	SS303	SS	10	17000	0.18	25
8567800	14	148	108	SS303	SS	12	17000	0.24	25
⊕ 8567803	16	102	58	SS303	SS	13	24000	0.24	10
8567805	16	163	119	SS303	SS	13	24000	0.32	10
⊕ 8567806	16	189	145	SS303	SS	13	24000	0.32	10
8567810	16	245	201	SS303	SS	13	24000	0.43	10
8567815	18	201	157	SS303	SS	15	24000	0.42	10
8567818	20	151	107	SS303	SS	17	24000	0.43	10
8567820	20	179	135	SS303	SS	17	24000	0.46	10
8567822	20	201	157	SS303	SS	17	24000	0.50	10
8567823	20	234	190	SS303	SS	17	24000	0.58	10
8567825	20	282	238	SS303	SS	17	24000	0.70	10
8567828	24	139	90	SS303	SS	19	24000	0.47	10
8567830	24	176	127	SS303	SS	19	24000	0.60	10
8567832	24	211	162	SS303	SS	19	24000	0.68	10
8567834	24	250	201	SS303	SS	19	24000	0.81	10
8567838	30	174	125	SS303	SS	24	24000	0.85	10
8567840	30	234	185	SS303	SS	24	24000	1.13	10

⊕ Best seller

Stainless articulated feet Ø95

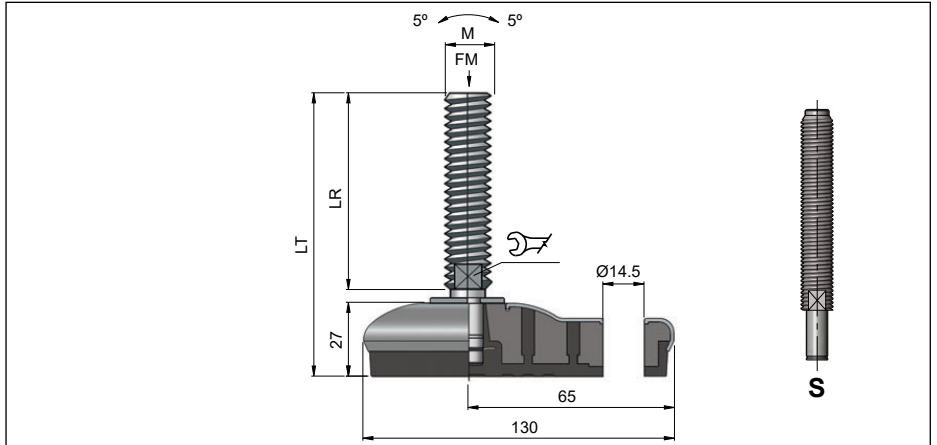


Features	
Base Material	Reinforced PP with stainless-steel cover.
Accessories	Anti-vibration rubber injected
Rubber shore	68
On Demand Options	
Different rubber colors available	

Ref.	M	LT	LR	Material		Spdl. type	Nut size	FT		Kg.	Box
				Spindle	Nut			Nw			
8573811	16	102	58	SS303	SS	S	13	27000	0.31	15	
8573815	16	163	119	SS303	SS	S	13	27000	0.39	10	
8573853	20	181	136	SS303	SS	S	17	27000	0.55	5	
8573865	24	250	206	SS303	SS	S	19	27000	0.70	5	

LEVELING FEET

Stainless articulated feet with side fixing 95x130



Features

Standard material	Stainless steel cover
Accessories	Anti-vibration rubber injected
Rubber shore	68

On Demand Options

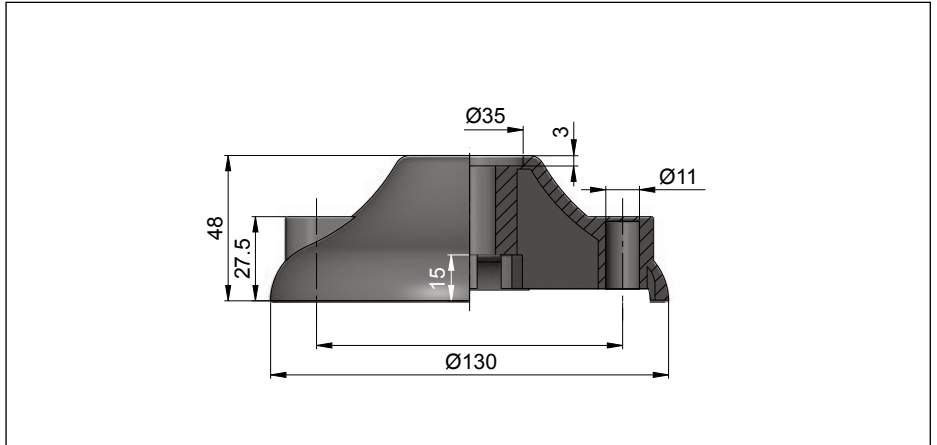
Different rubber colors available

Ref.	M	LT	LR	Material		Spdl. type	Nut size	FT	Kg.	Box
				Spindle	Nut					
8574875	12	110	70	SS303	SS	S	10	17000	0.32	20
8574877	14	148	108	SS303	SS	S	12	17000	0.38	20
8574880	16	102	58	SS303	SS	S	13	27000	0.38	20
8574881	16	163	119	SS303	SS	S	13	27000	0.46	10
8574882	16	189	145	SS303	SS	S	13	27000	0.46	10
8574883	16	245	201	SS303	SS	S	13	27000	0.57	10
8574887	18	201	157	SS303	SS	S	15	27000	0.56	10
⊕ 8574890	20	151	107	SS303	SS	S	17	27000	0.54	20
8574891	20	179	135	SS303	SS	S	17	27000	0.60	10
⊕ 8574892	20	201	157	SS303	SS	S	17	27000	0.64	10
8574893	20	234	190	SS303	SS	S	17	27000	0.74	10
8574894	20	282	238	SS303	SS	S	17	27000	0.90	10
8574896	24	139	90	SS303	SS	S	19	27000	0.61	20
8574897	24	176	127	SS303	SS	S	19	27000	0.74	10
8574898	24	211	162	SS303	SS	S	19	27000	0.82	10
8574899	24	250	201	SS303	SS	S	19	27000	0.97	10
8574901	30	174	125	SS303	SS	S	24	27000	0.99	10
8574905	30	234	185	SS303	SS	S	24	27000	1.27	10

⊕ Best seller



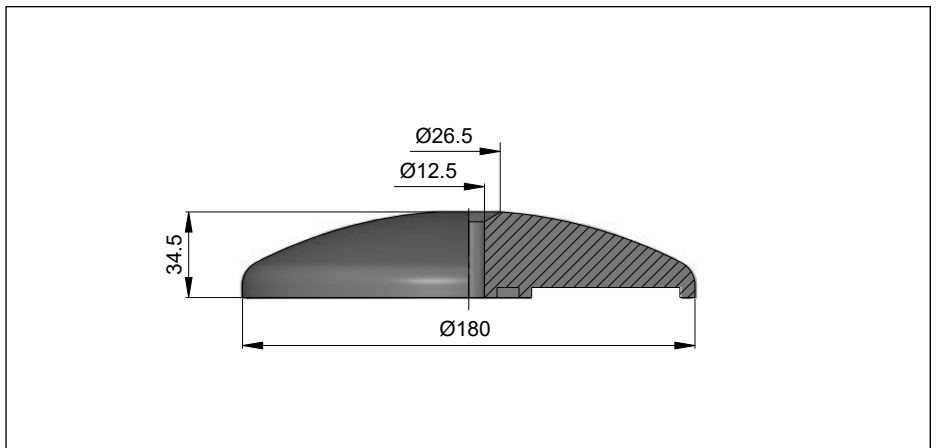
Feet base Ø130



Features	
Standard material	Reinforced PA
Color	Black
Accessories	
Anti-slip pad included	Rubber shore 70

Ref.	Kg.	Box
8781075	0.21	15

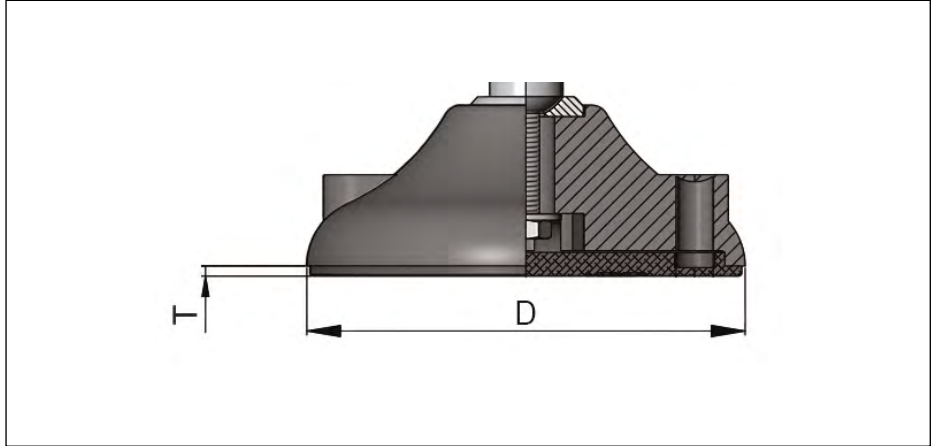
Feet base Ø130



Features	
Standard material	Reinforced PA
Color	Black
Accessories	
Anti-slip pad included	Rubber shore 70

Ref.	Kg.	Box
8785080	0.35	15

Anti-slip pads

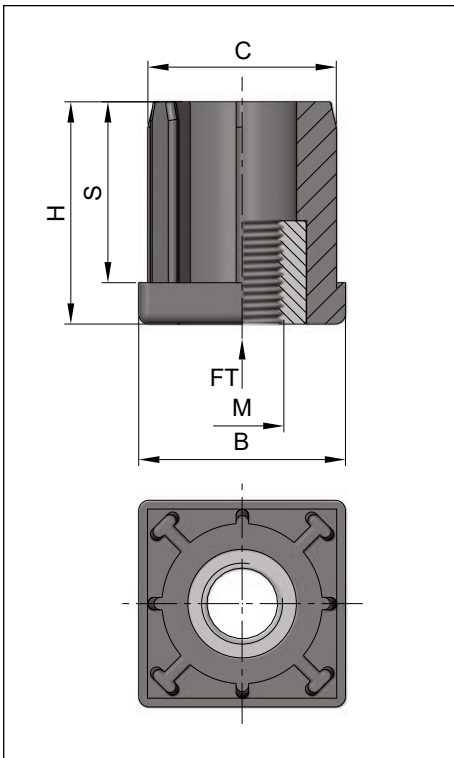


Features

Standard material	Rubber, 70 shore
Colour	Black

REF	ØD	Thickness (T)	Box
	mm	mm	
GOMAAV040	40	2	50
GOMAAV050	50	2	50
GOMAAV063	63	2	50
⊕ GOMAAV080	80	2	50
⊕ GOMAAV100	100	4	50
GOMAAV110	110	4	50
GOMAAV125	125	4	50
GOMAAV130	130	4	50
GOMAAV180	180	4	50

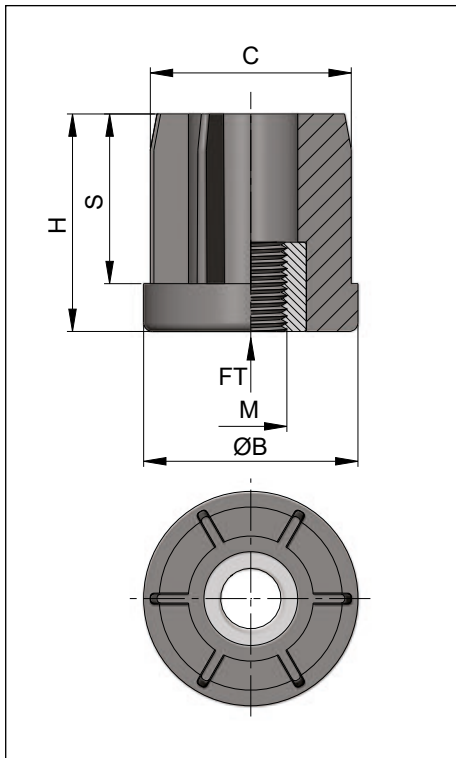
⊕ Best seller

Threaded square tube ends

Features

Standard material	Reinforced PA
Bushing material	Nickel plated brass

Best seller

Ref.	M	B	C	H	S	Dimensions			FT		Kg.	Box
						Ext.	Int.	Thck.	Nw			
1482201	8	25	22.5	30	25	25.0	22.0	1.5	5000	0.04	100	
1482205	10	25	22.5	30	25	25.0	22.0	1.5	5000	0.04	100	
1482209	12	25	22.5	30	25	25.0	22.0	1.5	5000	0.04	100	
1482211	10	30	27.5	33	27	30.0	27.0	1.5	5500	0.04	100	
1482212	12	30	27.5	33	27	30.0	27.0	1.5	5500	0.04	100	
1482213	14	30	27.5	33	27	30.0	27.0	1.5	5500	0.04	100	
1482214	16	30	27.5	33	27	30.0	27.0	1.5	5500	0.04	100	
1482215	10	30	26.5	33	27	30.0	26.0	2.0	5500	0.04	100	
1482216	12	30	26.5	33	27	30.0	26.0	2.0	5500	0.04	100	
1482217	14	30	26.5	33	27	30.0	26.0	2.0	5500	0.04	100	
1482218	16	30	26.5	33	27	30.0	26.0	2.0	5500	0.04	100	
1482221	10	35	32.5	43	35	35.0	32.0	1.5	5500	0.04	60	
1482222	12	35	32.5	43	35	35.0	32.0	1.5	5500	0.04	60	
1482223	14	35	32.5	43	35	35.0	32.0	1.5	5500	0.04	60	
1482224	16	35	32.5	43	35	35.0	32.0	1.5	5500	0.04	60	
1482225	20	35	32.5	43	35	35.0	32.0	1.5	5500	0.04	60	
1482230	10	38	35.4	43	35	38.1	34.9	1.6	6000	0.05	50	
1482231	12	38	35.4	43	35	38.1	34.9	1.6	6000	0.05	50	
1482232	14	38	35.4	43	35	38.1	34.9	1.6	6000	0.05	50	
1482233	16	38	35.4	43	35	38.1	34.9	1.6	6000	0.05	50	
1482234	20	38	35.4	43	35	38.1	34.9	1.6	6000	0.05	50	
1482240	10	40	37.5	43	35	40.0	37.0	1.5	6000	0.05	50	
1482241	12	40	37.5	43	35	40.0	37.0	1.5	6000	0.05	50	
1482242	14	40	37.5	43	35	40.0	37.0	1.5	6000	0.06	50	
⊕ 1482243	16	40	37.5	43	35	40.0	37.0	1.5	6000	0.06	50	
⊕ 1482244	20	40	37.5	43	35	40.0	37.0	1.5	6000	0.06	50	
1482247	10	40	36.5	43	35	40.0	36.0	2.0	6000	0.06	50	
1482248	12	40	36.5	43	35	40.0	36.0	2.0	6000	0.06	50	
1482249	14	40	36.5	43	35	40.0	36.0	2.0	6000	0.06	50	
⊕ 1482250	16	40	36.5	43	35	40.0	36.0	2.0	6000	0.06	50	
⊕ 1482251	20	40	36.5	43	35	40.0	36.0	2.0	6000	0.06	50	
1482254	12	50	47.5	55	44	50.0	47.0	1.5	10000	0.10	25	
1482255	14	50	47.5	55	44	50.0	47.0	1.5	10000	0.10	25	
⊕ 1482256	16	50	47.5	55	44	50.0	47.0	1.5	10000	0.10	25	
⊕ 1482257	20	50	47.5	55	44	50.0	47.0	1.5	10000	0.10	25	
1482265	12	50	46.5	55	44	50.0	46.0	2.0	10000	0.10	25	
1482266	14	50	46.5	55	44	50.0	46.0	2.0	10000	0.10	25	
⊕ 1482267	16	50	46.5	55	44	50.0	46.0	2.0	10000	0.10	25	
⊕ 1482268	20	50	46.5	55	44	50.0	46.0	2.0	10000	0.10	25	
1482309	12	50	45.5	55	44	50.0	45.0	2.5	10000	0.10	25	
1482311	14	50	45.5	55	44	50.0	45.0	2.5	10000	0.10	25	
1482314	16	50	45.5	55	44	50.0	45.0	2.5	10000	0.10	25	
1482318	20	50	45.5	55	44	50.0	45.0	2.5	10000	0.10	25	
1482270	14	60	56.5	55	45	60.0	56.0	2.0	12000	0.14	12	
1482271	16	60	56.5	55	45	60.0	56.0	2.0	12000	0.14	12	
1482272	20	60	56.5	55	45	60.0	56.0	2.0	12000	0.14	12	

Threaded round tube ends


Ref.	M	B	C	H	S	Dimensions			FT	Kg.	Box
						Ext.	Int.	Thck.			
1483360	10	38	35.5	43.0	34.0	38.0	35.0	1.5	5000	0.05	50
1483361	12	38	35.5	43.0	34.0	38.0	35.0	1.5	5000	0.05	50
1483362	14	38	35.5	43.0	34.0	38.0	35.0	1.5	5000	0.05	50
1483363	16	38	35.5	43.0	34.0	38.0	35.0	1.5	5000	0.05	50
1483365	10	42	39.9	42.0	34.0	42.4	39.4	1.5	6000	0.07	50
1483366	12	42	39.9	42.0	34.0	42.4	39.4	1.5	6000	0.07	50
1483367	14	42	39.9	42.0	34.0	42.4	39.4	1.5	6000	0.07	50
1483368	16	42	39.9	42.0	34.0	42.4	39.4	1.5	6000	0.07	50
1483369	20	42	39.9	42.0	34.0	42.4	39.4	1.5	6000	0.07	50
1483380	12	48	45.8	49.0	38.0	48.3	45.3	1.5	6000	0.09	40
1483381	14	48	45.8	49.0	38.0	48.3	45.3	1.5	6000	0.09	40
★ 1483382	16	48	45.8	49.0	38.0	48.3	45.3	1.5	6000	0.09	40
★ 1483383	20	48	45.8	49.0	38.0	48.3	45.3	1.5	6000	0.09	40
1483384	12	48	45.0	49.0	38.0	48.3	44.3	2.0	6000	0.09	40
1483385	14	48	45.0	49.0	38.0	48.3	44.3	2.0	6000	0.09	40
★ 1483386	16	48	45.0	49.0	38.0	48.3	44.3	2.0	6000	0.09	40
1483387	20	48	45.0	49.0	38.0	48.3	44.3	2.0	6000	0.09	40
1483390	16	60	56.7	54.5	44.5	60.3	56.3	2.0	8000	0.10	15
1483391	20	60	56.7	54.5	44.5	60.3	56.3	2.0	8000	0.10	15
1483392	24	60	56.7	54.5	44.5	60.3	56.3	2.0	8000	0.10	15
1483405	16	60	56.0	54.5	44.5	60.3	55.3	2.5	8000	0.10	15
1483406	20	60	56.0	54.5	44.5	60.3	55.3	2.5	8000	0.10	15
1483407	24	60	56.0	54.5	44.5	60.3	55.3	2.5	8000	0.10	15

★ Best seller

Features

- Standard material Reinforced PA
- Bushing material Nickel plated brass



p. 69	p. 69	p. 70	p. 70	p. 71	p. 72
					
p. 73	p. 75	p. 76	p. 77	p. 80	p. 82
					
p. 83	p. 84	p. 85	p. 86	p. 89	p. 93
					
p. 94	p. 95	p. 96	p. 97	p. 98	p. 100
					
p. 102	p. 104	p. 104	p. 105	p. 109	p. 111
					
p. 115	p. 116	p. 117	p. 119	p. 120	p. 121
					



p. 123



p. 126



p. 127



p. 128



p. 129



p. 130



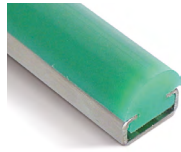
p. 133



p. 135



p. 149



p. 158



p. 158



p. 159



p. 160



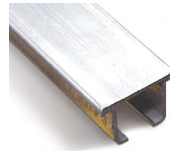
p. 160



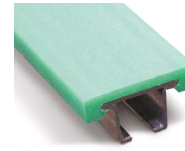
p. 162



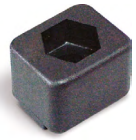
p. 164



p. 164



p. 166



p. 166



p. 167



p. 168



p. 169



p. 172



p. 173



p. 174



p. 175



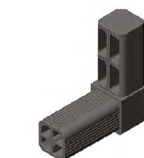
p. 176



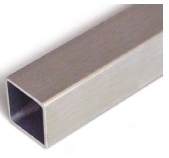
p. 177



p. 179



p. 180



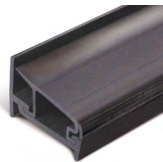
p. 181



p. 181



p. 181



p. 182



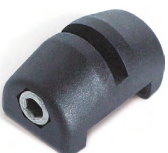
p. 182



p. 182



p. 183



p. 183



p. 184

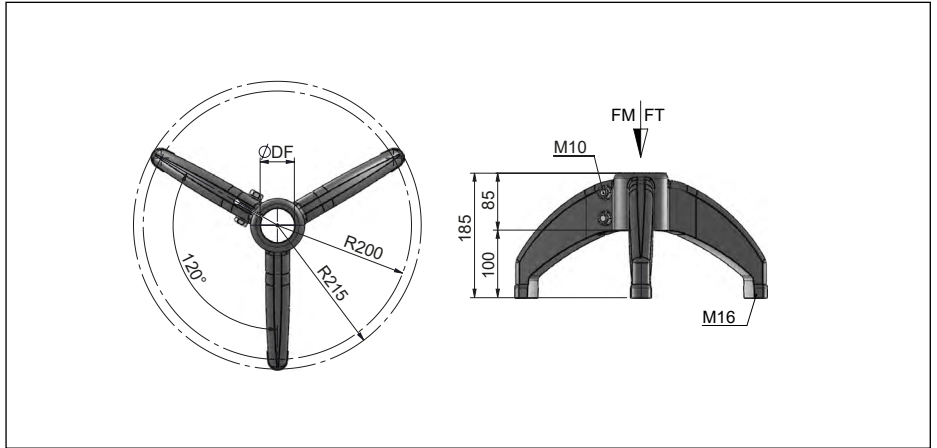


p. 185



p. 187

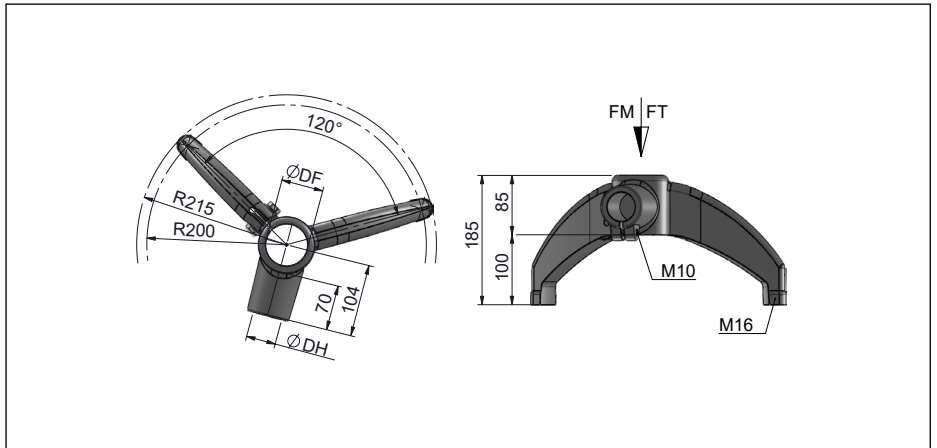




Features	
Standard material	Reinforced PA
Bolts and nuts material	AISI 304
Colour	Black
On Demand Options	
Zinc plated steel bolts and nuts	
Different materials and colours available	
Assembling of: Bolts and nuts	

Ref.	DF		FM Load (Nw)	FT Load (Nw)	Box
	mm	in	Max Load	Work Load	
8310005 NV	42.4	1.25	15800	9600	8
8310008 NV	48.3	1.50	15800	9600	8
8310010 NV	50.8	-	15800	9600	8
8310012 NV	60.3	2.00	15800	9600	8

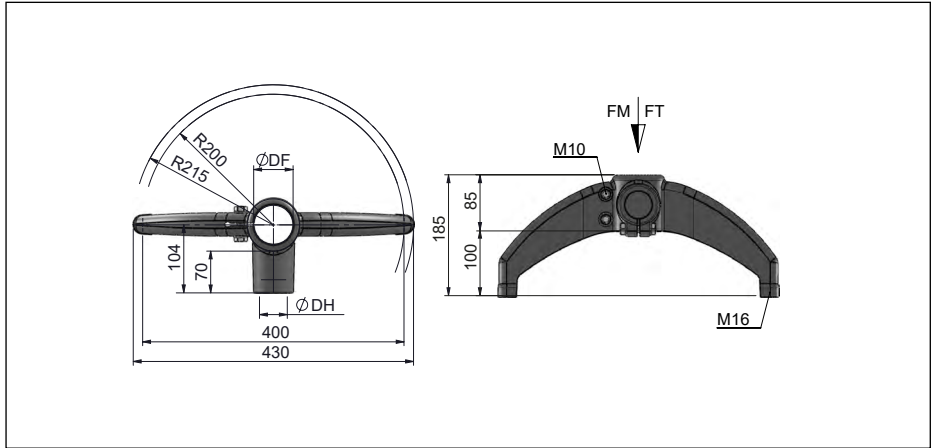
Best seller



Features	
Standard material	Reinforced PA
Bolts and nuts material	AISI 304
Colour	Black
On Demand Options	
Zinc plated steel bolts and nuts	
Different materials and colours available	
Assembling of: Bolts and nuts	

Ref.	DF		DH		FM Load (Nw)	FT Load (Nw)	Box
	mm	in	mm	in	Max Load	Work Load	
8310037 NV	42.4	1.25	42.4	1.25	15800	9600	8
8310038 NV	48.3	1.50	42.4	1.25	15800	9600	8
8310041 NV	48.3	1.50	48.3	1.50	15800	9600	8
8310039 NV	50.8	-	42.4	1.25	15800	9600	8
8310042 NV	50.8	-	48.3	1.50	15800	9600	8
8310040 NV	60.3	2.00	42.4	1.25	15800	9600	8
8310043 NV	60.3	2.00	48.3	1.50	15800	9600	8

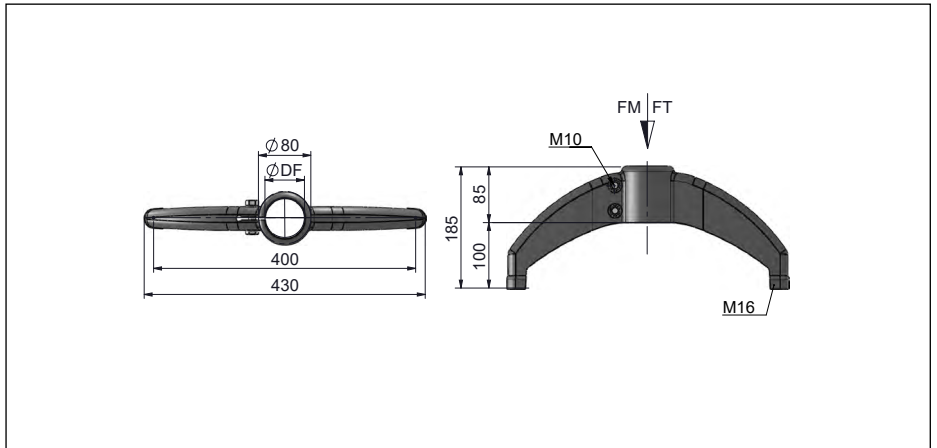
Best seller



Features	
Standard material	Reinforced PA
Bolts and nuts material	AISI 304
Colour	Black
On Demand Options	
Zinc plated steel bolts and nuts	
Different materials and colours available	
Assembling of: Bolts and nuts	

Ref.	DF		DH		FM Load (Nw)	FT Load (Nw)	Box
	mm	in	mm	in	Max Load	Work Load	
8310064 NV	42.4	1.25	42.4	1.25	15800	9600	8
8310061 NV	48.3	1.50	42.4	1.25	15800	9600	8
8310065 NV	48.3	1.50	48.3	1.50	15800	9600	8
8310062 NV	50.8	-	42.4	1.25	15800	9600	8
8310066 NV	50.8	-	48.3	1.50	15800	9600	8
8310063 NV	60.3	2.00	42.4	1.25	15800	9600	8
8310067 NV	60.3	2.00	48.3	1.50	15800	9600	8

Best seller

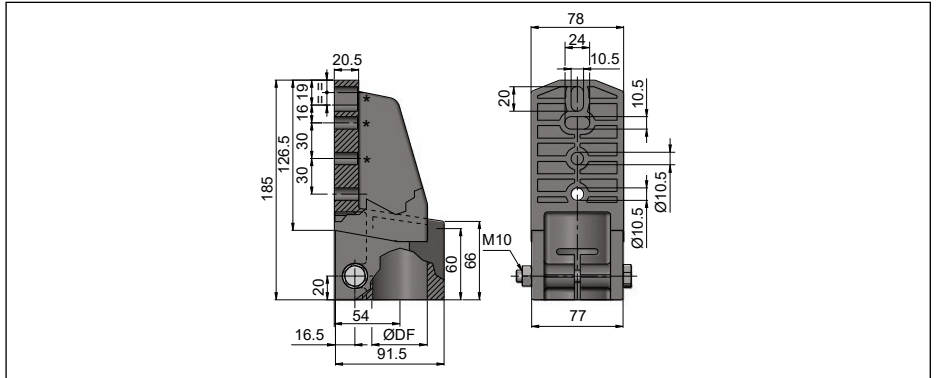


Features	
Standard material	Reinforced PA
Bolts and nuts material	AISI 304
Colour	Black
On Demand Options	
Zinc plated steel bolts and nuts	
Different materials and colours available	
Assembling of: Bolts and nuts	

Ref.	DF		FM Load (Nw)	FT Load (Nw)	Box
	mm	in	Max Load	Work Load	
8310057 NV	42.4	1.25	15800	9600	8
8310058 NV	48.3	1.50	15800	9600	8
8310059 NV	50.8	-	15800	9600	8
8310060 NV	60.3	2.00	15800	9600	8

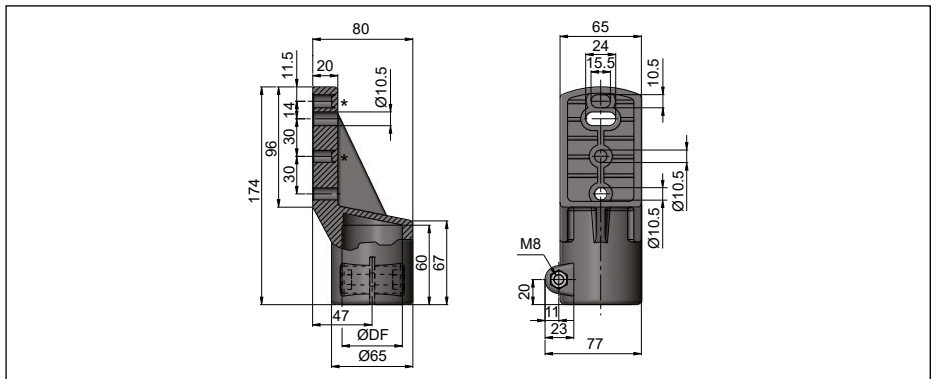
Best seller





Specifications	
Bracket material	Reinforced polyamide
Bolts and nuts	Stainless steel
Notes	
(*) to use this hole break the diaphragm	

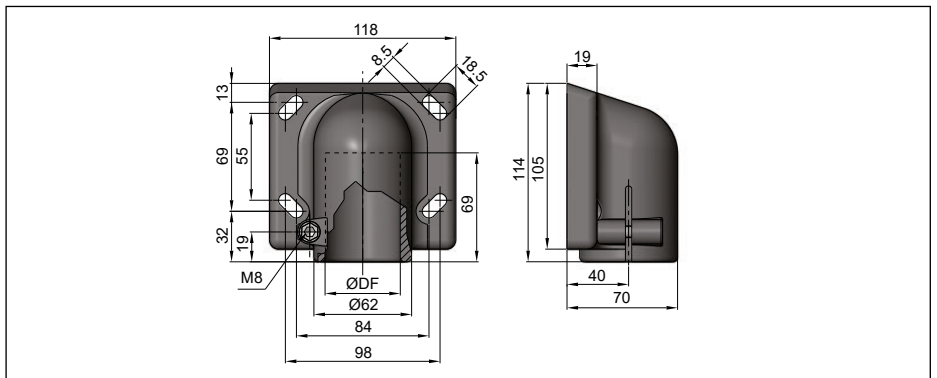
Ref.	DF		FT (Nw) Work Load	Kg.	Box
	mm	inch			
8330119	48.3	1 1/2	4000	0.58	8
8330121	60.3	2	4000	0.58	8



Specifications	
Bracket material	Reinforced polyamide
Bolts and nuts	Stainless steel
Notes	
(*) to use this hole break the diaphragm	

Ref.	DF		FT (Nw) Work Load	Kg.	Box
	mm	inch			
8330125	48.3	1 1/2	3500	0.36	10
8330126	50.9	-	3500	0.36	10

Best seller

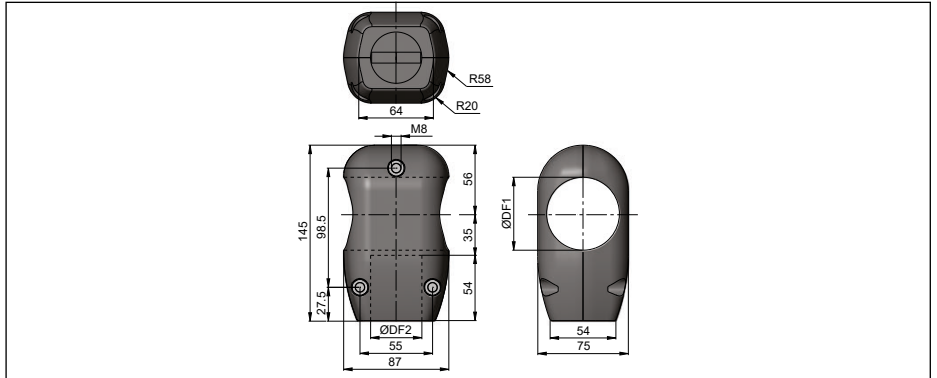


Specifications	
Bracket material	Reinforced polyamide
Bolts and nuts	Stainless steel
Notes	
(*) to use this hole break the diaphragm	

Ref.	DF		FT (Nw) Work Load	Kg.	Box
	mm	inch			
8330135	48.3	1 1/2	3500	0.34	10

COMPONENTS





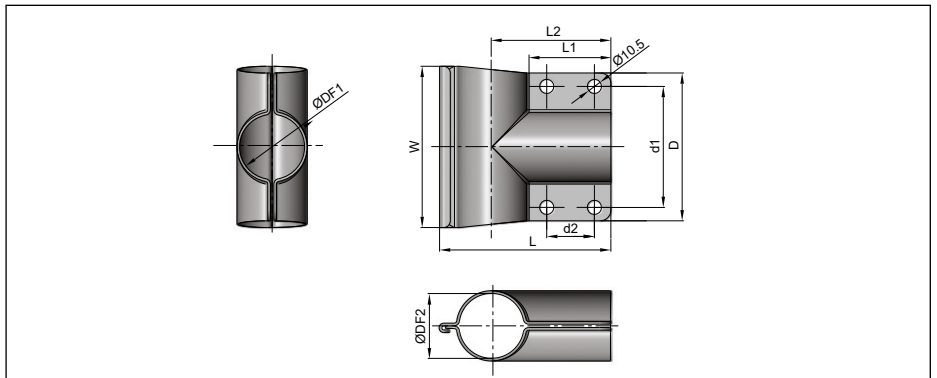
Specifications

Bracket material	Reinforced polyamide
Bolts and nuts	Stainless steel

Ref.	DF1		DF2		FT (Nw)	FD	Kg.	Box
	mm	inch	mm	inch	Work Load	Nw		
8330045	42.4	1 1/4	32	-	3500	2000	0.40	10
8330046	42.4	1 1/4	42.4	1 1/4	3500	2000	0.40	10
8330047	48.3	1 1/2	32	-	3500	2000	0.40	10
8330048	48.3	1 1/2	42.4	1 1/4	3500	2000	0.40	10
8330049	60.3	2	32	-	3500	2000	0.39	10
8330050	60.3	2	42.4	1 1/4	3500	2000	0.39	10

⊛ Best seller

COMPONENTS

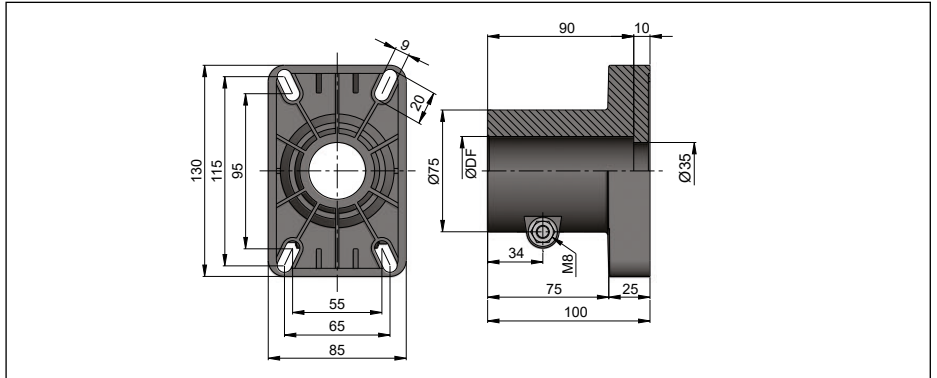


Specifications

Bracket material	Stainless steel
------------------	-----------------

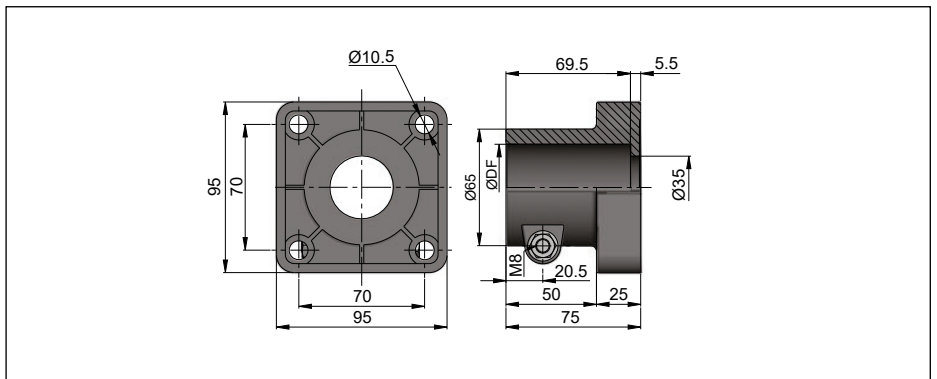
Ref.	W	D	d1	d2	L	L1	L2	DF1	DF2	Kg.	Box
8360501	120	100	80.5	35.5	127	61.3	88.7	48.3	48.3	0.52	10
8360530	140	118	92	35	143	64	98	60.3	60.3	0.68	8





Specifications	
Bracket material	Reinforced polyamide
Bolts and nuts	Stainless steel

Ref.	DF		FT (Nw)	Kg.	Box
	mm	inch	Work Load		
8330052	42.4	1 1/4	2000	0.35	8
8330053	48.3	1 1/2	2000	0.35	8
8330054	50.9	-	2000	0.35	8
8330055	60.3	2	2000	0.34	8

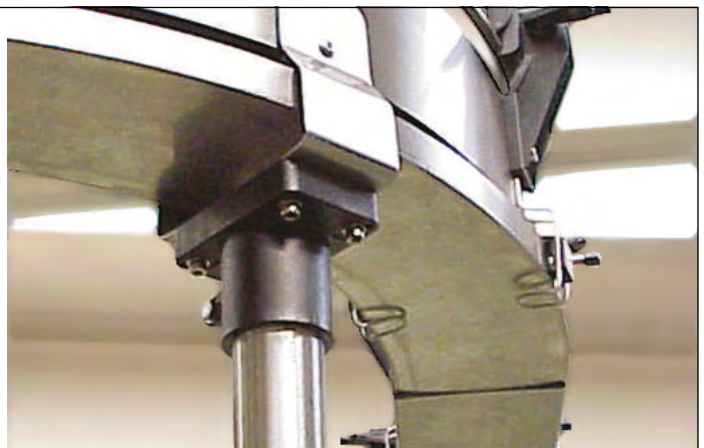


Specifications	
Bracket material	Reinforced polyamide
Bolts and nuts	Stainless steel

Ref.	DF		FT (Nw)	Kg.	Box
	mm	inch	Work Load		
8330112	48.3	1 1/2	1500	0.3	15
8330114	50.9	-	1500	0.3	15

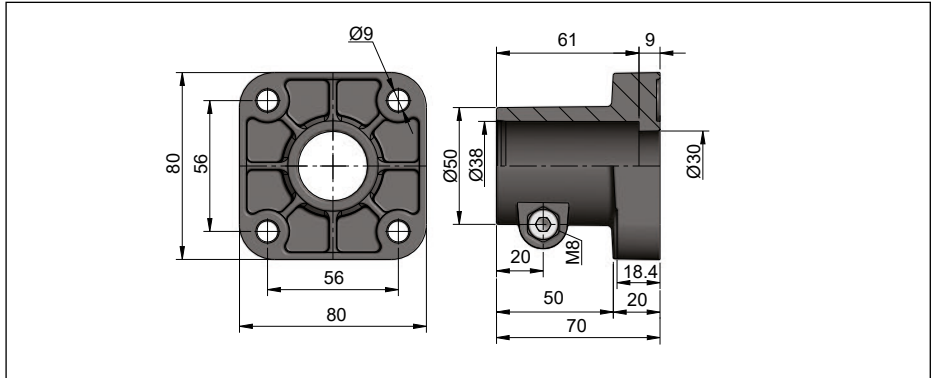
Best seller

Example of application



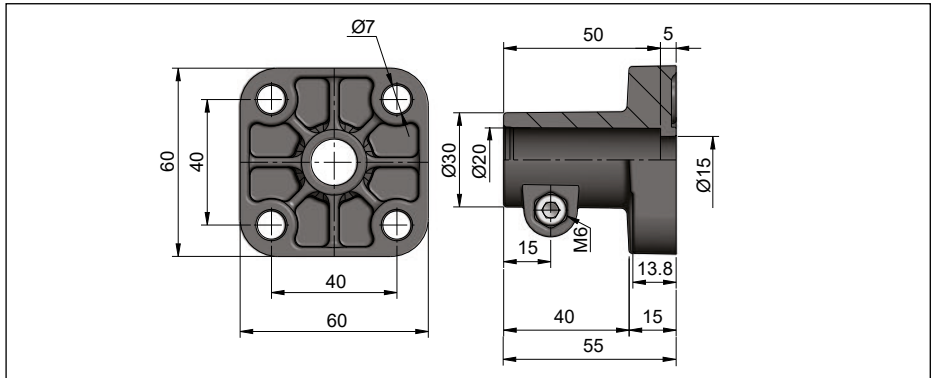
COMPONENTS





Specifications	
Bracket material	Reinforced polyamide
Bolts and nuts	Stainless steel

Ref.	FT (Nw)	Kg.	Box
	Work Load		
8330082	1200	0.17	20

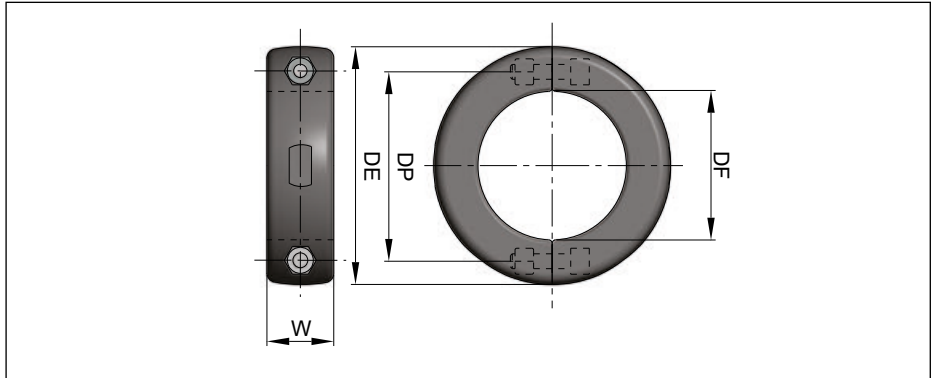


Specifications	
Bracket material	Reinforced polyamide
Bolts and nuts	Stainless steel

Ref.	FT (Nw)	Kg.	Box
	Work Load		
8330071	800	0.07	20

Example of application

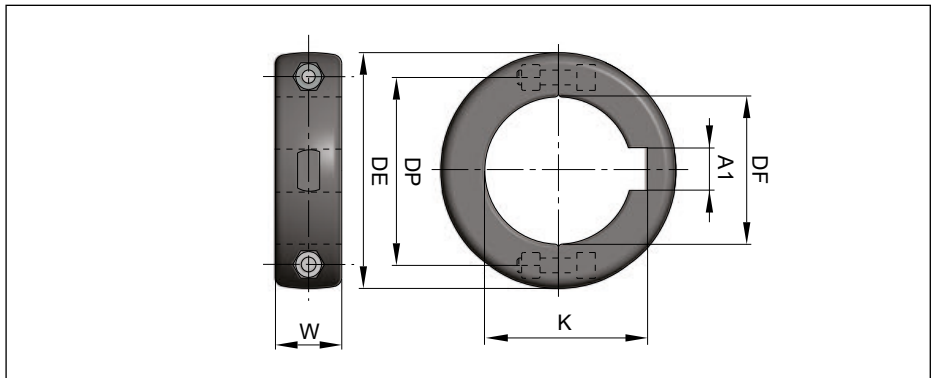




Specifications	
Bracket material	Reinforced polyamide
Bolts and nuts	Stainless steel

Ref.	DF	DE	DP	W	Kg.	Box
8235324	10	30	20	12	0.01	100
★ 8235325	12	30	20	12	0.01	100
8235327	14	30	20	12	0.01	100
8235329	15	39	27	14	0.02	100
8235331	16	39	27	14	0.02	100
8235334	18	39	27	14	0.02	100
★ 8235350	20	40	29	14	0.02	100
★ 8235351	25	45	35	14	0.02	100
★ 8235352	30	55	45	16	0.03	60
★ 8235353	35	60	47	16	0.03	60
★ 8235354	40	64	51	18	0.04	50

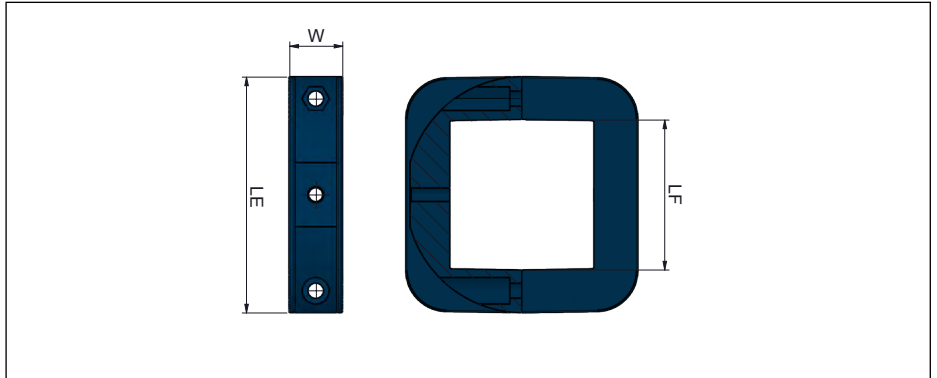
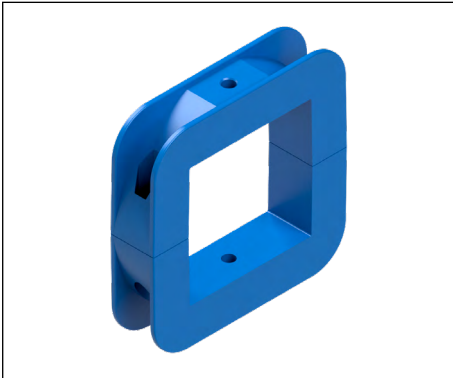
Dimensions in mm | ★ Best seller



Specifications	
Bracket material	Reinforced polyamide
Bolts and nuts	Stainless steel

Ref.	A1	K	DF	DE	DP	W	Kg	Box
★ 8235381	8	28.3	25	45	35	14	0.02	100
★ 8235386	8	33.3	30	55	45	16	0.03	60
★ 8235390	10	38.3	35	60	47	16	0.03	60
★ 8235395	12	43.3	40	64	51	18	0.04	50

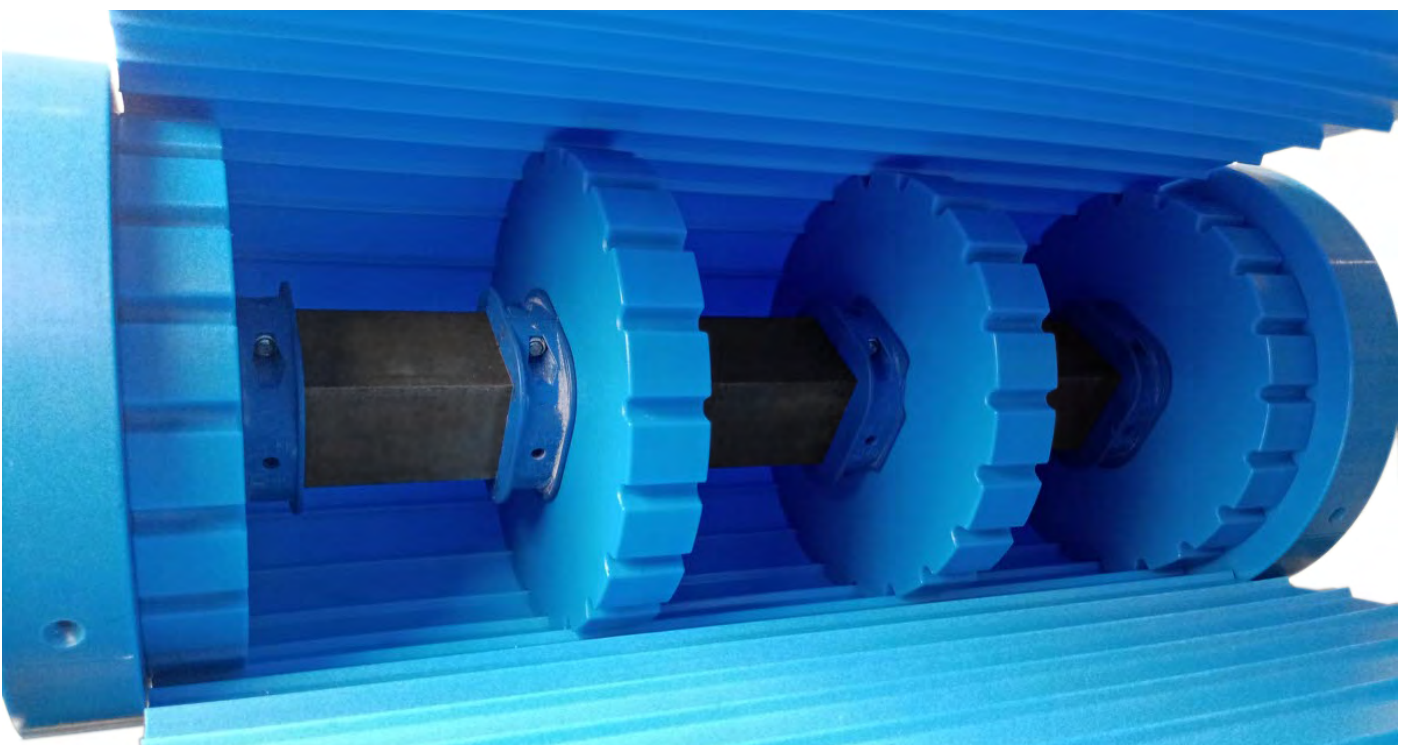
Dimensions in mm | ★ Best seller

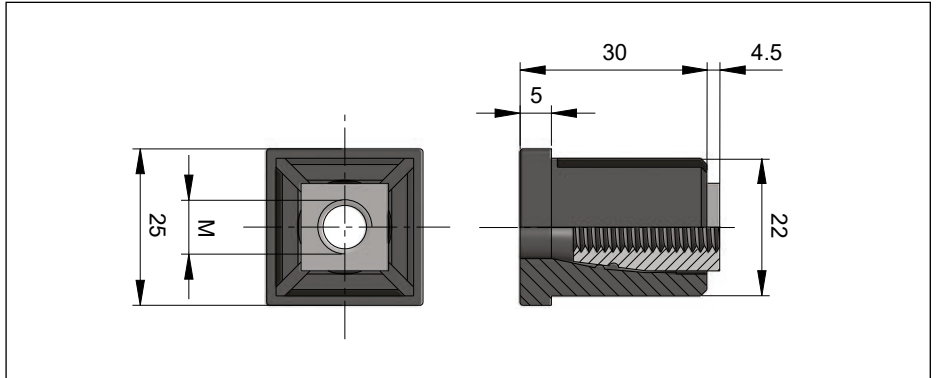

Specifications

Bracket material	Reinforced polyamide
Colour	Blue
Bolts and nuts	Stainless-steel

Ref.	LF		LE	W	Kg.	Box
	mm	in				
95PA6SQ40MMB4	40	-	64	18	0.170	4
95PA6SQ50MMB4	50	-	81	18	0.226	4
95PA6SQ60MMB4	60	-	96	18	0.356	4
95PA6SQ40MMB20	40	-	64	18	0.886	20
95PA6SQ50MMB20	50	-	81	18	1.381	20
95PA6SQ60MMB20	60	-	96	18	1.835	20
95PA6SQ10INCHB4	-	1.00	45	18	0.085	4
95PA6SQ15INCHB4	-	1.50	63	18	0.186	4
95PA6SQ25INCHB4	-	2.50	96	18	0.318	4
95PA6SQ10INCHB20	-	1.00	45	18	0.389	20
95PA6SQ15INCHB20	-	1.50	63	18	0.961	20
95PA6SQ25INCHB20	-	2.50	96	18	1.370	20

COMPONENTS





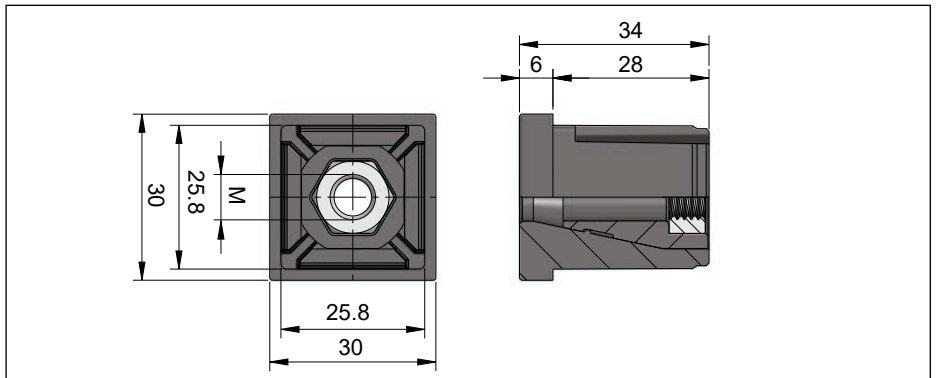
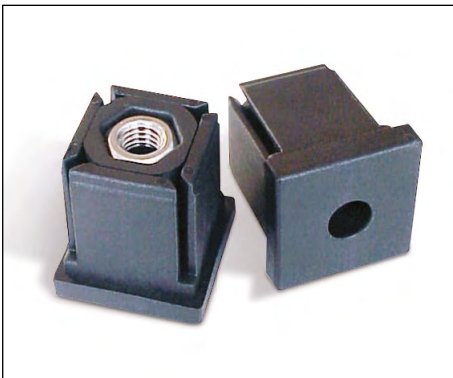
Specifications

Bracket material	Reinforced polyamide
Bush material	Nickel plated brass

Notes

For 25 x 1.5mm square tube

Ref.	M	Kg.	Box
1485470	M8	0.03	100
1485495	M10	0.03	100



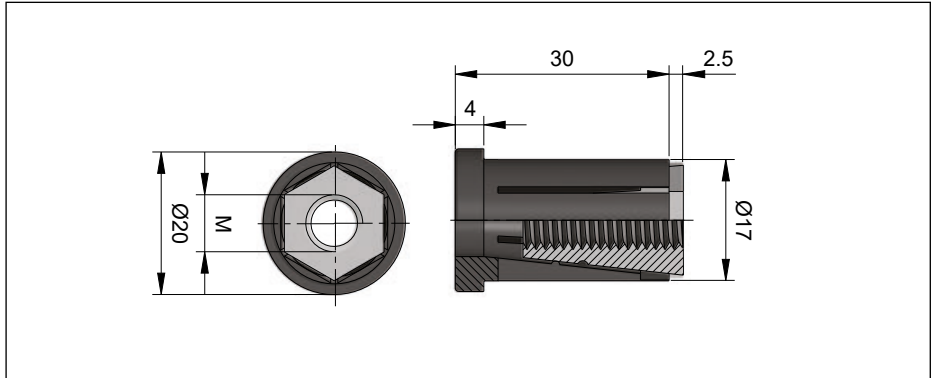
Specifications

Bracket material	Reinforced polyamide
Bolts and nuts	Stainless steel

Notes

For 30 x 30 x 2mm square tube

Ref.	M	Kg.	Box
1485540	M8	0.03	100



Specifications

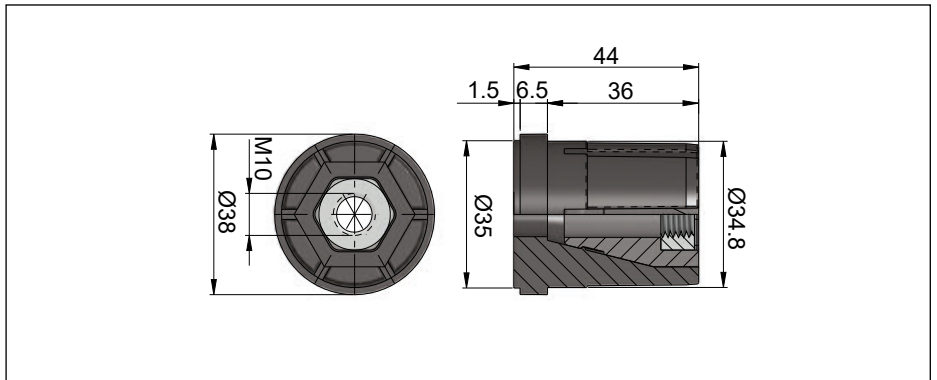
Bracket material	Reinforced polyamide
Bush material	Nickel plated brass

Notes

For 20 x 1.5mm round tube

Ref.	M	Kg.	Box
1486505	M8	0.02	100
1486526	M10	0.02	100

COMPONENTS



Specifications

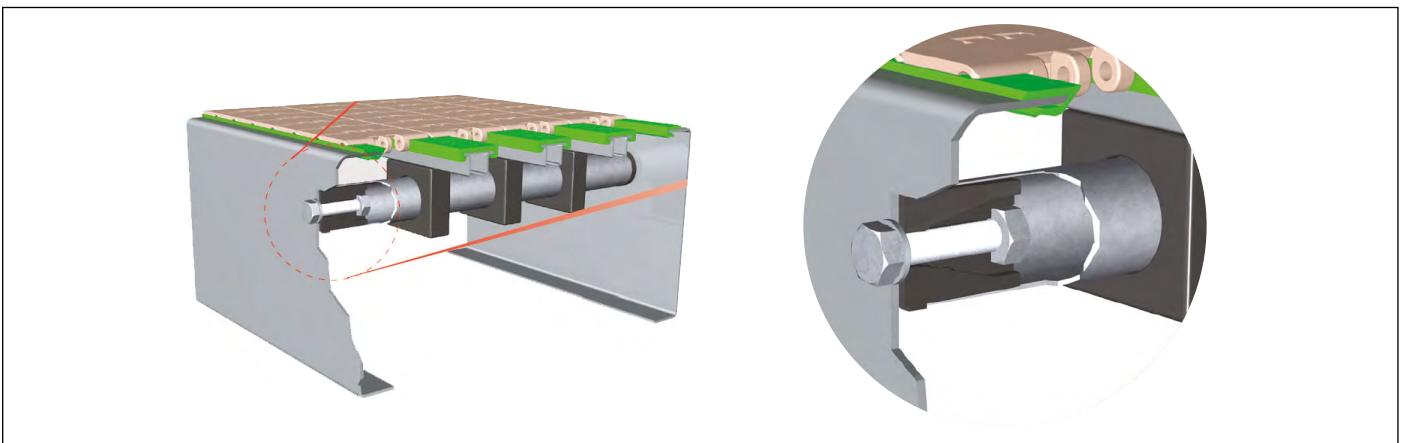
Bracket material	Reinforced polyamide
Bolts and nuts	Stainless steel

Notes

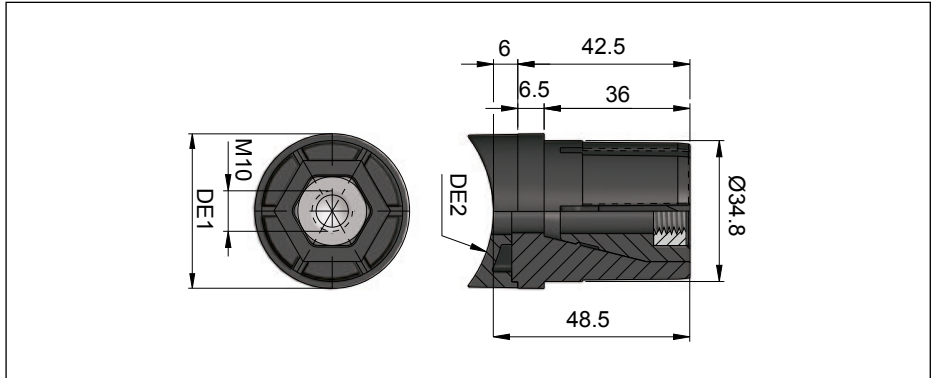
For 38 x 1.5mm round tube

Ref.	Kg.	Box
1486571	0.06	50

Example of application



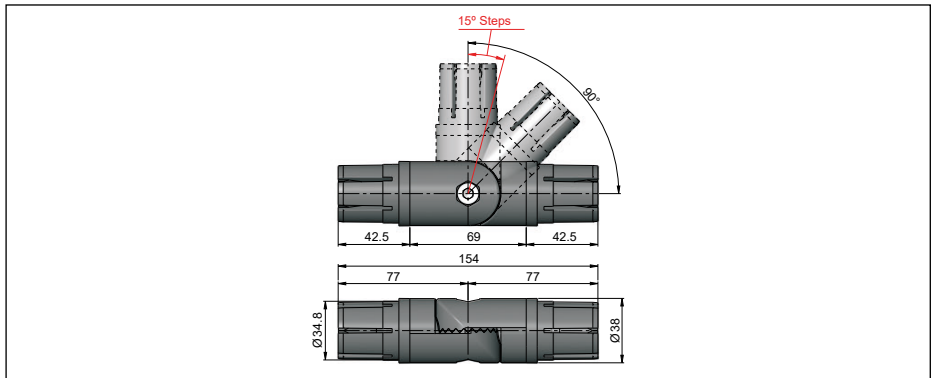
⏪
⏩



Specifications	
Bracket material	Reinforced polyamide
Bush material	Nickel plated brass
Notes	
For 20 x 1.5mm round tube	

Ref.	DE1	DE2	Kg.	Box
1486620	38	38	0.07	25
1486625	38	48	0.08	25
1486636	38	60	0.09	25

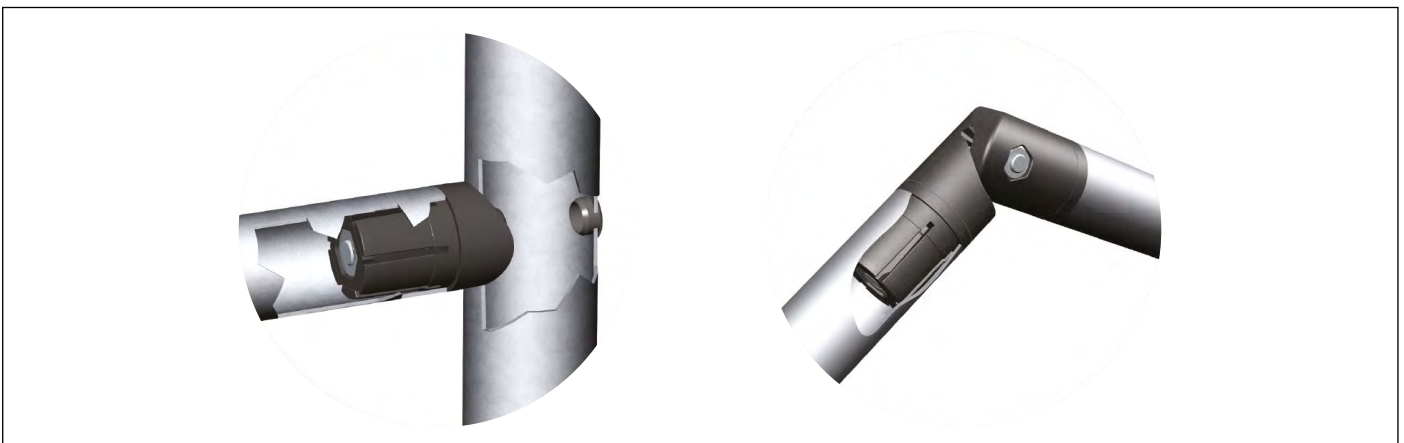
Dimensions in mm

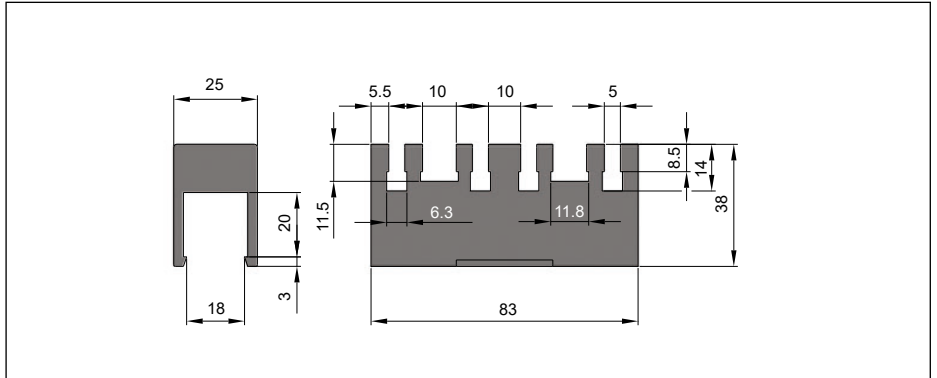
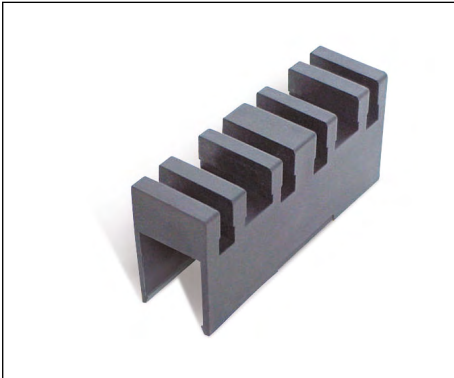


Specifications	
Bracket material	Reinforced polyamide
Bolts and nuts	Stainless steel
Notes	
For 38 x 1.5mm round tube	

Ref.	Kg.	Box
7645301	0.28	25

Example of application

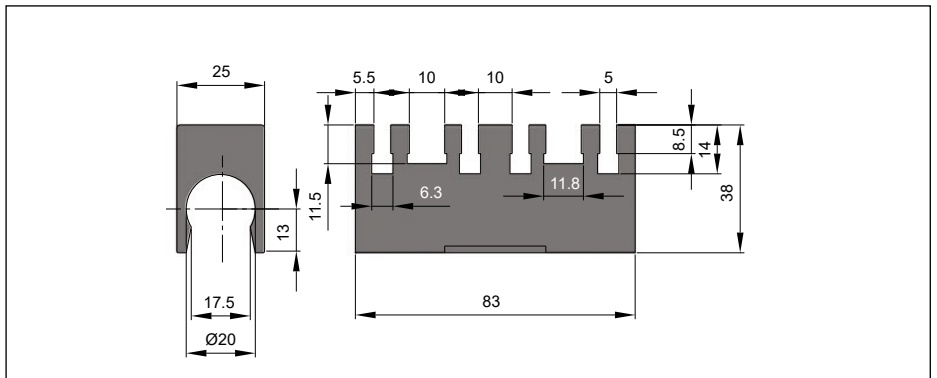
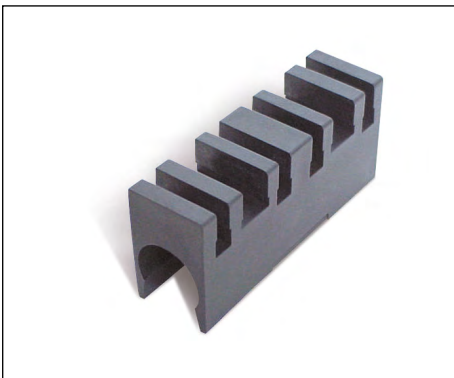




Specifications

Material Self-lubricating polyethylene

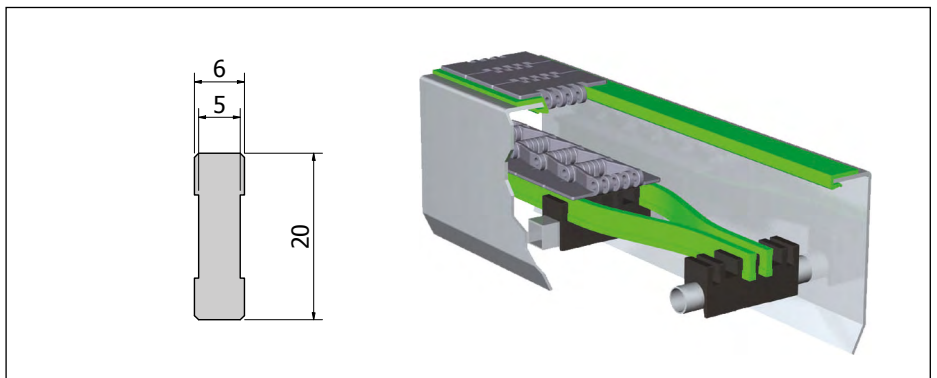
Ref.	Kg.	Box
8025601	0.04	50



Specifications

Material Self-lubricating polyethylene

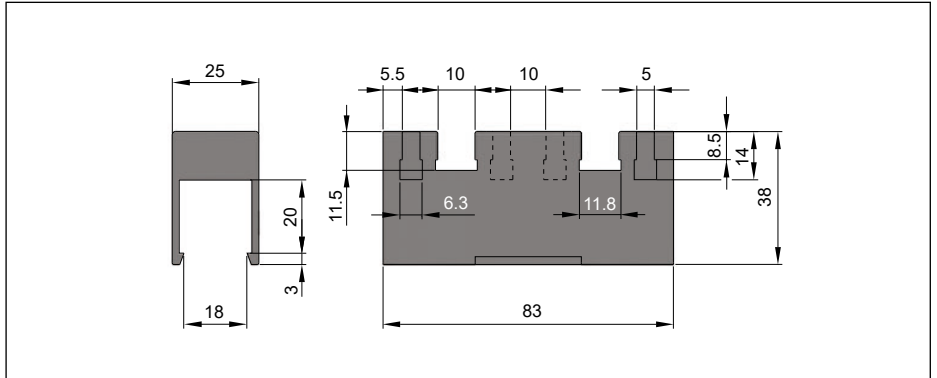
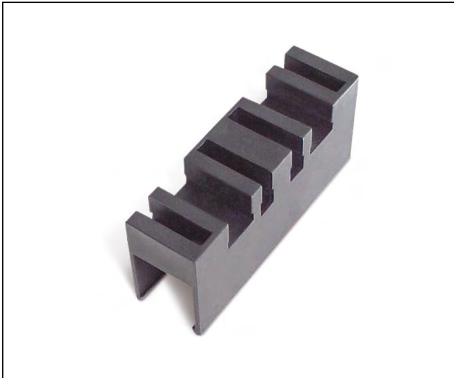
Ref.	Kg.	Box
8025630	0.04	50



Ref.	L	Kg/m	Std.
P#0240	25	0.1	■

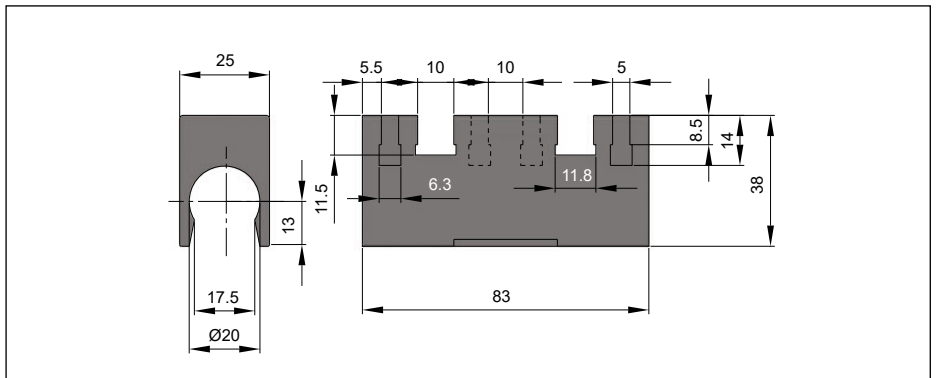
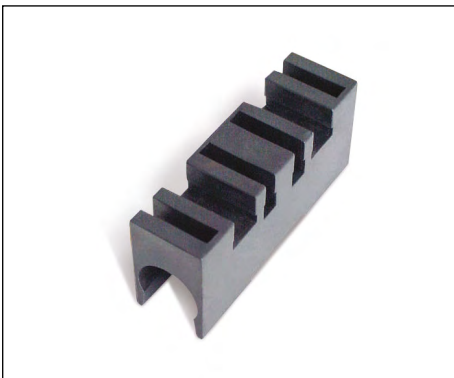
Standard material: UHMW-PE "DESLIDUR"

On demand options: Different colours available | Dimensions in mm | L dimension in meters
 Replace # by colour code to complete the reference number | Colour codes: □ 1 | ■ 2 | ■ 3 | ■ 5 | ■ 6



Specifications	
Material	Self-lubricating polyethylene

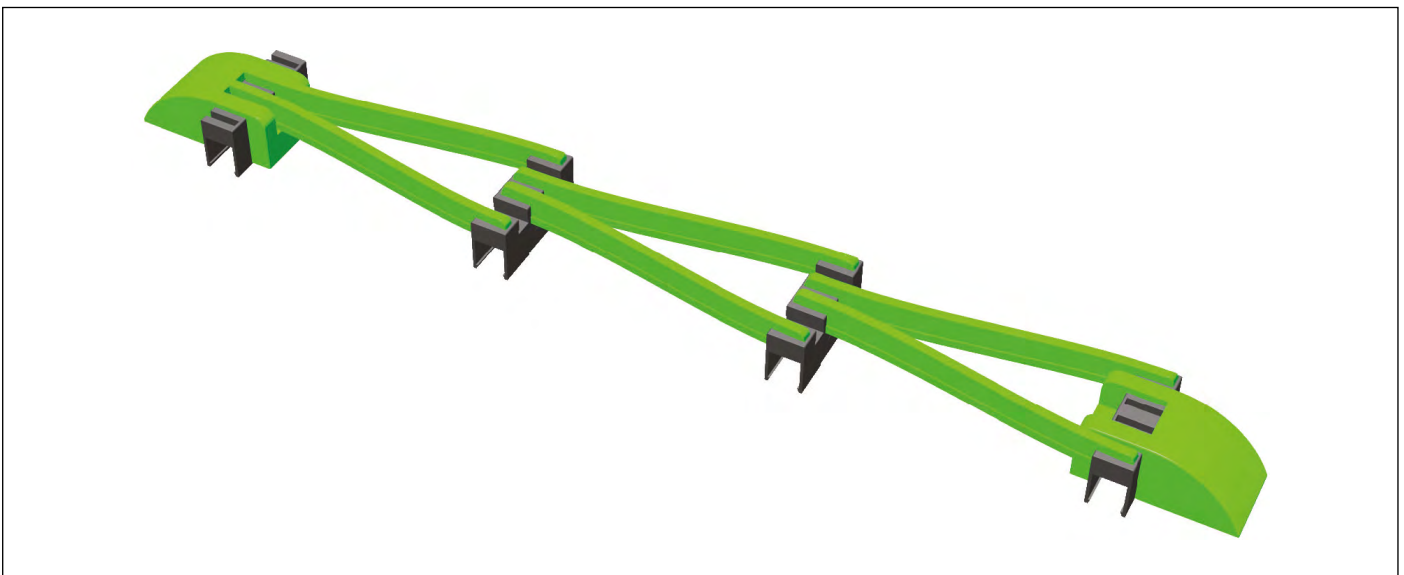
Ref.	Kg.	Box
8025615	0.04	50

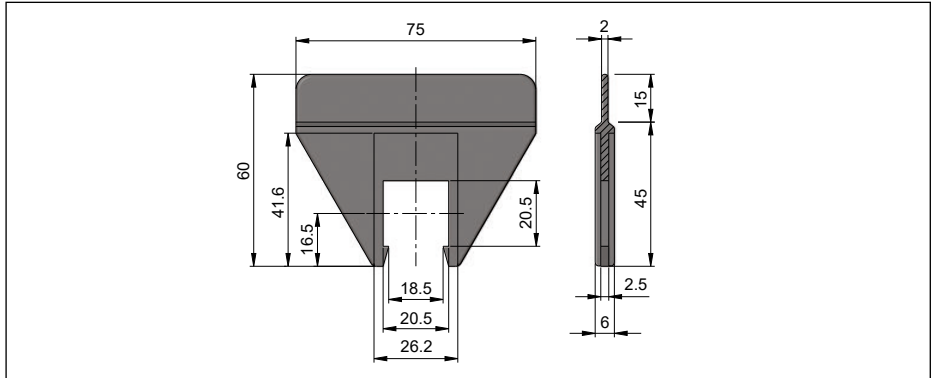


Specifications	
Material	Self-lubricating polyethylene

Ref.	Kg.	Box
8025621	0.04	50

Example of application

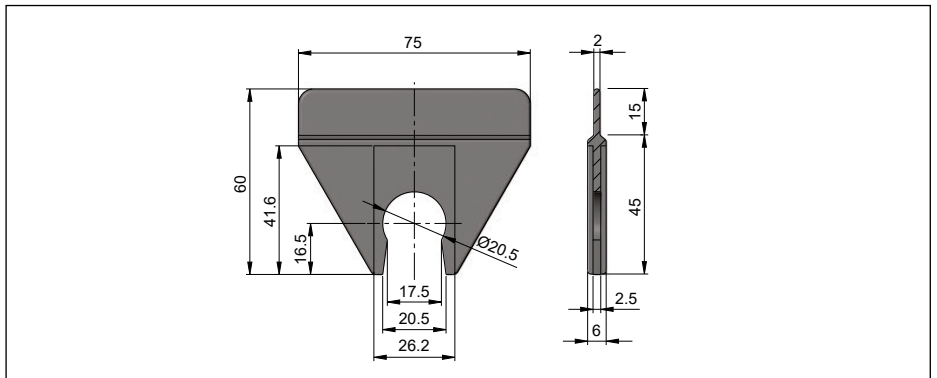




Specifications

Material Self-lubricating polyethylene

Ref.	Kg.	Box
8025645	0.01	100

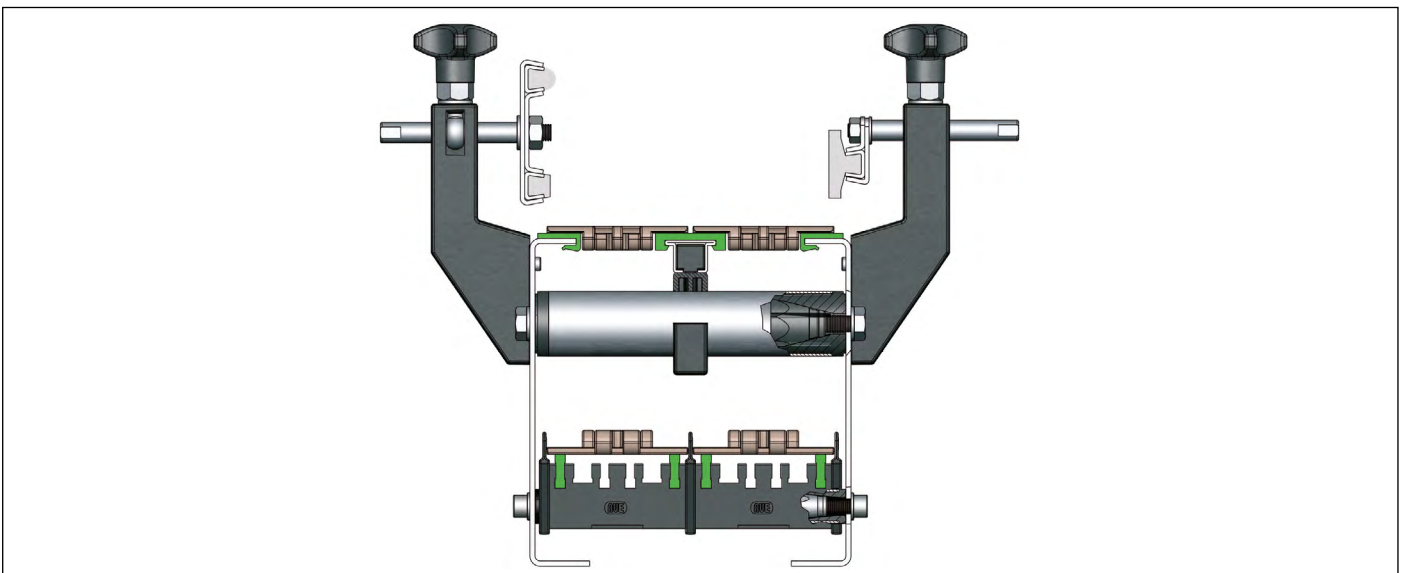


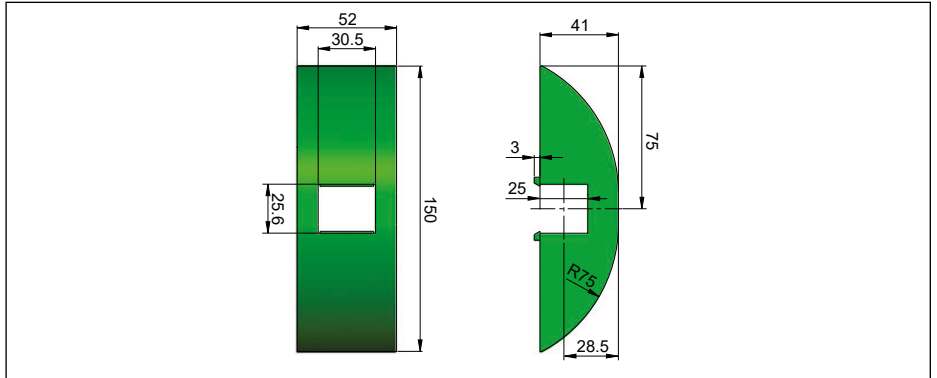
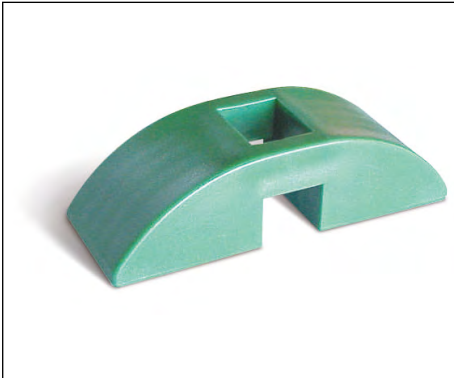
Specifications

Material Self-lubricating polyethylene

Ref.	Kg.	Box
8025650	0.01	100

Example of application

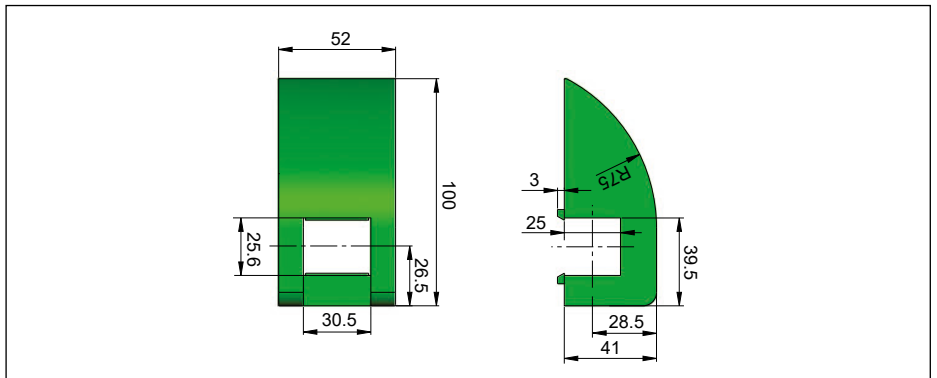




Specifications

Material Self-lubricating polyethylene

Ref.	Kg.	Box
8025104	0.12	10



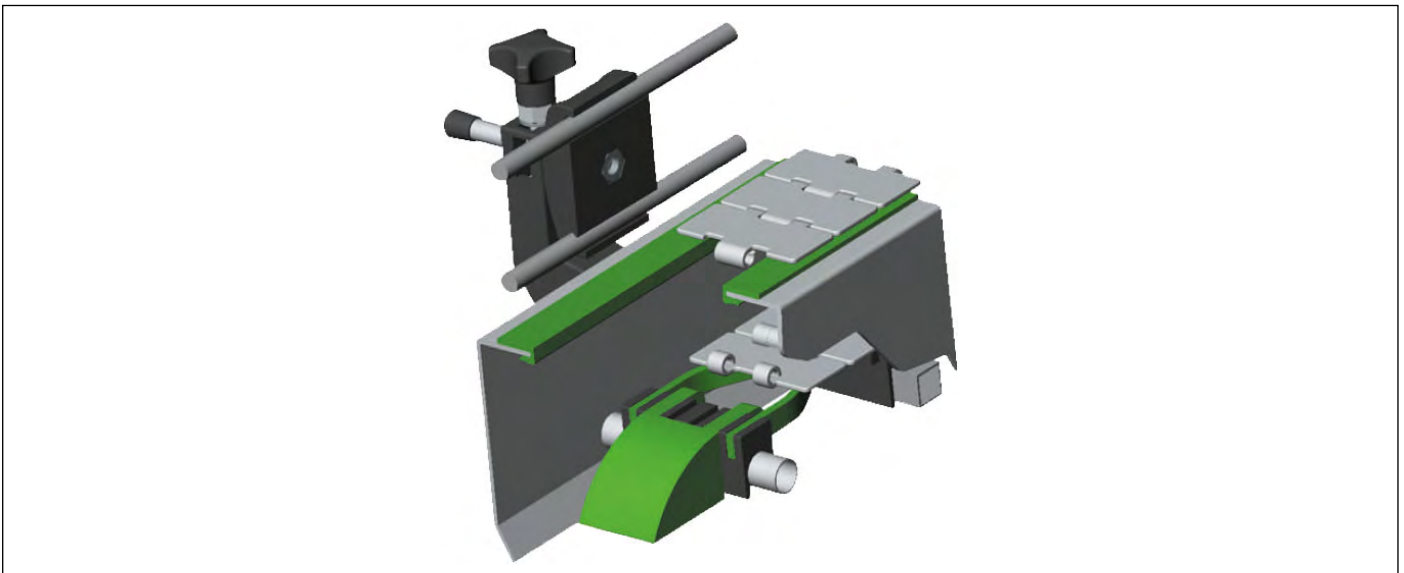
Specifications

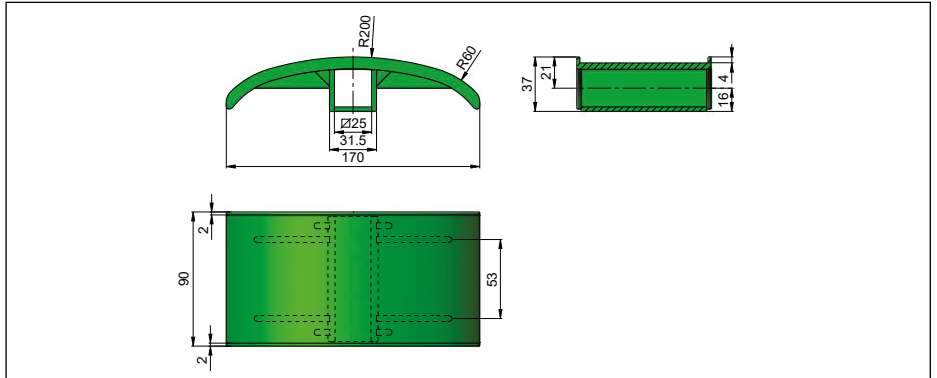
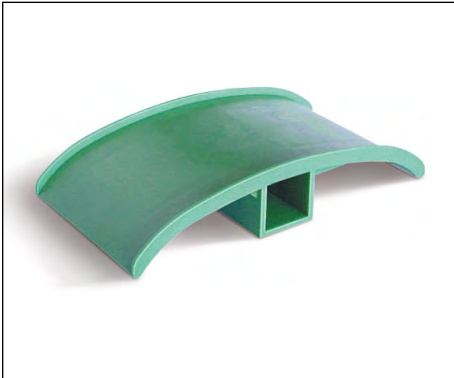
Material Self-lubricating polyethylene

Ref.	Kg.	Box
8025105	0.07	20

Best seller

Example of application

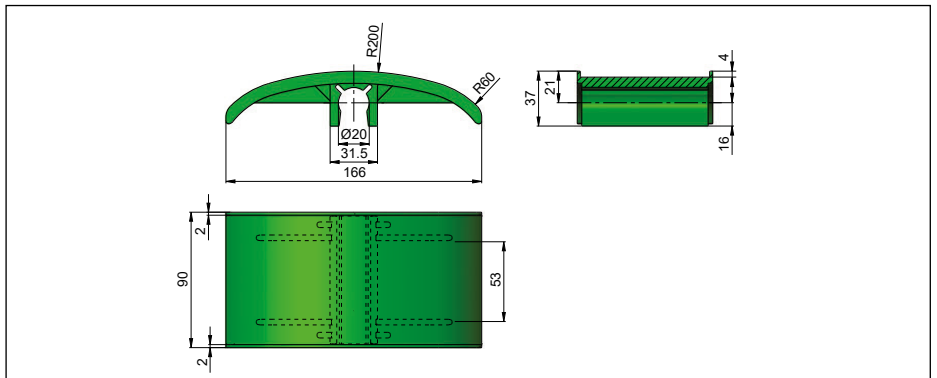




Specifications

Material Self-lubricating polyethylene

Ref.	Kg.	Box
8025101	0.09	10

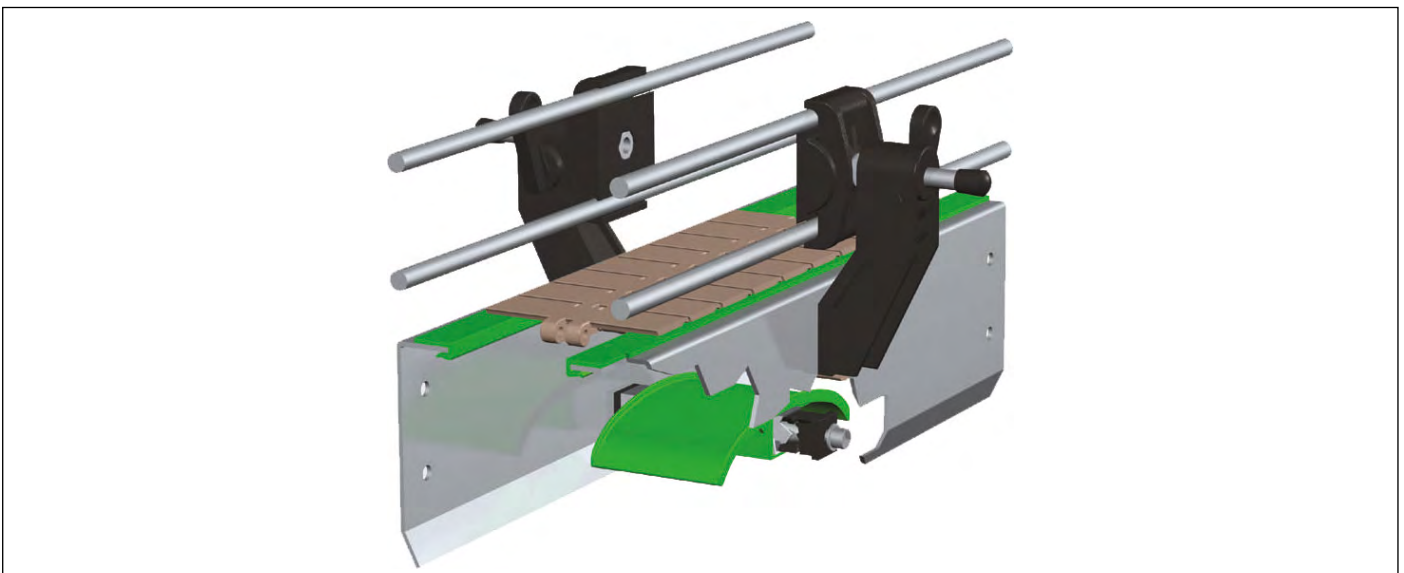


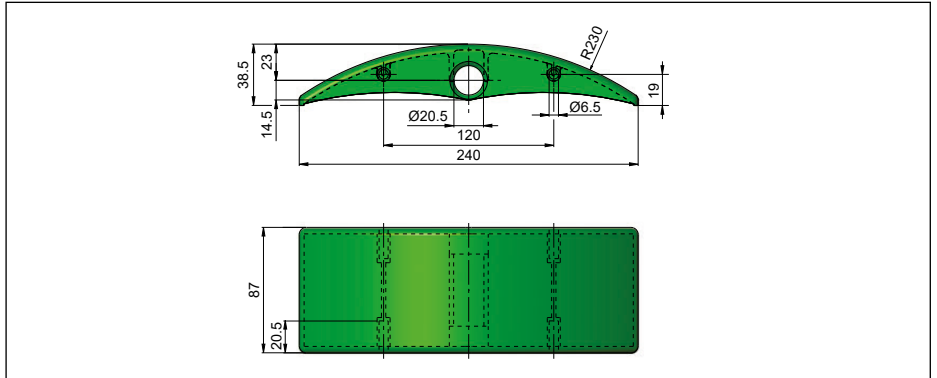
Specifications

Material Self-lubricating polyethylene

Ref.	Kg.	Box
8025140	0.1	10

Example of application

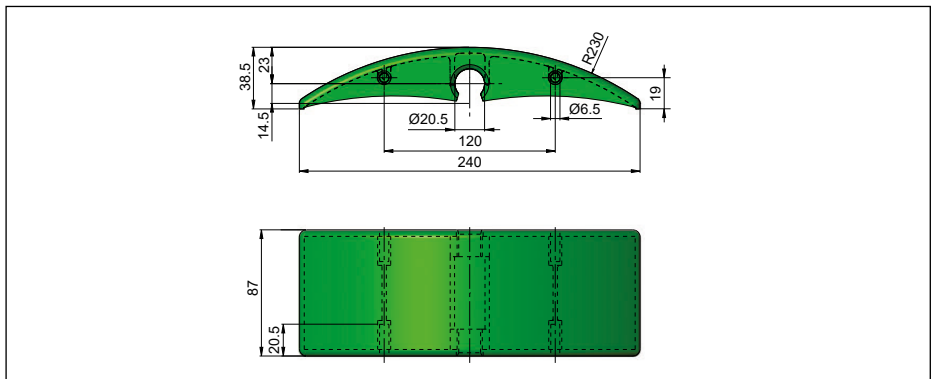




Specifications	
Material	Self-lubricating polyethylene

Ref.	Kg.	Box	Std.s
8025102#	0.14	10	■ ■

On demand options: Different colours available
 Replace # by colour code to complete the reference number | Colour codes: ■ V | ■ N

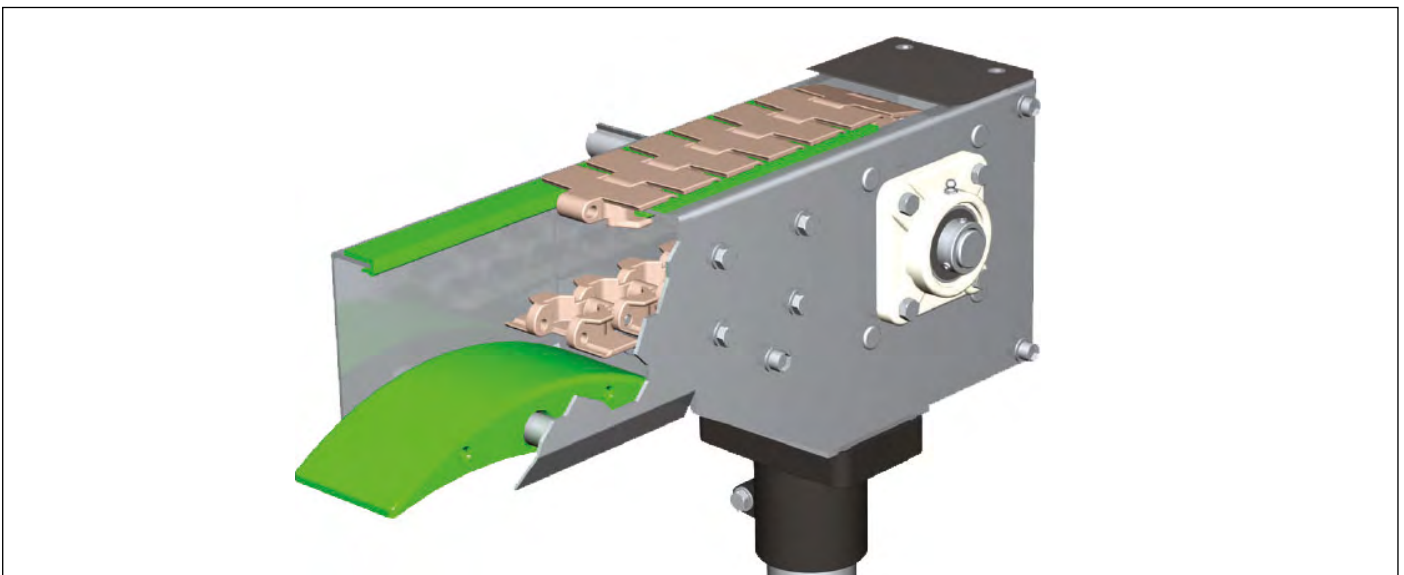


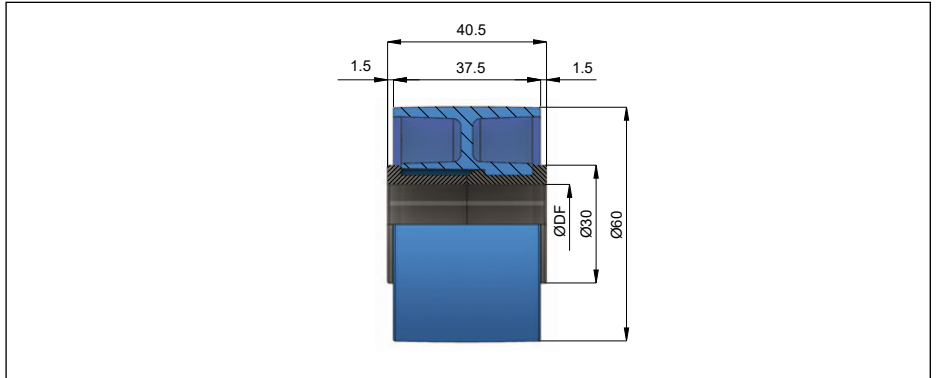
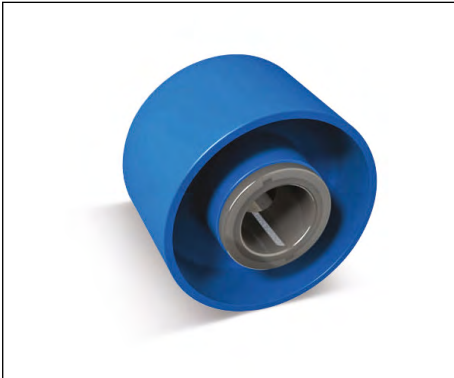
Specifications	
Material	Self-lubricating polyethylene

Ref.	Kg.	Box
8025103	0.13	10

⊕ Best seller

Example of application



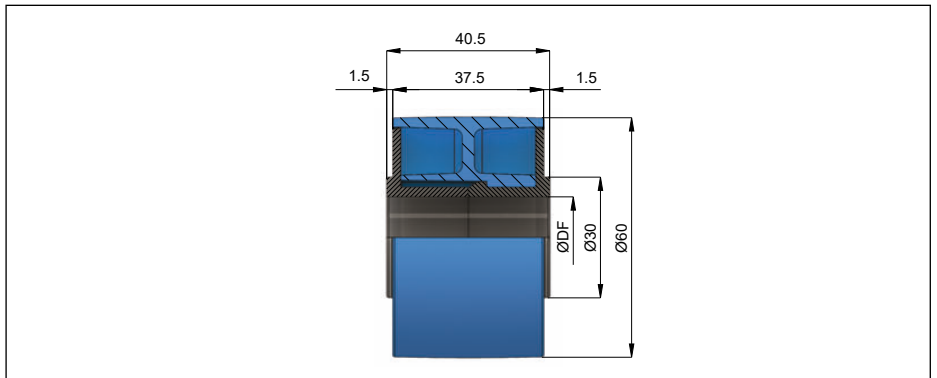
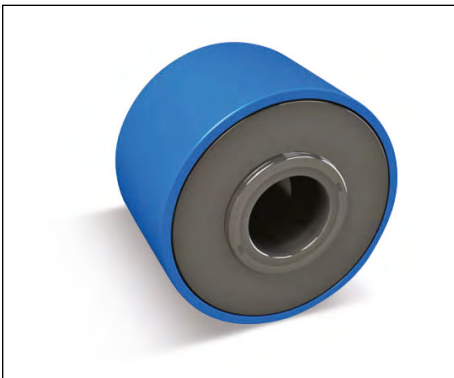


Specifications	
Material	Rubber + POM
Notes	
Noise reduction	
Chain wear reduction	
Energetic consumption reduction	

Ref.	DF	Kg.	Box
8010367	12	0.05	50
8010369	16	0.05	50
8010371	20	0.04	50

Dimensions in mm

COMPONENTS

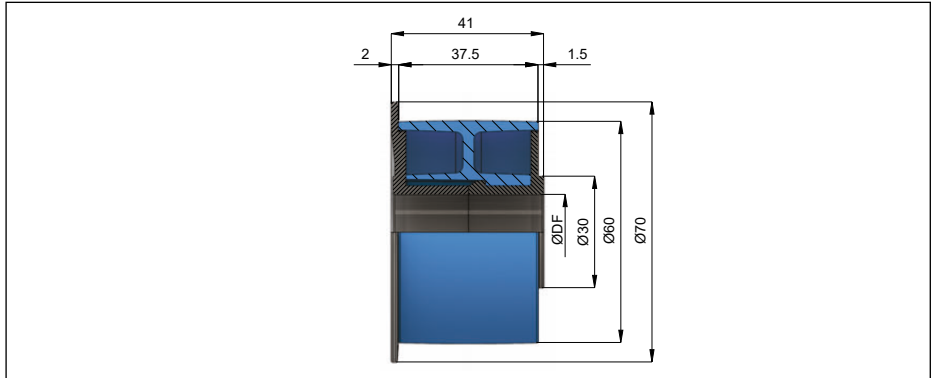
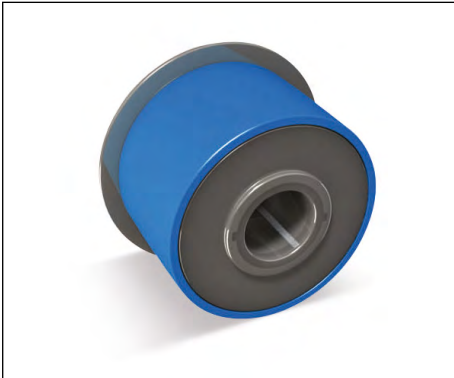


Specifications	
Material	Rubber + POM
Notes	
Noise reduction	
Chain wear reduction	
Energetic consumption reduction	

Ref.	DF	Kg.	Box
8010382	12	0.06	50
8010384	16	0.06	50
8010387	20	0.05	50

Dimensions in mm | Best seller

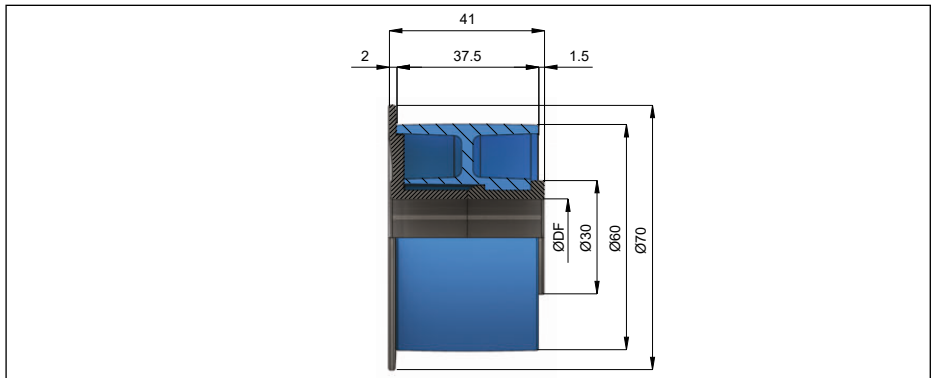
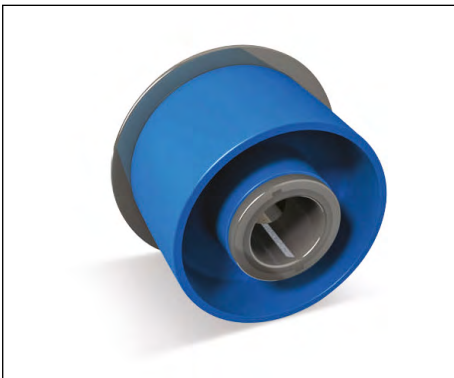




Specifications	
Material	Rubber + POM
Notes	
Noise reduction	
Chain wear reduction	
Energetic consumption reduction	

Ref.	DF	Kg.	Box
8010522	12	0.07	50
8010523	16	0.06	50
8010525	20	0.06	50

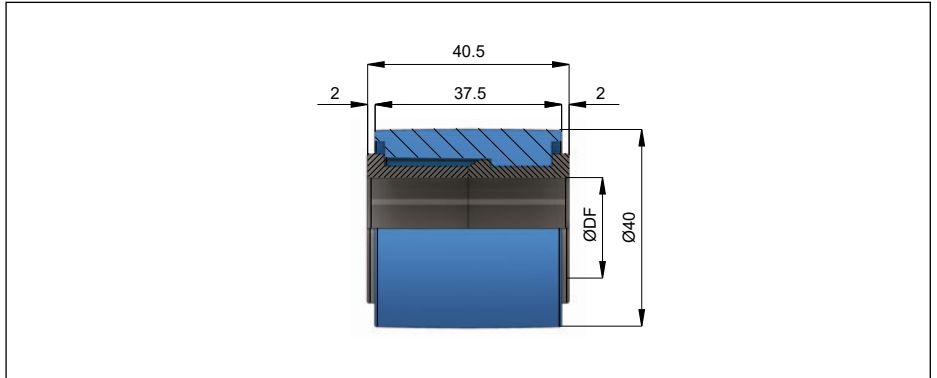
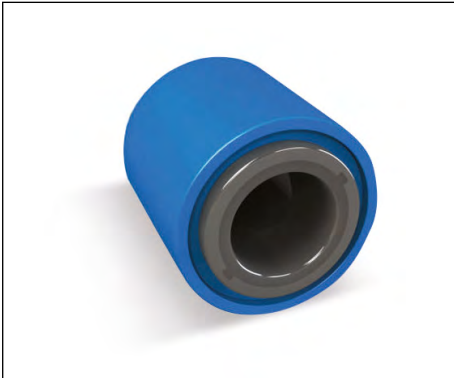
Dimensions in mm | Best seller



Specifications	
Material	Rubber + POM
Notes	
Noise reduction	
Chain wear reduction	
Energetic consumption reduction	

Ref.	DF	Kg.	Box
8010512	12	0.06	50
8010514	16	0.06	50
8010516	20	0.05	50

Dimensions in mm

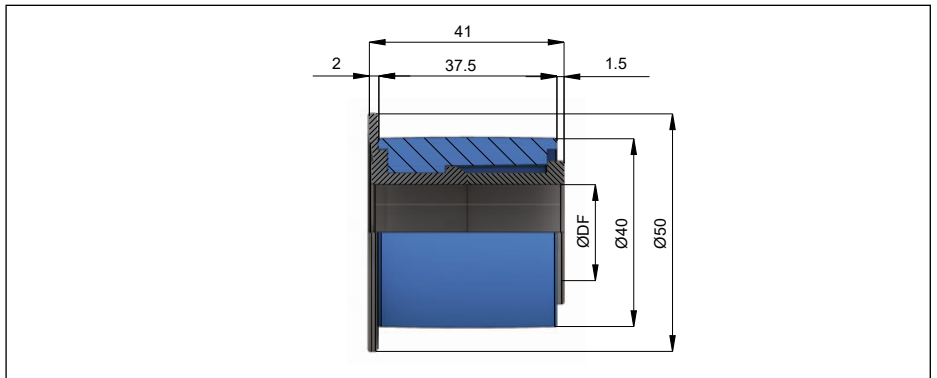
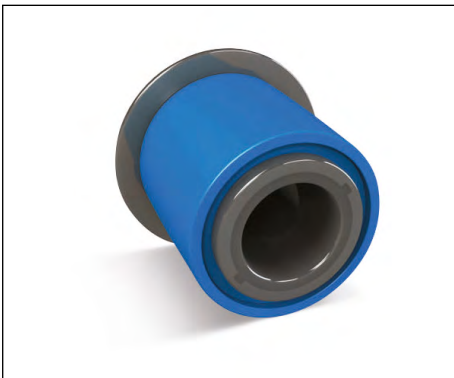


Specifications	
Material	Rubber + POM
Notes	
Noise reduction	
Chain wear reduction	
Energetic consumption reduction	

Ref.	DF	Kg.	Box
8010360	12	0.05	100
8010362	16	0.04	100
8010365	20	0.03	100

Dimensions in mm | Best seller

COMPONENTS

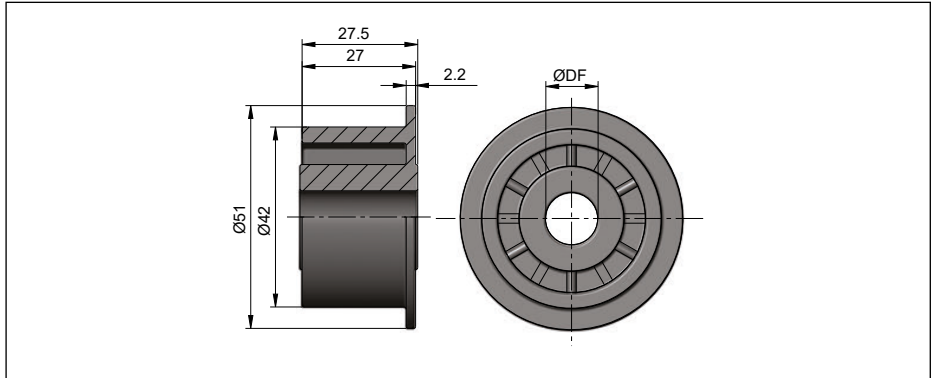


Specifications	
Material	Rubber + POM
Notes	
Noise reduction	
Chain wear reduction	
Energetic consumption reduction	

Ref.	DF	Kg.	Box
8010505	12	0.05	50
8010507	16	0.04	50
8010509	20	0.03	50

Dimensions in mm | Best seller



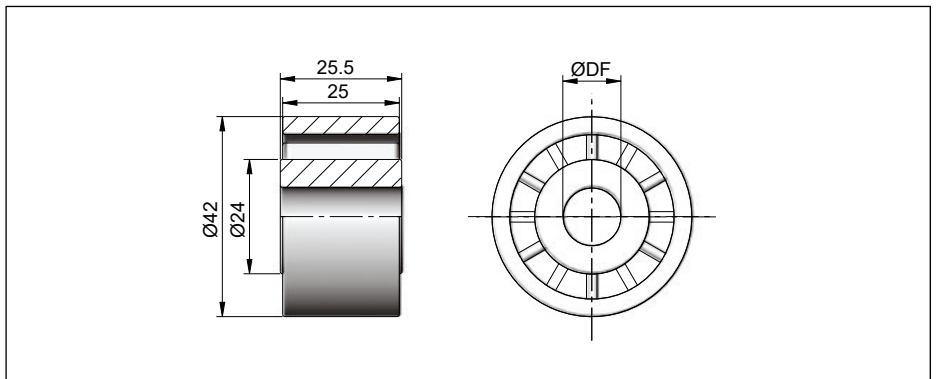


Specifications

Material Self-lubricating polyethylene

Best seller

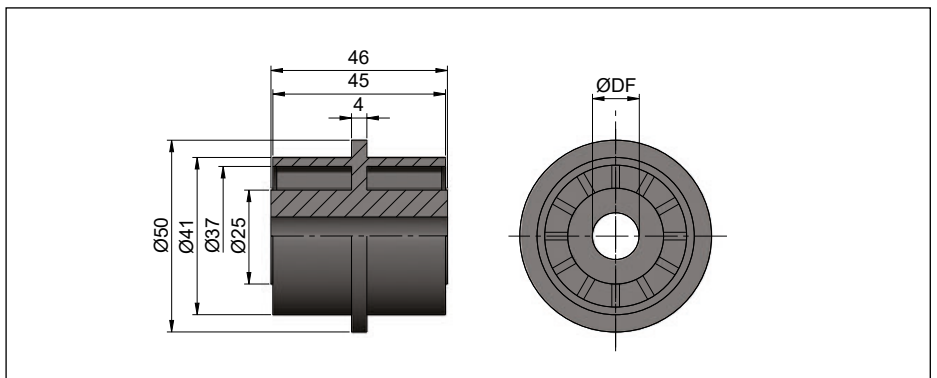
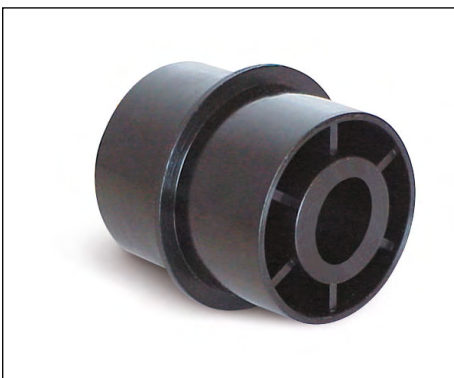
Ref.	DF	Kg.	Box
8010024	12.2	0.03	100
8010026	16.2	0.03	100
8010027	18.2	0.03	100
8010028	20.2	0.03	100



Specifications

Material Self-lubricating polyethylene

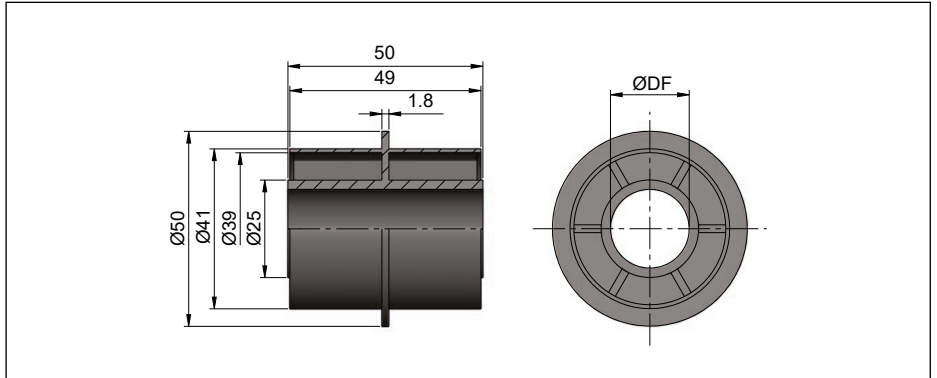
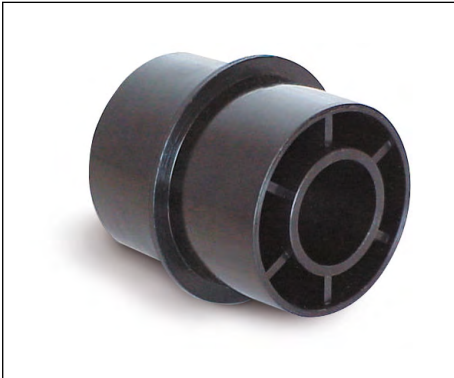
Ref.	DF	Kg.	Box
8010235	12.2	0.03	100
8010237	16.2	0.03	100
8010238	18.2	0.03	100
8010239	20.2	0.03	100



Specifications

Material Self-lubricating polyethylene

Ref.	DF	Kg.	Box
8010201	12.2	0.03	75
8010202	16.2	0.03	75
8010203	18.2	0.03	75
8010204	20.2	0.03	75

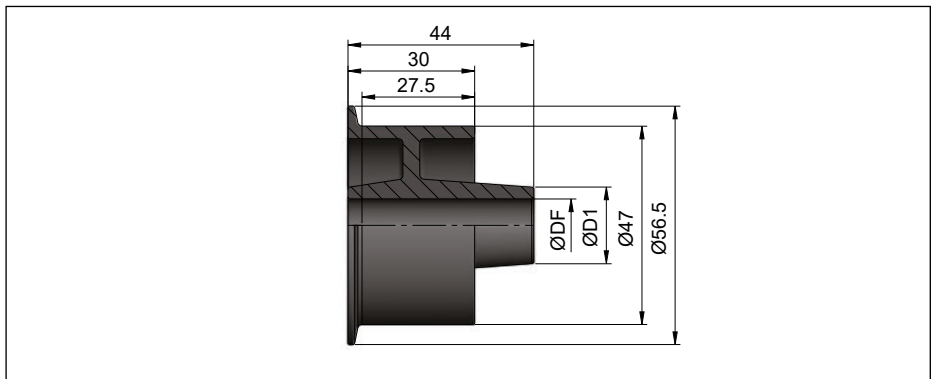


Specifications

Material Self-lubricating polyethylene

Dimensions in mm

Ref.	DF	Kg.	Box
8010211	12.2	0.03	75
8010212	16.2	0.03	75
8010214	18.2	0.03	75
8010215	20.2	0.03	75

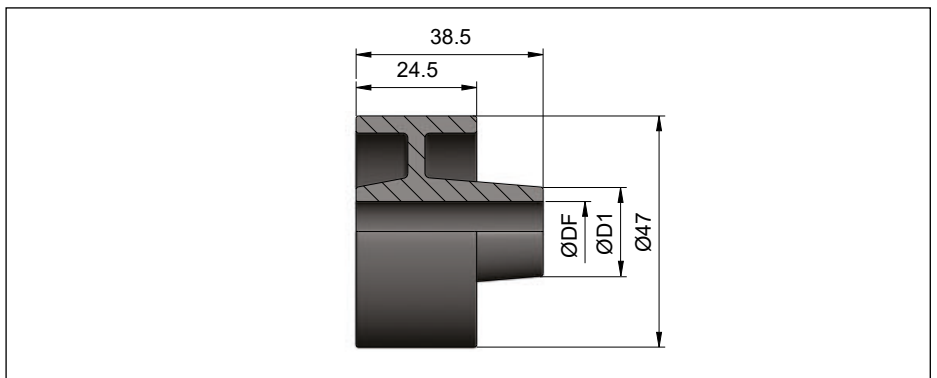


Specifications

Material Self-lubricating polyethylene

Dimensions in mm

Ref.	D1	DF.	Kg.	Box
8010230	18	12.2	0.05	100
8010241	24.2	20.2	0.05	100



Specifications

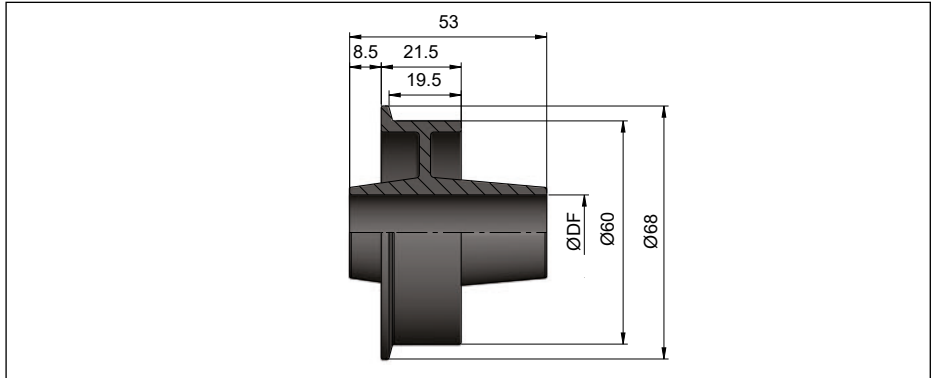
Material Self-lubricating polyethylene

Dimensions in mm

Ref.	D1	DF.	Kg.	Box
8010234	18	12.2	0.05	100
8010231	24.2	20.2	0.05	100

COMPONENTS

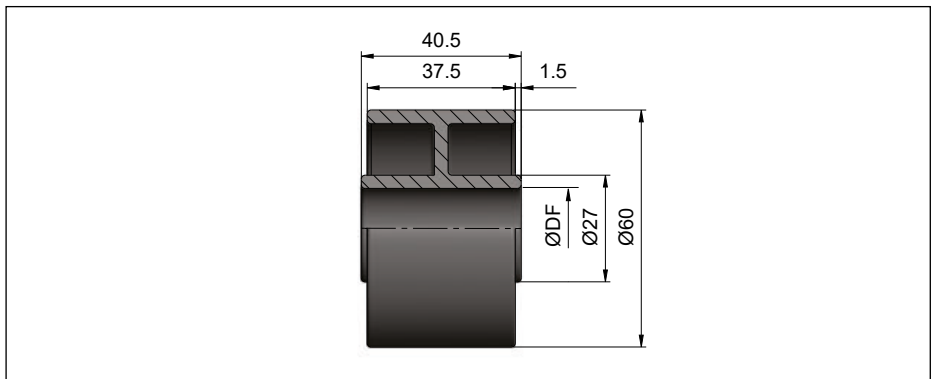
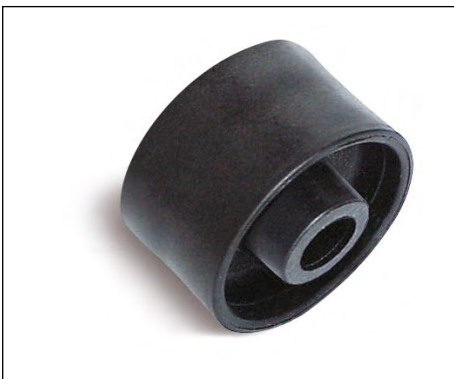




Specifications	
Material	Self-lubricating polyethylene

Ref.	DF	Kg.	Box
8010232	20.2	0.06	50

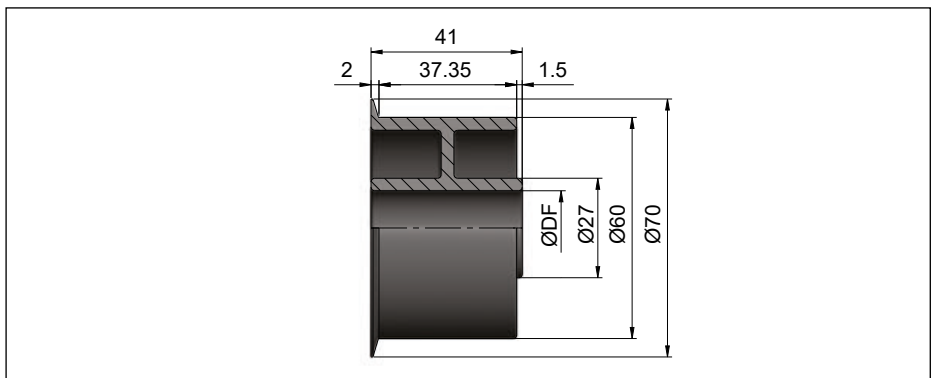
Dimensions in mm



Specifications	
Material	Self-lubricating polyethylene

Ref.	DF	Kg.	Box
8010233	20.2	0.06	50

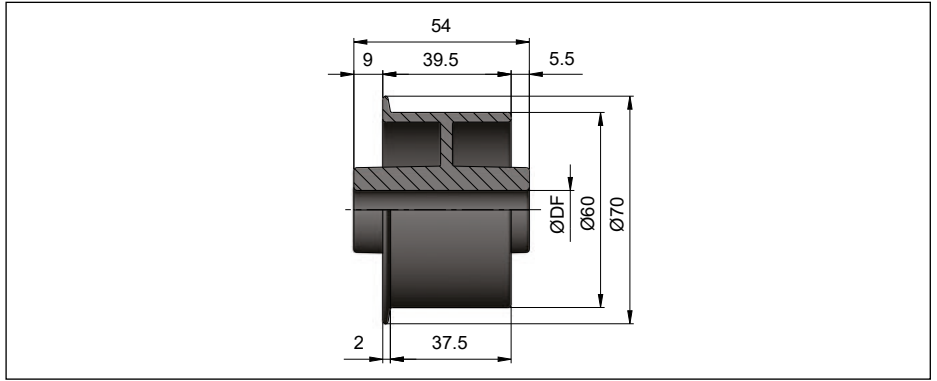
Dimensions in mm



Specifications	
Material	Self-lubricating polyethylene

Ref.	DF	Kg.	Box
8010236	20.2	0.06	50

Dimensions in mm | Best seller

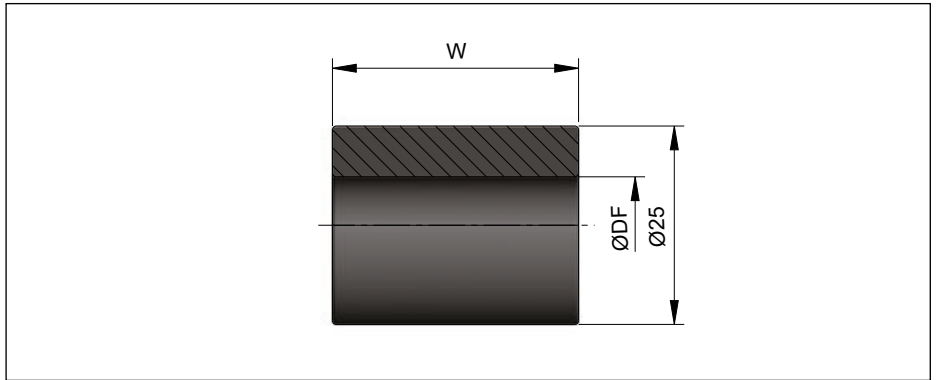
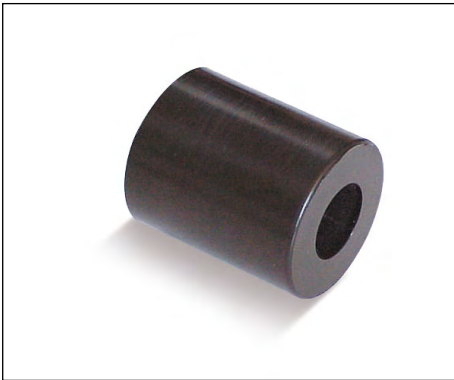


Specifications

Material Self-lubricating polyethylene

Ref.	DF	Kg.	Box
8010271	12.2	0.07	40

Dimensions in mm

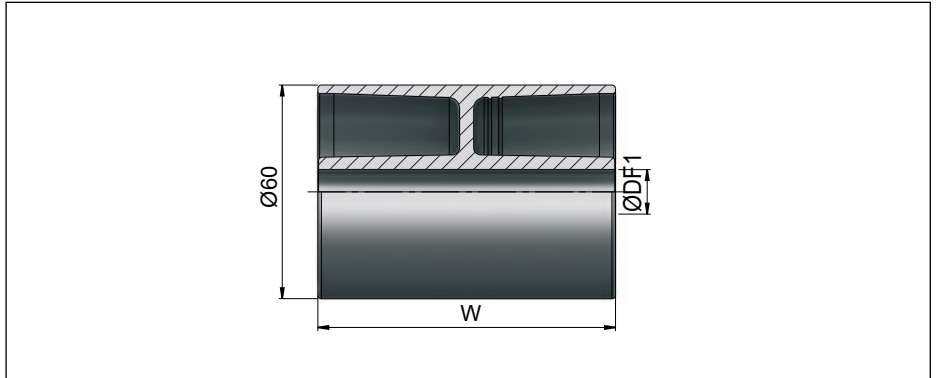


Specifications

Material Self-lubricating polyethylene

Ref.	DF	W	Kg.	Box
8010114	12.2	31	0.01	150
8010115	16.2	31	0.01	150
8010116	18.2	31	0.01	150
8010117	20.2	31	0.01	150
8010120	12.2	34	0.01	150
8010121	16.2	34	0.01	150
8010122	18.2	34	0.01	150
8010123	20.2	34	0.01	150
8010106	12.2	39	0.01	150
8010107	16.2	39	0.01	150
8010108	18.2	39	0.01	150
8010109	20.2	39	0.01	150

Dimensions in mm

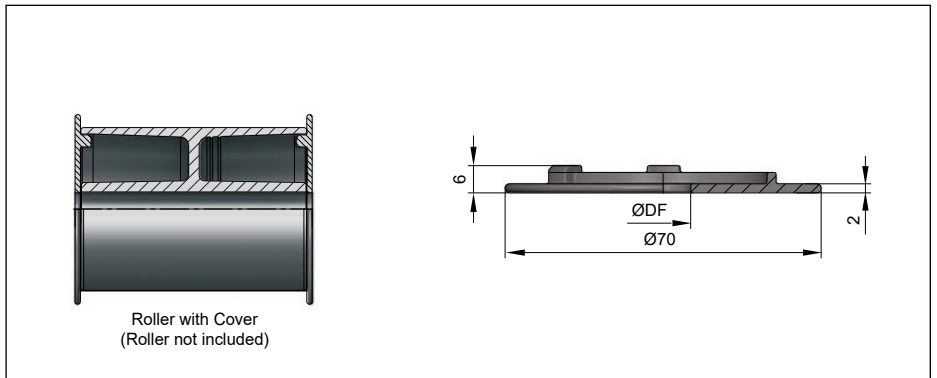


Specifications

Material Self-lubricating polyethylene

Ref.	DF	W	Kg.	Box
8010221NV	12.2	84	0.8	25
8010220NV	14.2	84	0.8	25
8010222NV	16.2	84	0.8	25
8010223NV	18.2	84	0.8	25
8010224NV	20.2	84	0.8	25

Dimensions in mm

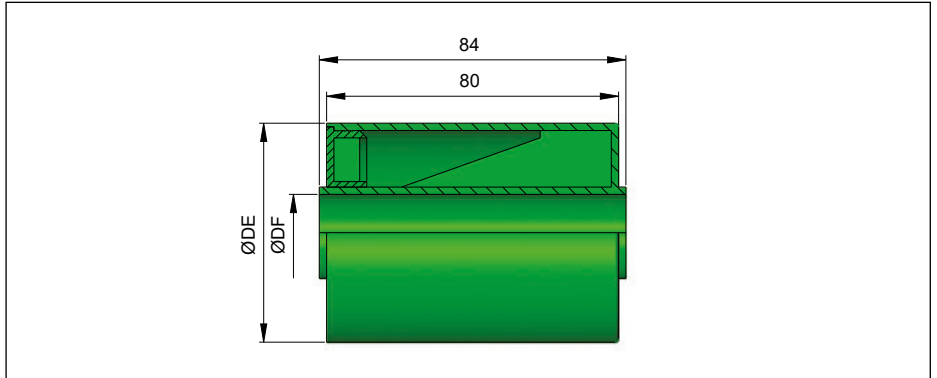


Specifications

Material Self-lubricating polyethylene

Ref.	DF	Kg.	Box
8015225	12.2	0.01	200
8015226	16.2	0.01	200
8015227	18.2	0.01	200
8015228	20.2	0.01	200

Dimensions in mm

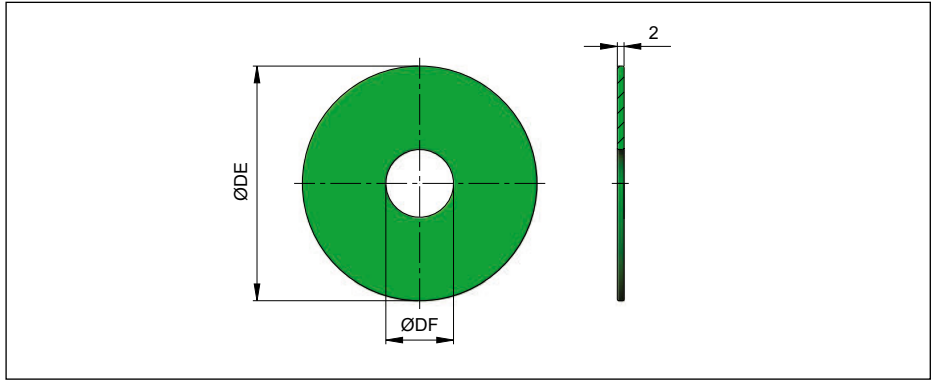
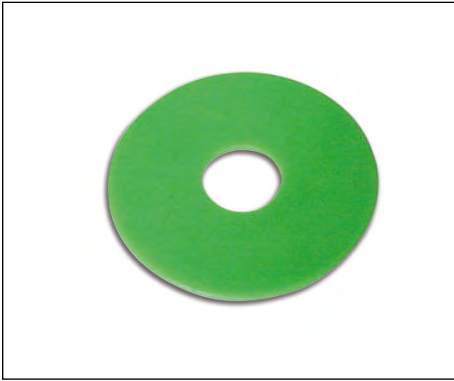


Specifications		Ref.	DE	DF	Kg.	Box
Material	Self-lubricating polyethylene	★ 8010315	40	20.2	0.04	25
		★ 8010340	60	20.2	0.06	25

Dimensions in mm | ★ Best seller

Example of application

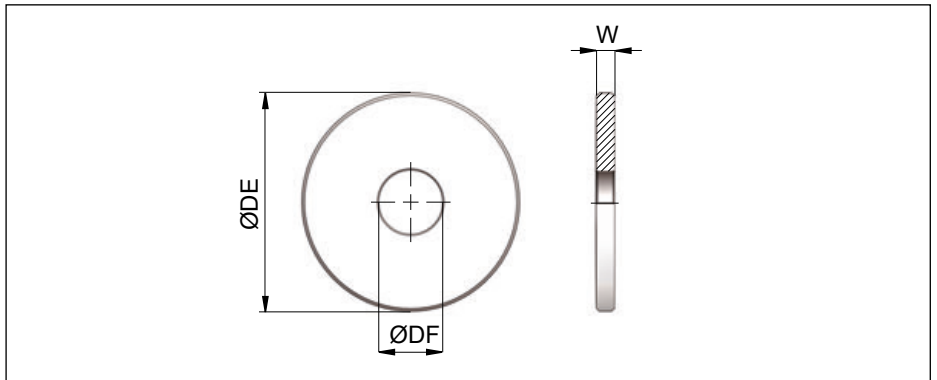




Specifications	
Material	Self-lubricating polyethylene

Ref.	DE	DF	Kg.	Box
★ 8015240	50	20.2	0.01	200
8015245	60	20.2	0.01	200
★ 8015250	70	20.2	0.01	200

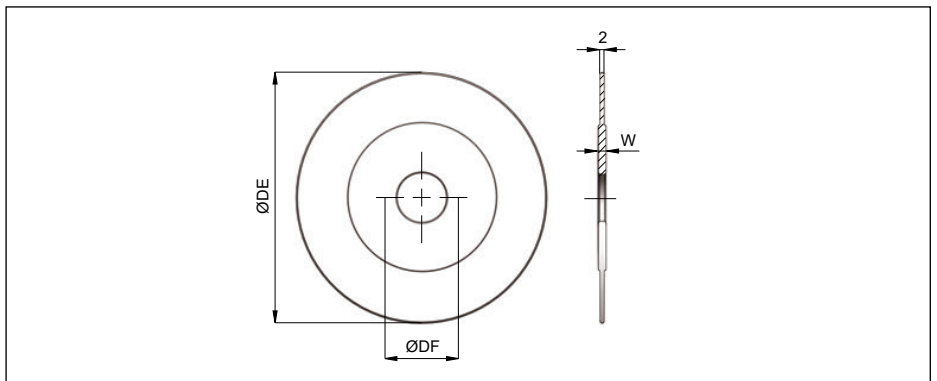
Dimensions in mm | ★ Best seller



Specifications	
Material	Self-lubricating polyethylene

Ref.	DE	DF	W	Kg.	Box
8015260	70	20.5	6	0.02	100

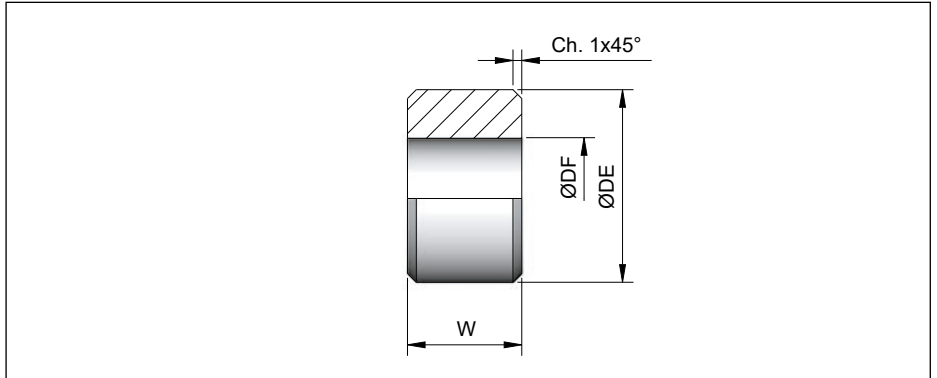
Dimensions in mm



Specifications	
Material	Self-lubricating polyethylene

Ref.	DE	DF	W	Kg.	Box
8015268	100	20.5	3	0.01	100

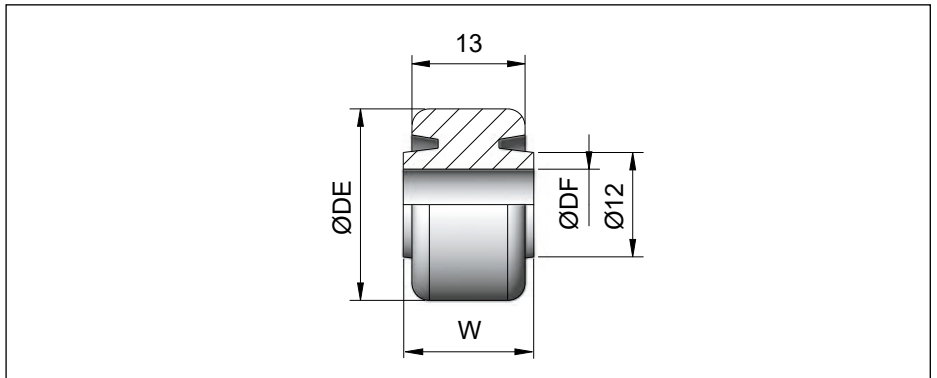
Dimensions in mm



Specifications	
Material	Self-lubricating polyethylene

Ref.	DE	DF	W	Kg.	Box
8010022	22	11.1	13	0.01	500
8010023	30	11.1	13	0.01	500

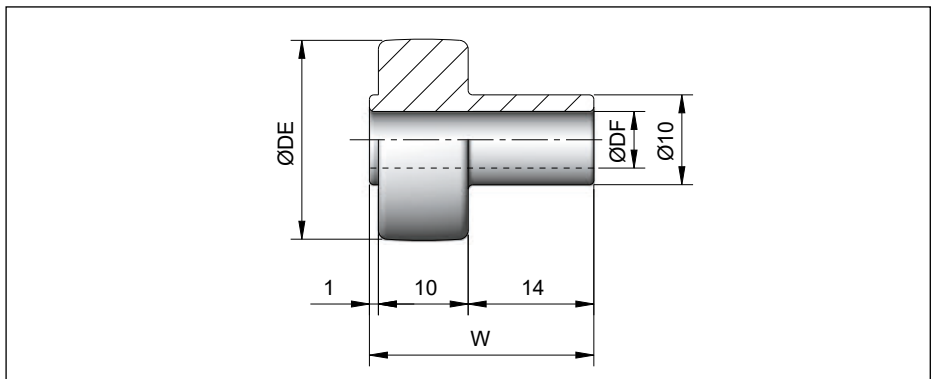
Dimensions in mm



Specifications	
Material	Self-lubricating polyethylene

Ref.	DE	DF	W	Kg.	Box
8010055	22	8.2	15	0.01	200
8010032	22	6.5	17	0.01	200
8010057	30	8.2	15	0.01	200

Dimensions in mm

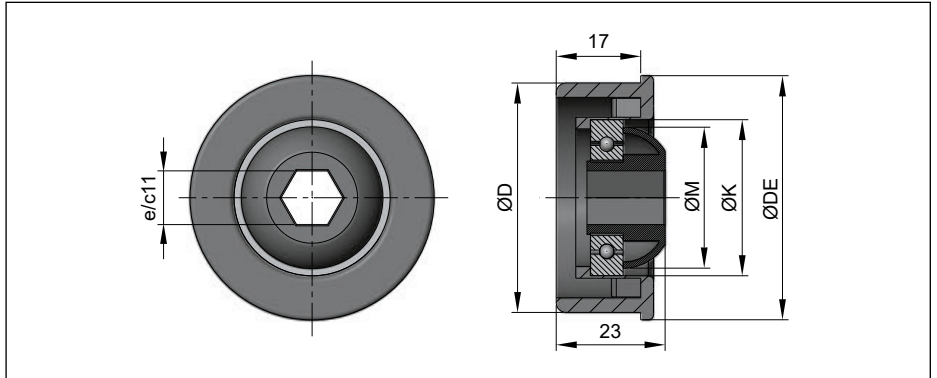


Specifications	
Material	Self-lubricating polyethylene

Ref.	DE	DF	W	Kg.	Box
8010035	22	6.3	25	0.01	500

Dimensions in mm

COMPONENTS



Specifications

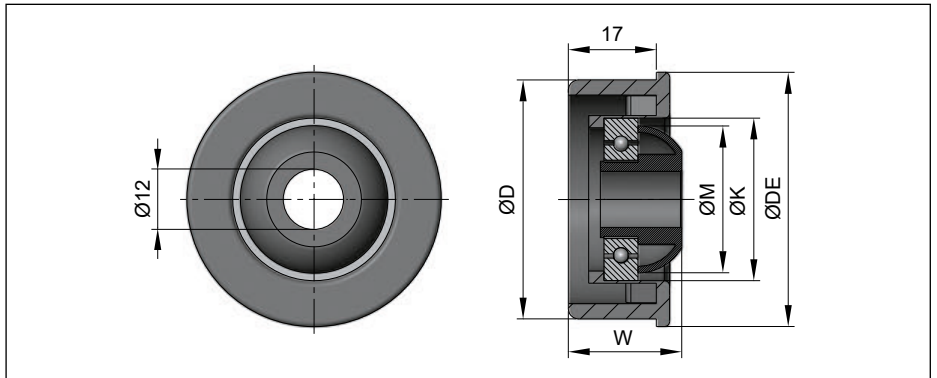
Material Reinforced polyamide

Notes

Bearing not included

Ref.	Bearing	DE	K	M	D	Kg	Box
8010401	6002	50	32	29	47	0.02	50

Dimensions in mm



Specifications

Material Self-lubricating polyethylene

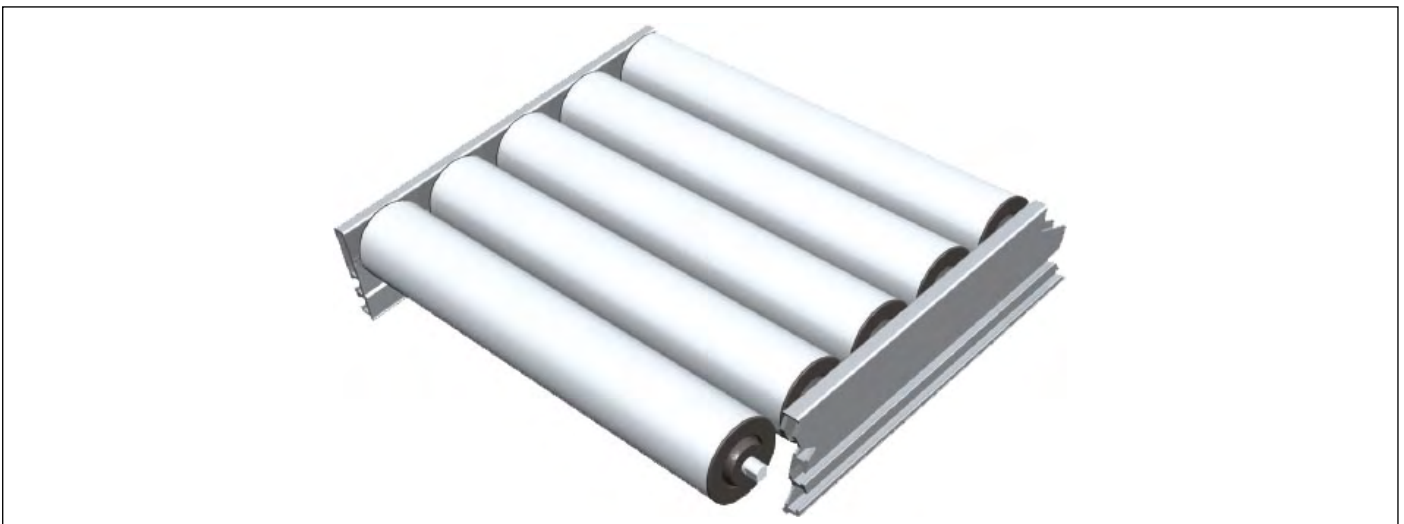
Notes

Bearing not included

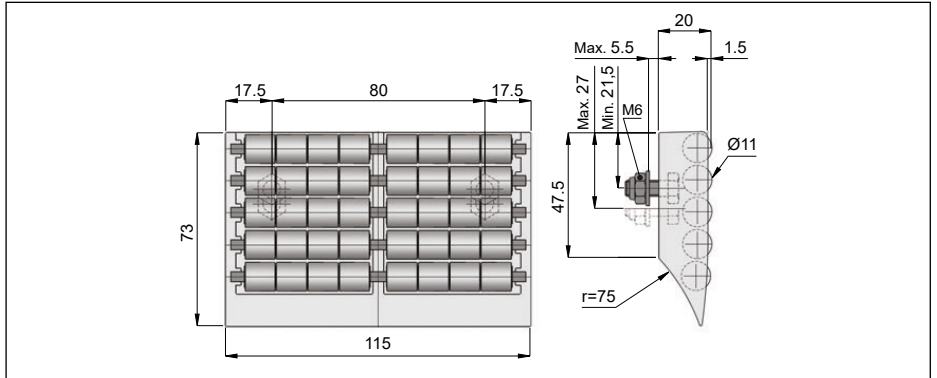
Ref.	Bearing	W	DE	K	M	D	Kg	Box
8010416	6002	23	50	32	29	47	0.02	50
8010420	6202	23	60	35	32	57	0.03	50
8010429	6302	25.5	70	42	39	67	0.04	50

Dimensions in mm

Example of application



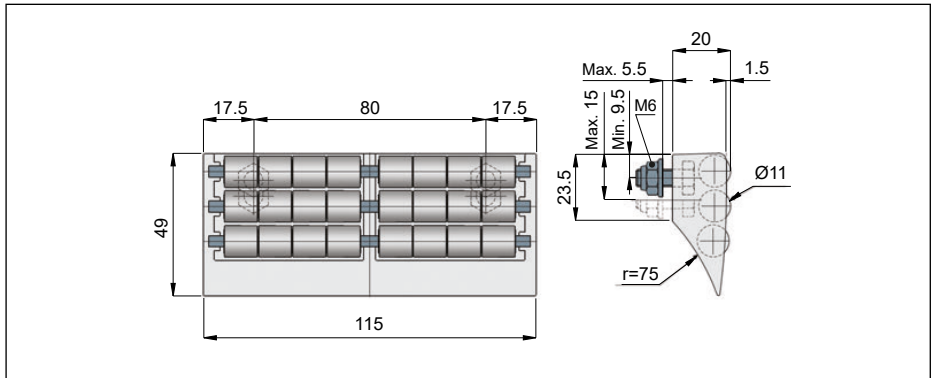
Transfer modules



Specifications	
Material	Self-lubricating POM
Bolts and nuts	Stainless steel
Notes	
Safe transfer	Easy to clean

Ref.	Kg.	Box
★ 8426045	0.2	50

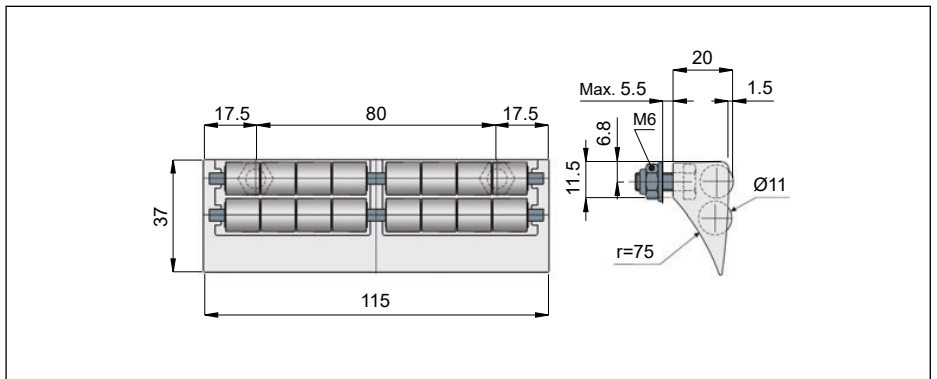
★ Best seller



Specifications	
Material	Self-lubricating POM
Bolts and nuts	Stainless steel
Notes	
Safe transfer	Easy to clean

Ref.	Kg.	Box
★ 8426043	0.13	50

★ Best seller



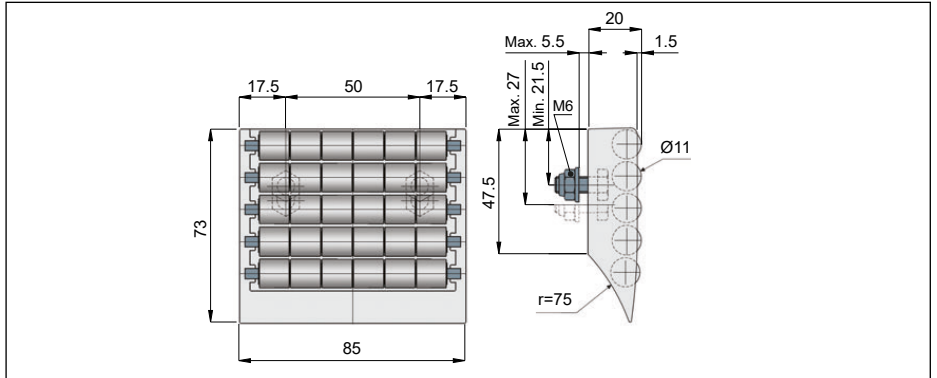
Specifications	
Material	Self-lubricating POM
Bolts and nuts	Stainless steel
Notes	
Safe transfer	Easy to clean

Ref.	Kg.	Box
★ 8426042	0.09	50

★ Best seller

COMPONENTS

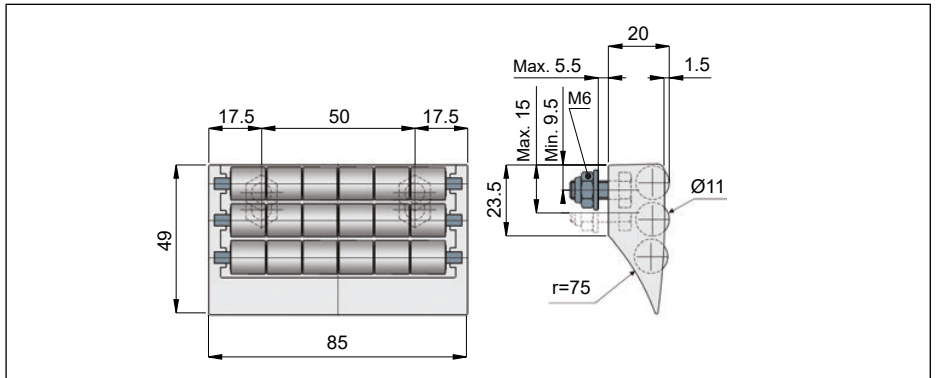




Specifications	
Material	Self-lubricating POM
Bolts and nuts	Stainless steel
Notes	
Safe transfer	Easy to clean

Ref.	Kg.	Box
8426035	0.15	50

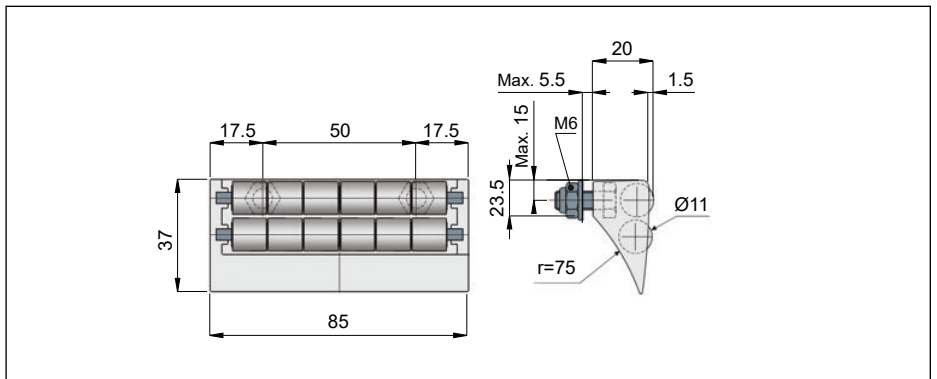
Best seller



Specifications	
Material	Self-lubricating POM
Bolts and nuts	Stainless steel
Notes	
Safe transfer	Easy to clean

Ref.	Kg.	Box
8426033	0.1	50

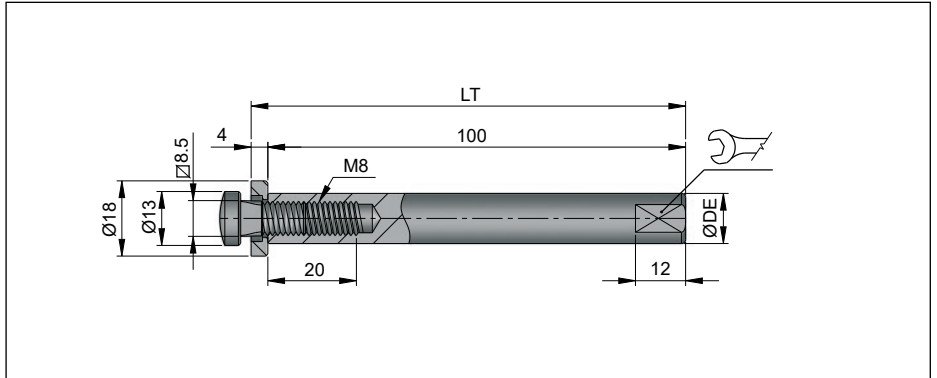
Best seller



Specifications	
Material	Self-lubricating POM
Bolts and nuts	Stainless steel
Notes	
Safe transfer	Easy to clean

Ref.	Kg.	Box
8426032	0.07	50

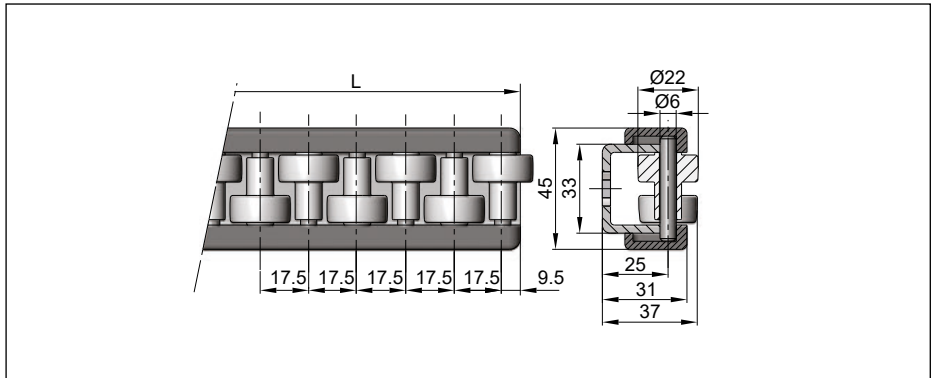
Best seller



Specifications	
Material	Stainless steel
Notes	
1 pc = 1 spindle + 1 screw + 1 washer	

Ref.	DE	Bolt size	LT	Kg.	Box
8220801	12	10	104	0.11	50
8220805	14	12	104	0.14	75
8220811	15	12	104	0.16	50
8220819	16	14	104	0.18	50

Dimensions in mm

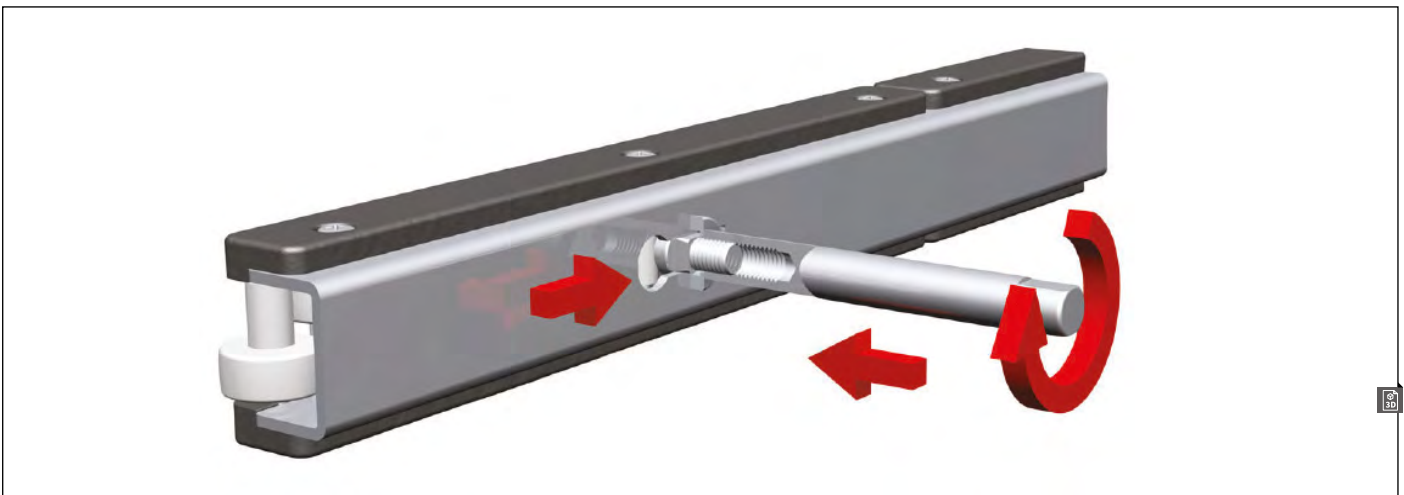


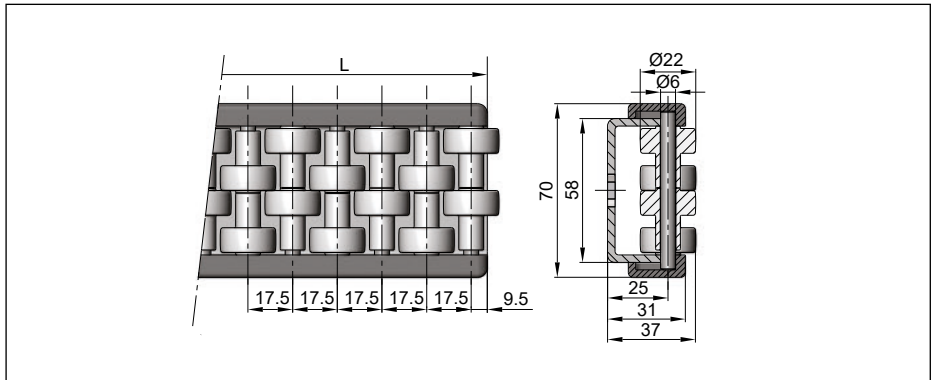
Specifications	
Rollers material	POM
Structure and pin material	Stainless steel
Pins support	PA

Ref.	L	Kg.	Box
8411652	1000	2.41	2
8412790	2000	5.8	2
8413877	3000	8.22	2

L dimension in meters | Best seller

Example of application

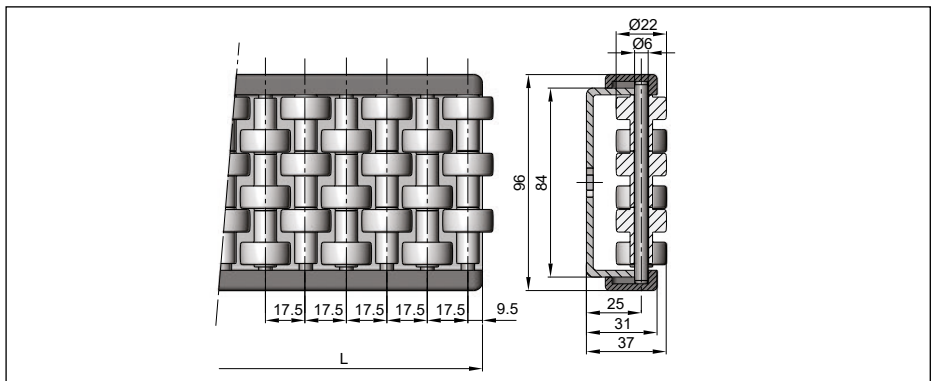




Specifications	
Rollers material	POM
Structure and pin material	Stainless steel
Pins support	PA

Ref.	L	Kg.	Box
8411654	1	3.5	2
8412792	2	7	2
8413879	3	10.5	2

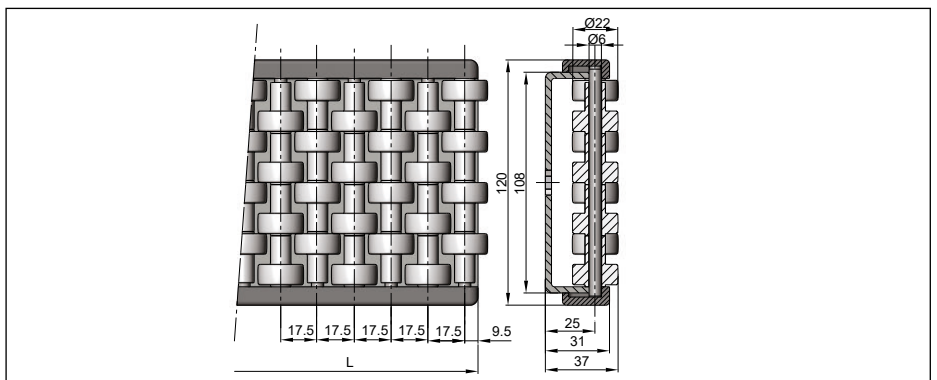
L dimension in meters | Best seller



Specifications	
Rollers material	POM
Structure and pin material	Stainless steel
Pins support	PA

Ref.	L	Kg.	Box
8411657	1	4.6	2
8412795	2	9.2	2
8413881	3	13.8	2

L dimension in meters | Best seller



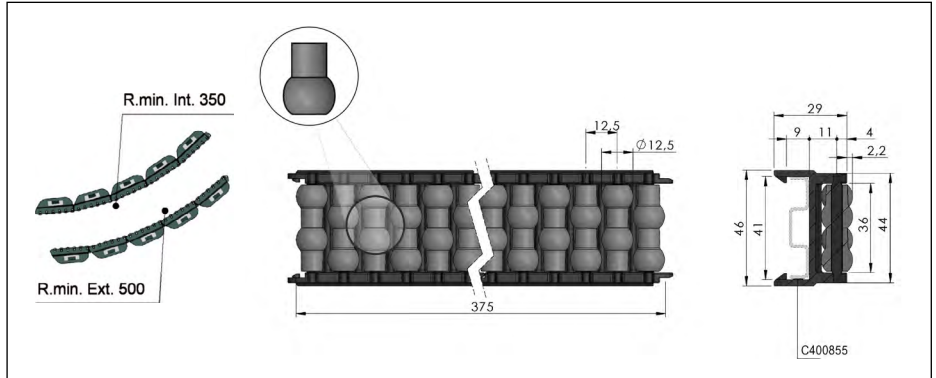
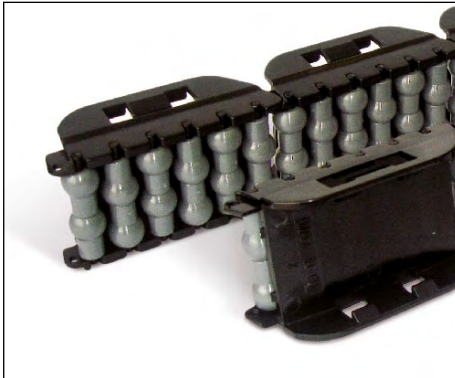
Specifications	
Rollers material	POM
Structure and pin material	Stainless steel
Pins support	PA

Ref.	L	Kg.	Box
8411660	1	5.75	2
8412797	2	11.5	2
8413883	3	17.25	1

L dimension in meters

COMPONENTS





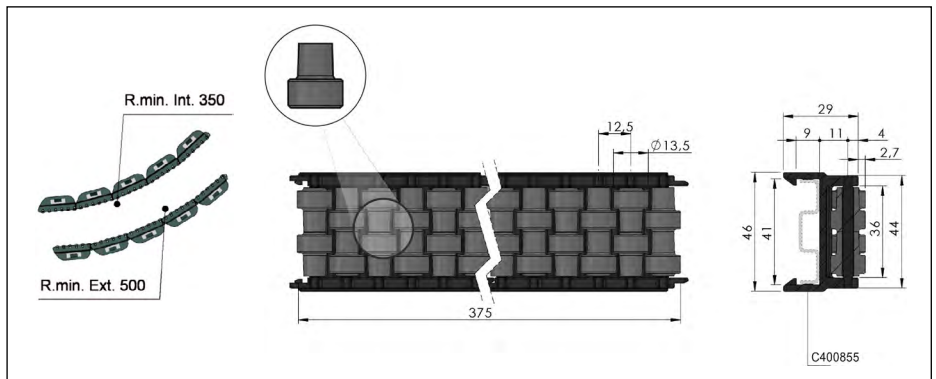
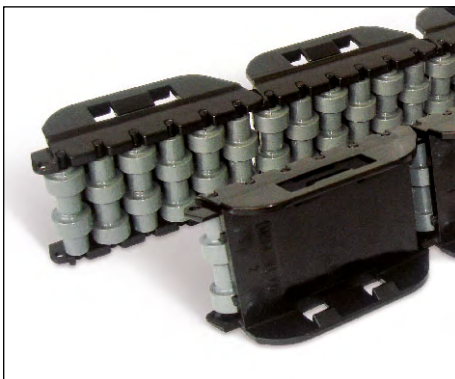
Specifications

Rollers material	Polyethylene
Structure and pin material	Acetalica resin

Notes

Pins material also available on SS304

Ref.	Kg.	Box
8427307	0.22	10



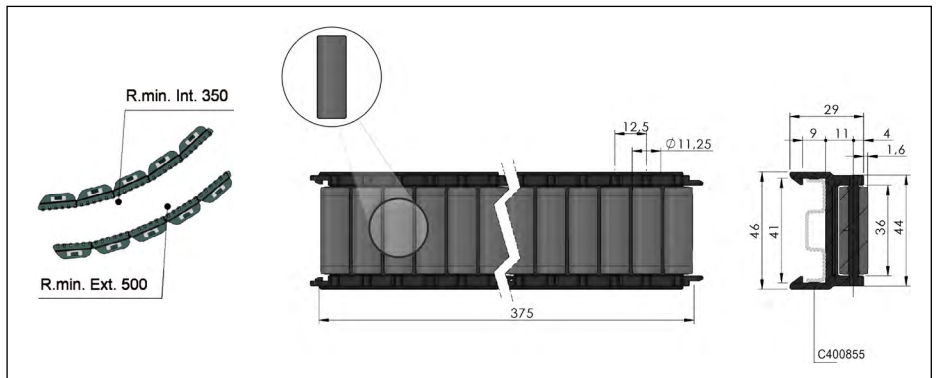
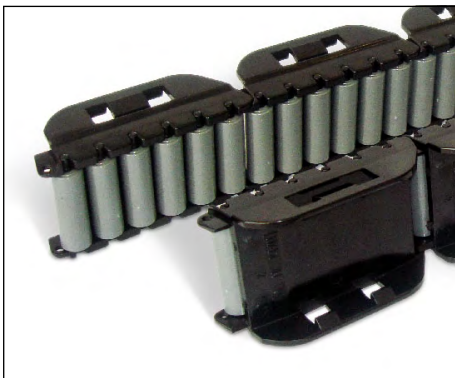
Specifications

Rollers material	Polyethylene
Structure and pin material	Acetalica resin

Notes

Pins material also available on SS304

Ref.	Kg.	Box
8427315	0.23	10



Specifications

Rollers material	Polyethylene
Structure and pin material	Acetalica resin

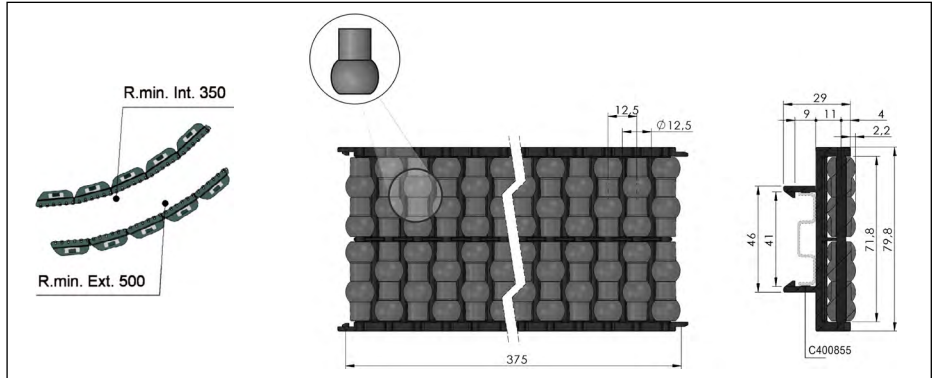
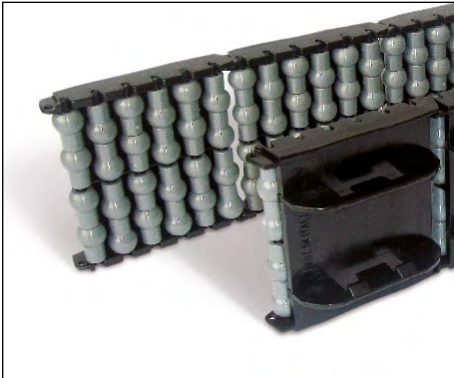
Notes

Pins material also available on SS304

Ref.	Kg.	Box
8427301	0.24	10

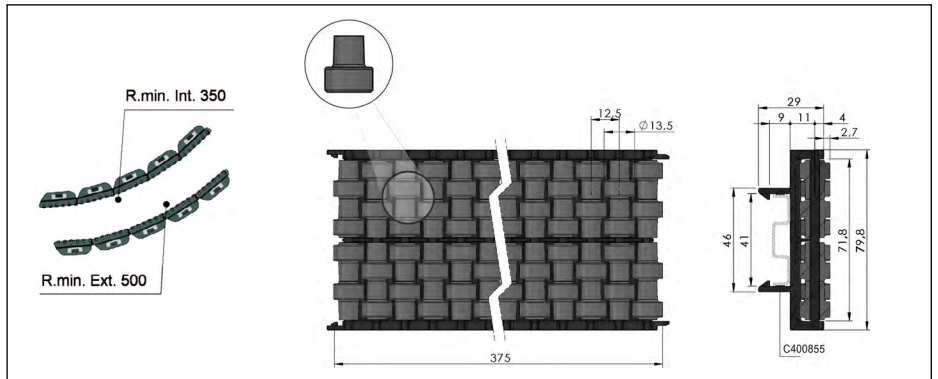
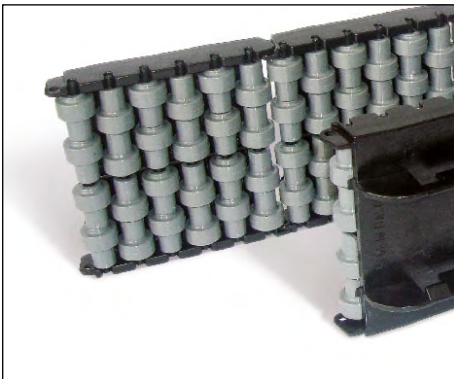
COMPONENTS





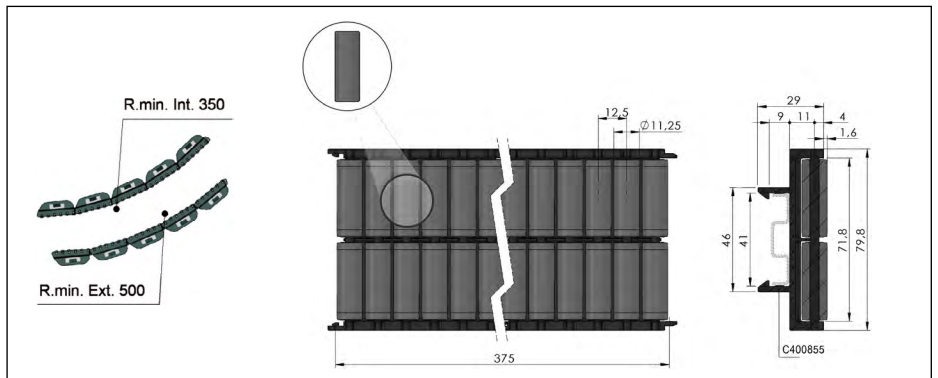
Specifications	
Rollers material	Polyethylene
Structure and pin material	Acetalica resin
Notes	
Pins material also available on SS304	

Ref.	Kg.	Box
8427326	0.37	5



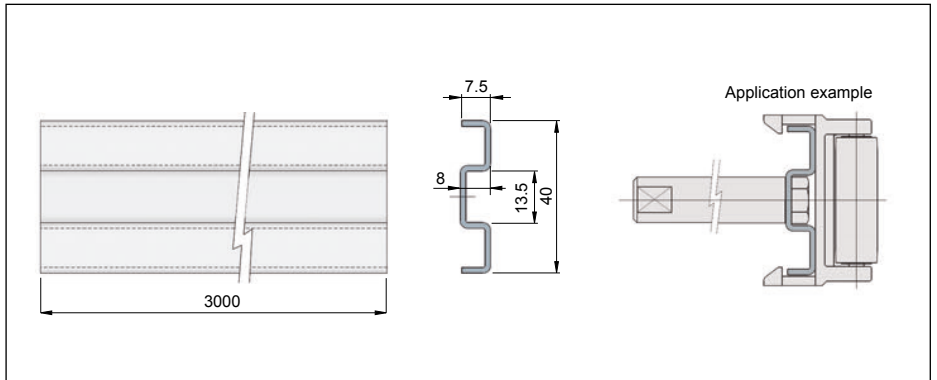
Specifications	
Rollers material	Polyethylene
Structure and pin material	Acetalica resin
Notes	
Pins material also available on SS304	

Ref.	Kg.	Box
8427329	0.4	5



Specifications	
Rollers material	Polyethylene
Structure and pin material	Acetalica resin
Notes	
Pins material also available on SS304	

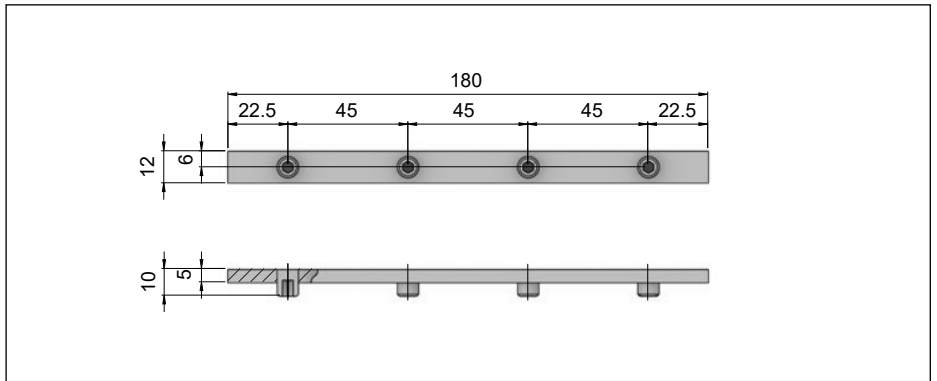
Ref.	Kg.	Box
8427323	0.41	5



Specifications

Material: Stainless steel

Ref.	Kg.
C4008SS.L3	0.59

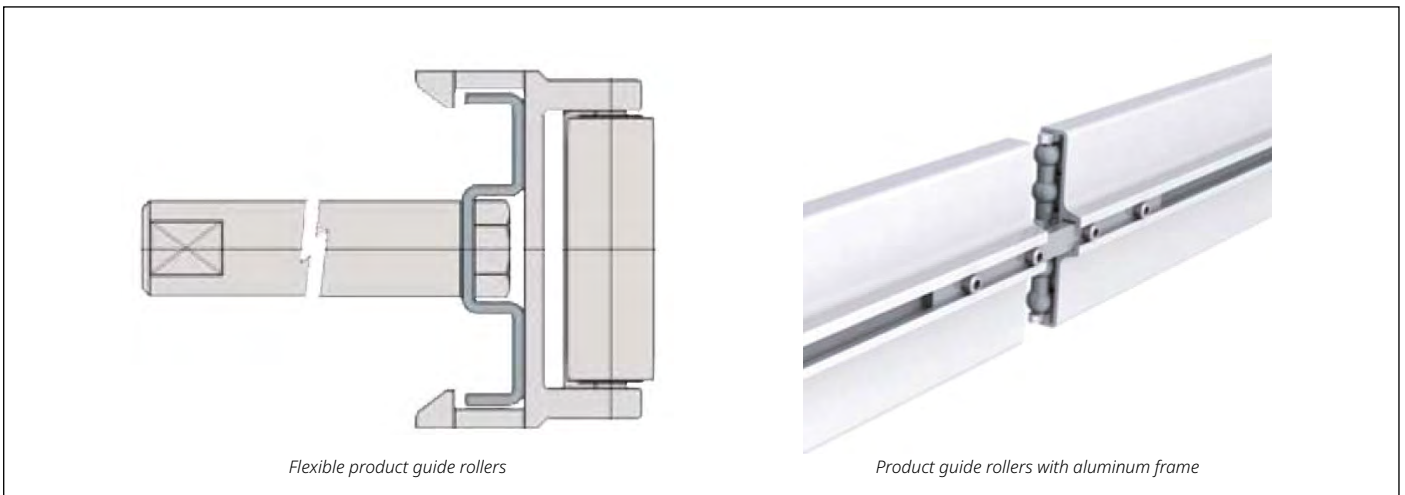


Specifications

Material: Zinc plated steel

Ref.	Kg.	Box
8427120	0.9	100

Example of application

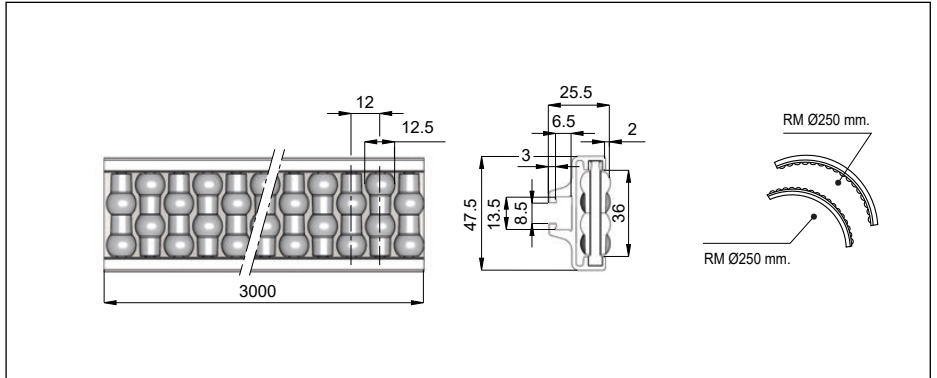
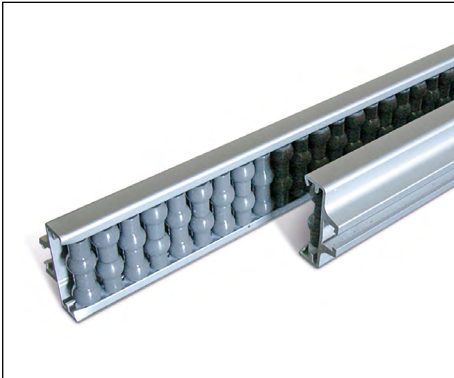


Flexible product guide rollers

Product guide rollers with aluminum frame

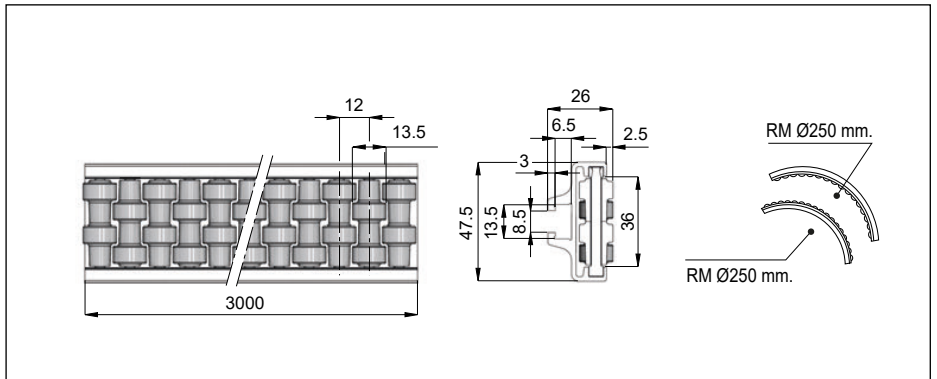
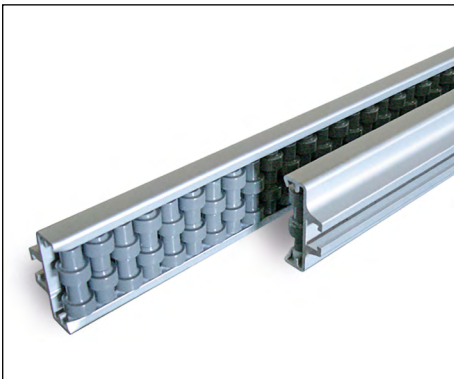
COMPONENTS





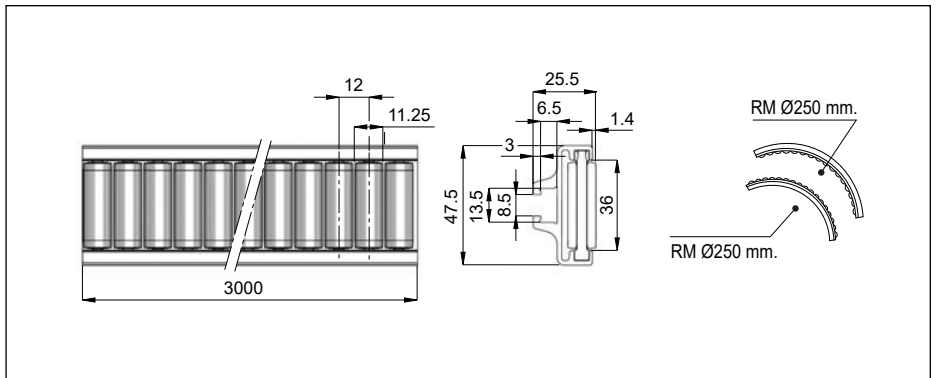
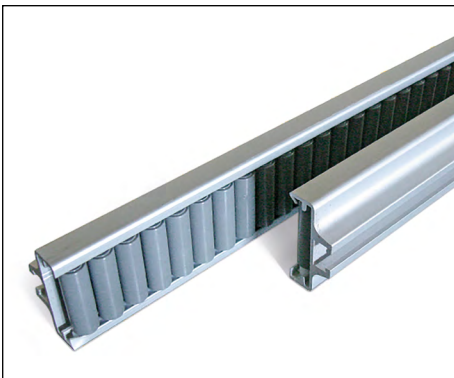
Specifications	
Rollers material	Polyethylene
Structure	Anodized aluminum
Pin material	Acetal resin

Ref.	Kg.
8431560	2.83



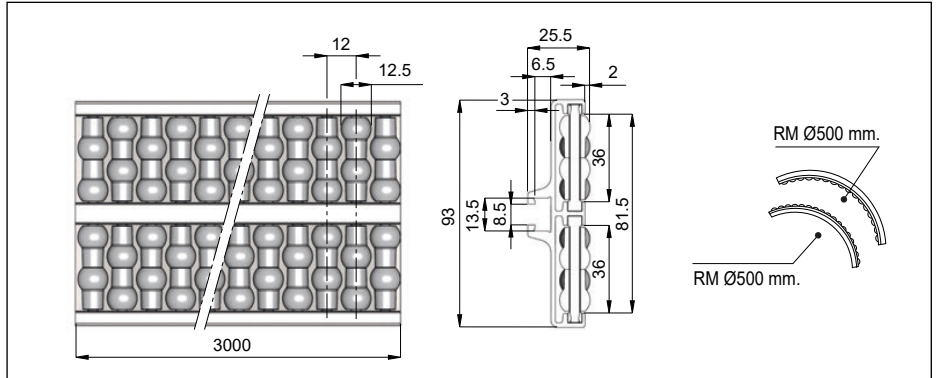
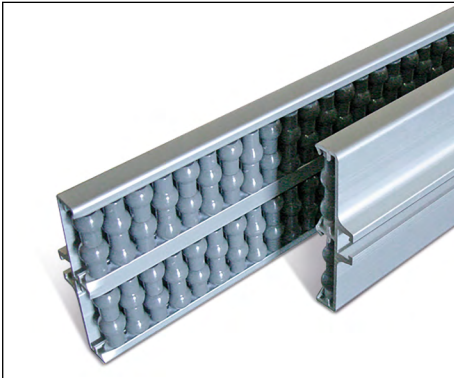
Specifications	
Rollers material	Polyethylene
Structure	Anodized aluminum
Pin material	Acetal resin

Ref.	Kg.
8431962	2.83



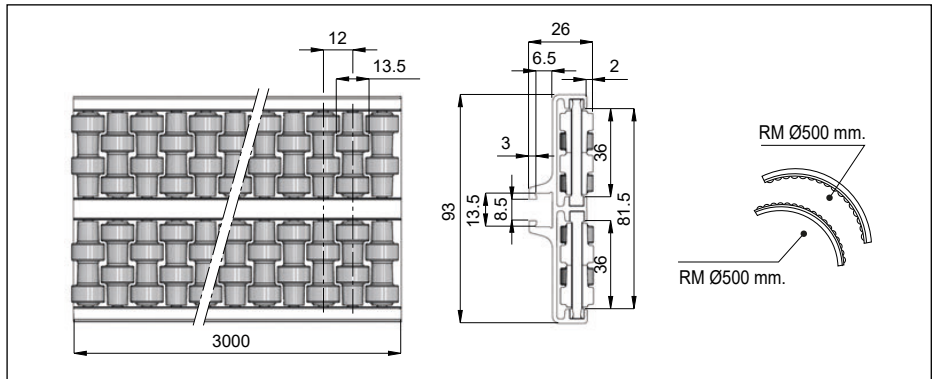
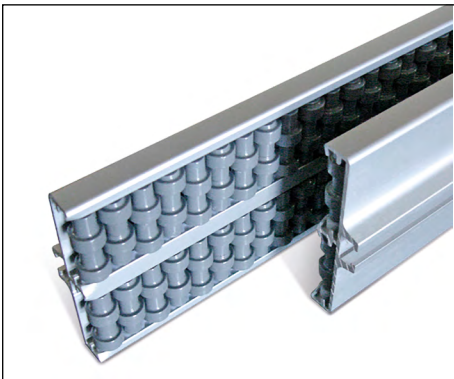
Specifications	
Rollers material	Polyethylene
Structure	Anodized aluminum
Pin material	Acetal resin

Ref.	Kg.
8431761	3



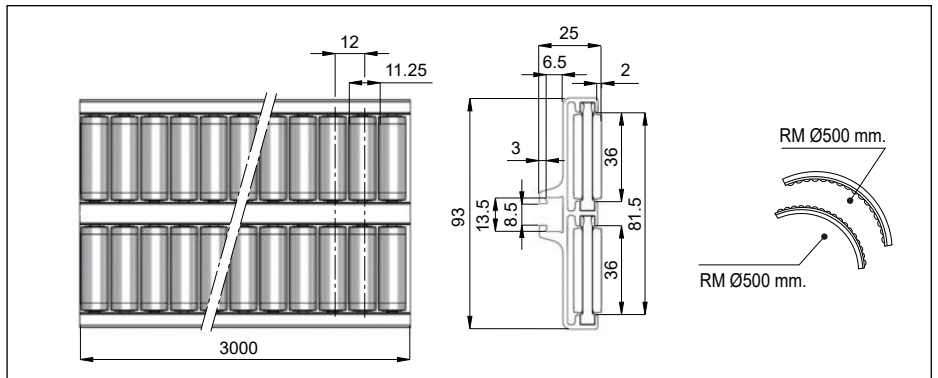
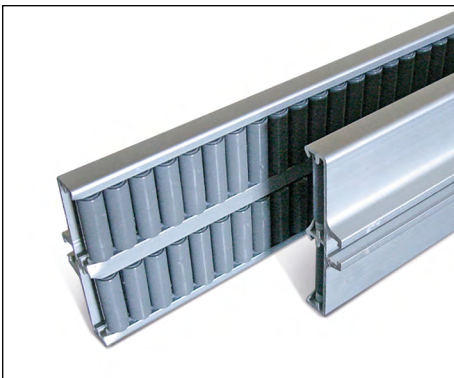
Polyethylene	
Rollers material	Polyethylene
Structure	Anodized aluminum
Pin material	Acetal resin

Ref.	Kg.
8432568	4.88



Specifications	
Rollers material	Polyethylene
Structure	Anodized aluminum
Pin material	Acetal resin

Ref.	Kg.
8432970	5.06

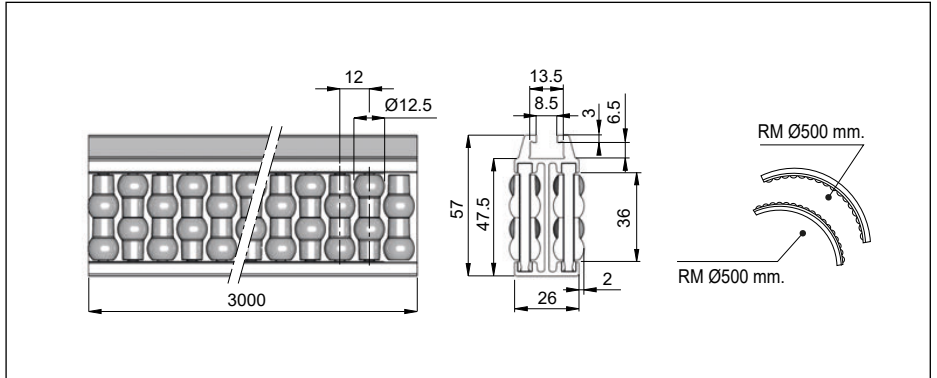
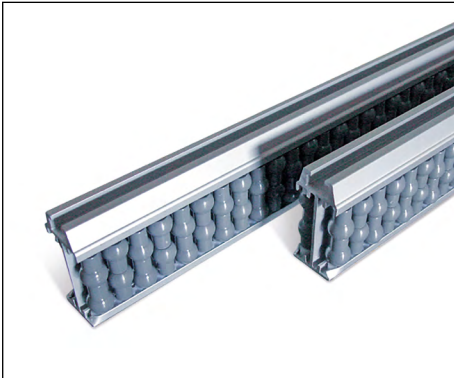


Specifications	
Rollers material	Polyethylene
Structure	Anodized aluminum
Pin material	Acetal resin

Ref.	Kg.
8432769	5.24

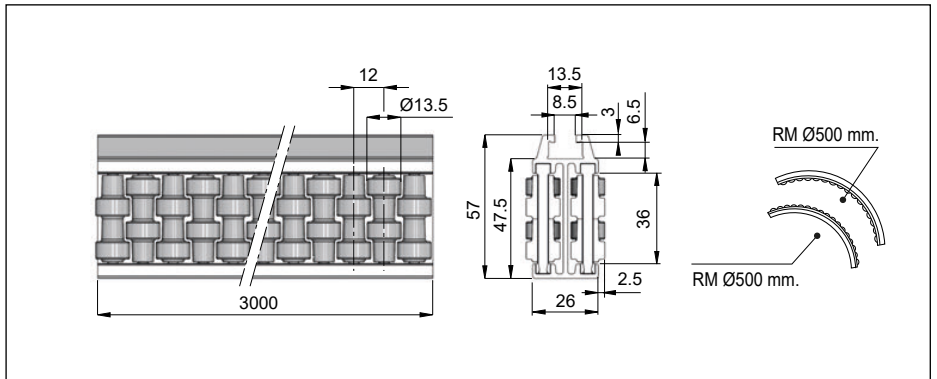
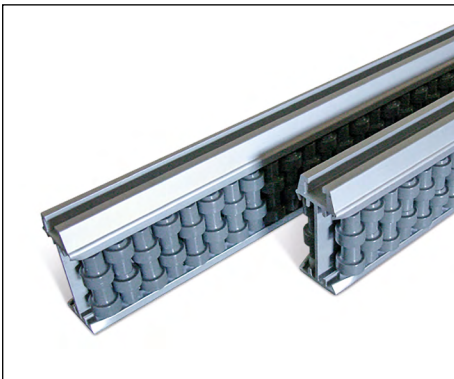
COMPONENTS

⏪
⏩



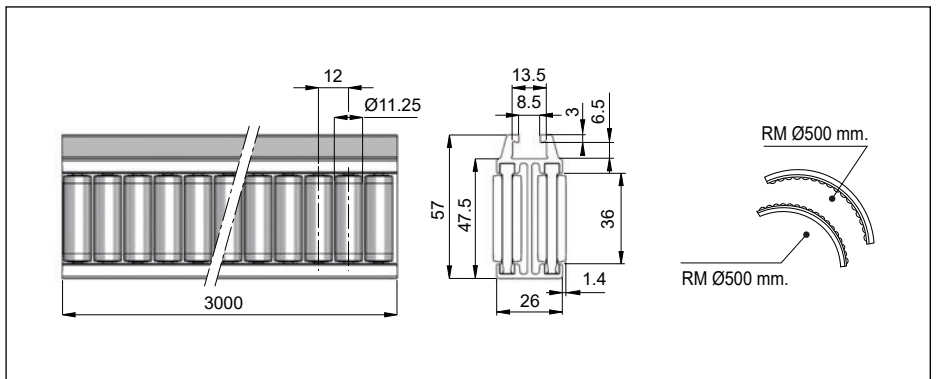
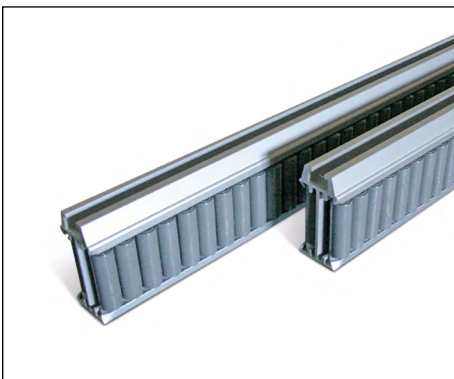
Specifications	
Rollers material	Polyethylene
Structure	Anodized aluminum
Pin material	Acetal resin

Ref.	Kg.
8441574	4.26



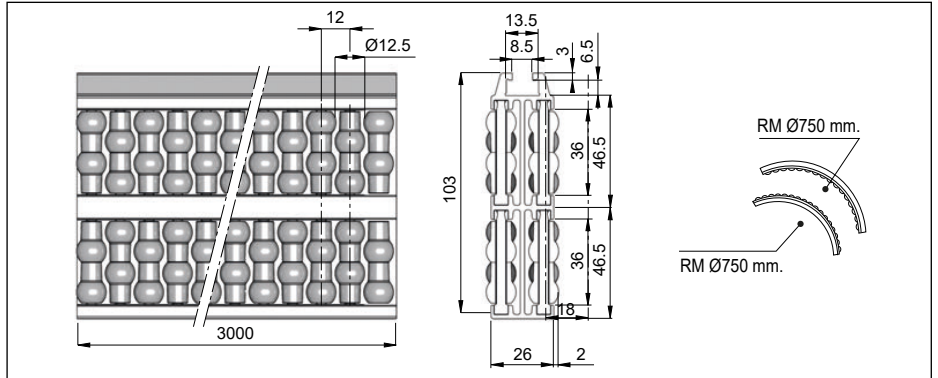
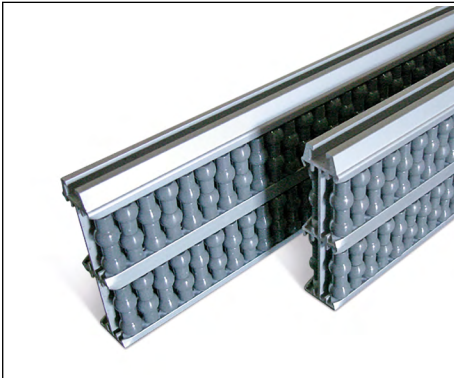
Specifications	
Rollers material	Polyethylene
Structure	Anodized aluminum
Pin material	Acetal resin

Ref.	Kg.
8441976	4.44



Specifications	
Rollers material	Polyethylene
Structure	Anodized aluminum
Pin material	Acetal resin

Ref.	Kg.
8441775	4.56



Specifications

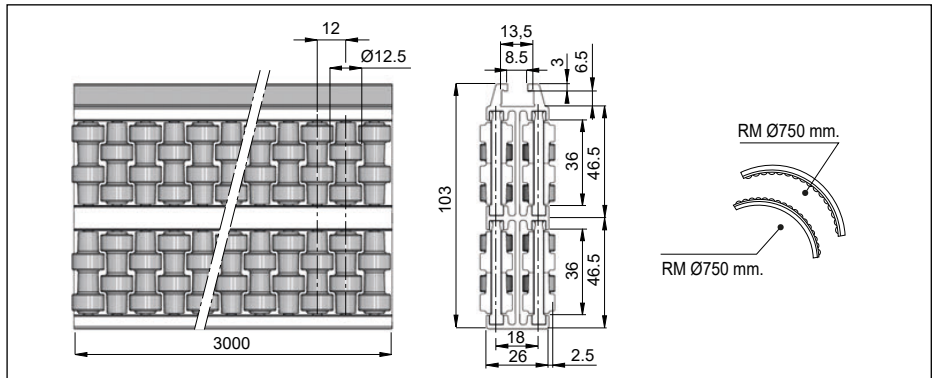
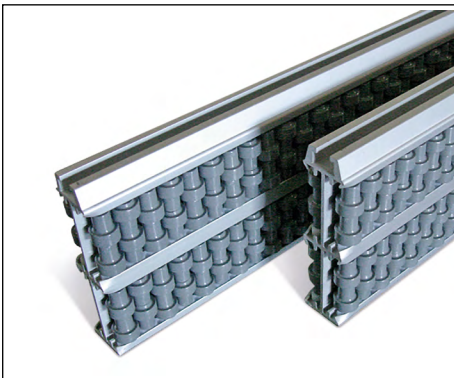
Rollers material	Polyethylene
Structure	Anodized aluminum
Pin material	Acetal resin

Ref.

8442579

Kg.

7.58



Specifications

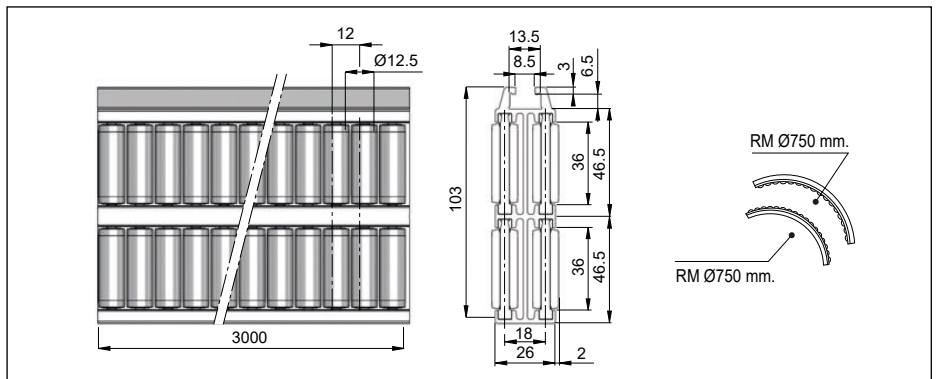
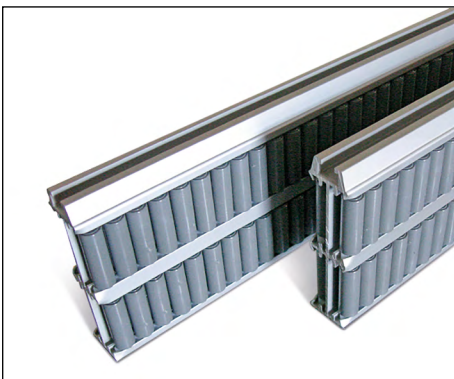
Rollers material	Polyethylene
Structure	Anodized aluminum
Pin material	Acetal resin

Ref.

8442981

Kg.

7.92



Specifications

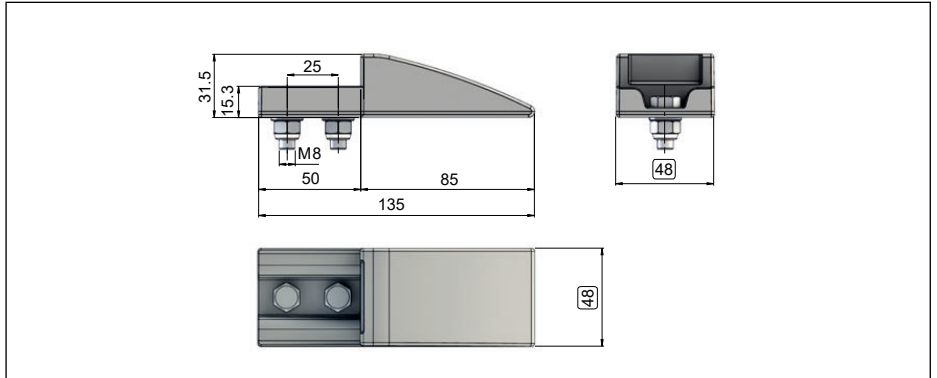
Rollers material	Polyethylene
Structure	Anodized aluminum
Pin material	Acetal resin

Ref.

8442780

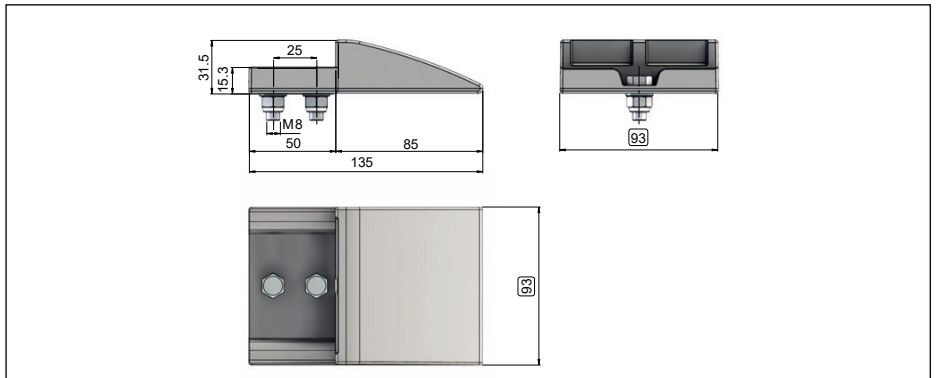
Kg.

8.16



Specifications	
Bracket material	Polyethylenel
Fasteners material	Stainless steel
To use with guides	
8431560	8431761 8431962

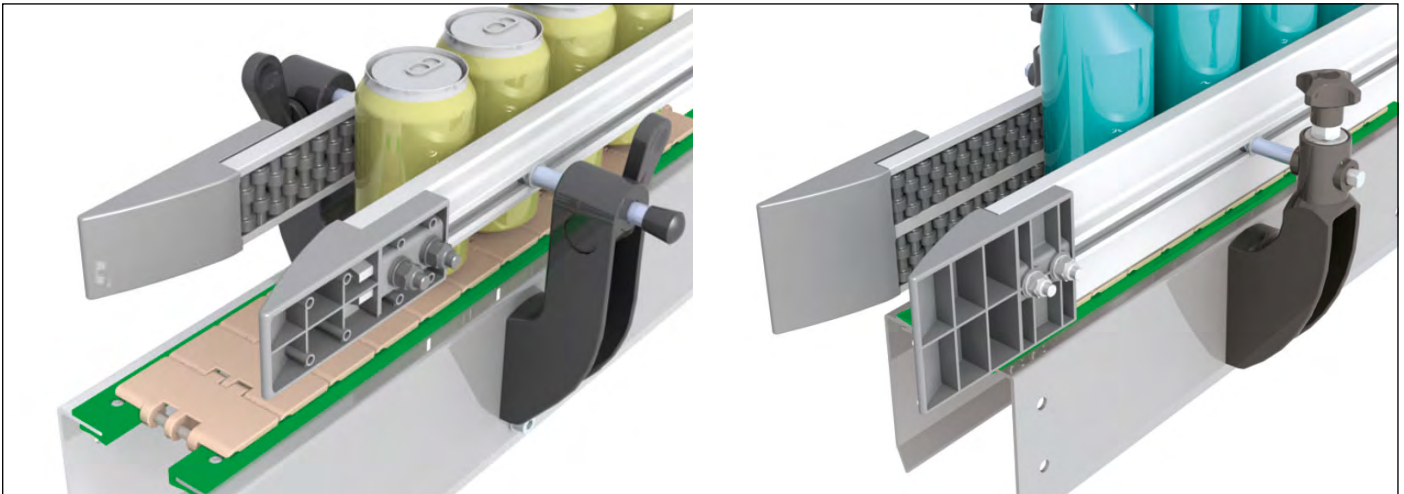
Ref.	Kg.	Box
8427168	0.08	25

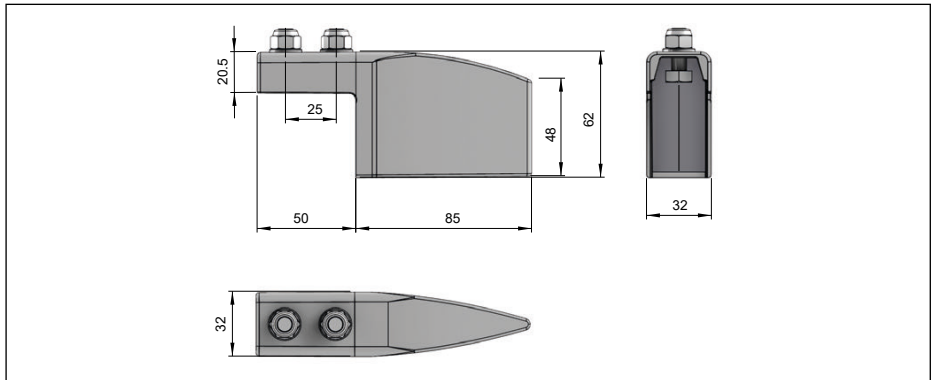


Specifications	
Bracket material	Polyethylenel
Fasteners material	Stainless steel
To use with guides	
8432568	8432769 8432970

Ref.	Kg.	Box
8427170	0.12	20

Example of application





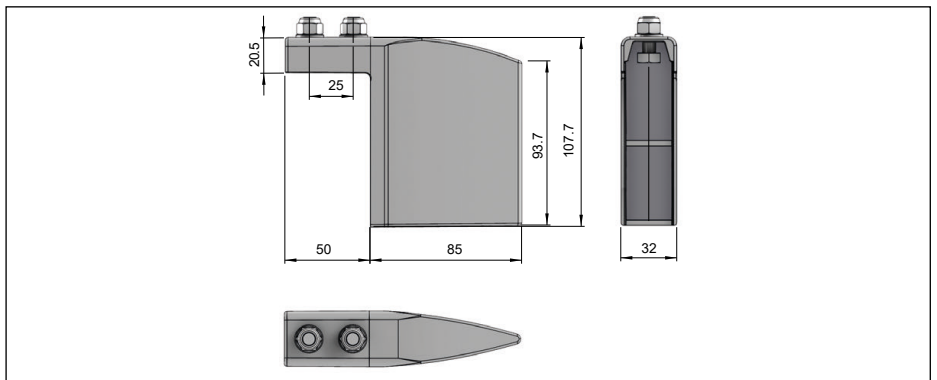
Specifications

Bracket material	Polyethylenel
Fasteners material	Stainless steel

To use with guides

8441574	8441775	8441976
---------	---------	---------

Ref.	Kg.	Box
8427173	0.09	25



Specifications

Bracket material	Polyethylenel
Fasteners material	Stainless steel

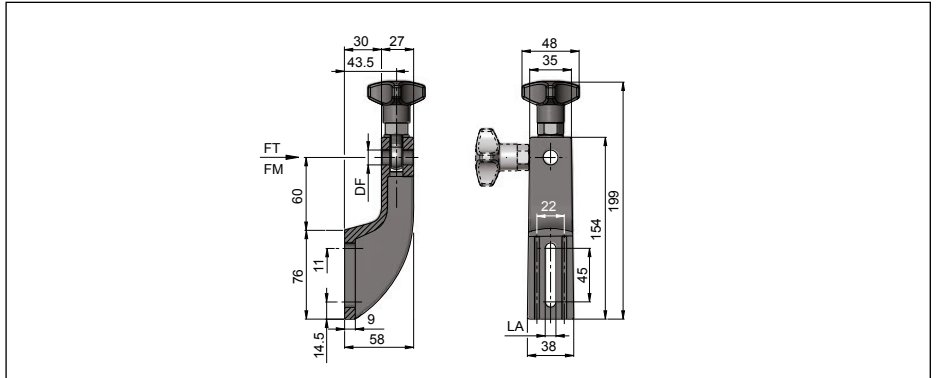
To use with guides

8442579	8442780	8442981
---------	---------	---------

Ref.	Kg.	Box
8427175	0.12	20

Example of application

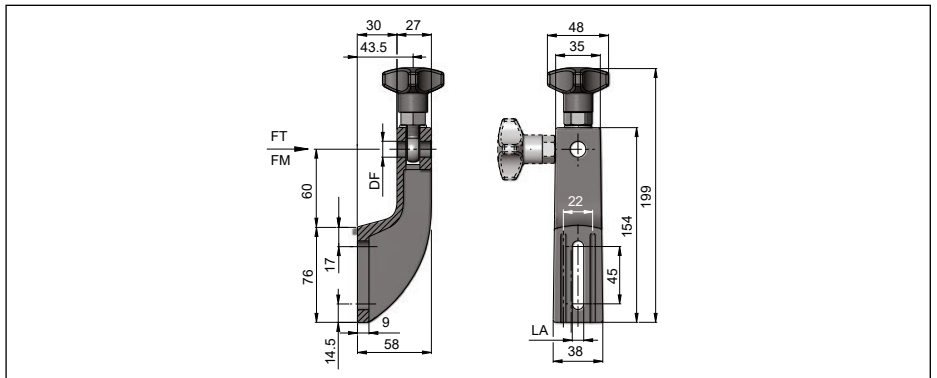




Specifications	
Bracket material	Reinforced polyamide
Eyebolt material	Stainless steel
Bushing material	Nickel plated brass

Ref.	DF	LA	FT (Nw)	FM (Nw)	Kg.	Box
			Work Load	Max Load		
★ 8110092NV	12.5	9	2000	4000	0.21	25
8110093NV	14.5	9	3000	4000	0.21	25
8110094NV	16.5	9	3000	4000	0.21	25
★ 8110095NV	12.5	10.5	2000	4000	0.21	25
8110096NV	14.5	10.5	3000	4000	0.2	25
8110097NV	16.5	10.5	3000	4000	0.2	25

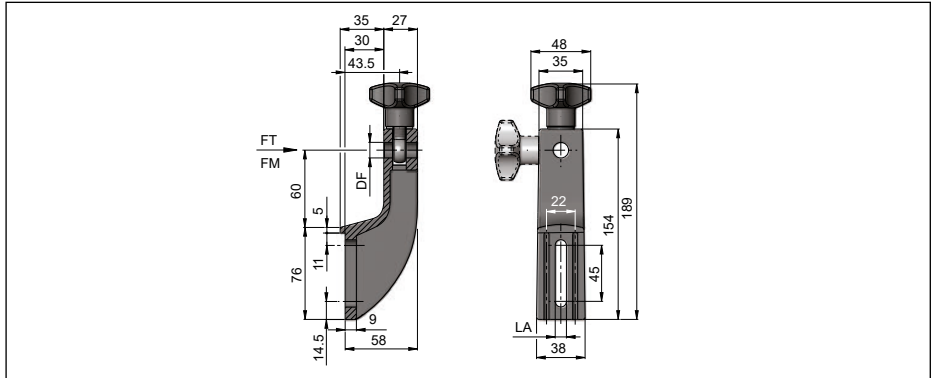
Dimensions in mm | ★ Best seller



Specifications	
Bracket material	Reinforced polyamide
Eyebolt material	Stainless steel
Bushing material	Nickel plated brass

Ref.	DF	LA	FT (Nw)	FM (Nw)	Kg.	Box
			Work Load	Max Load		
★ 8110030NV	12.5	9	2000	4000	0.2	25
8110031NV	14.5	9	3000	4000	0.2	25
8110032NV	16.5	9	3000	4000	0.2	25
★ 8110033NV	12.5	10.5	2000	4000	0.2	25
8110034NV	14.5	10.5	3000	4000	0.2	25
8110035NV	16.5	10.5	3000	4000	0.2	25

Dimensions in mm | ★ Best seller

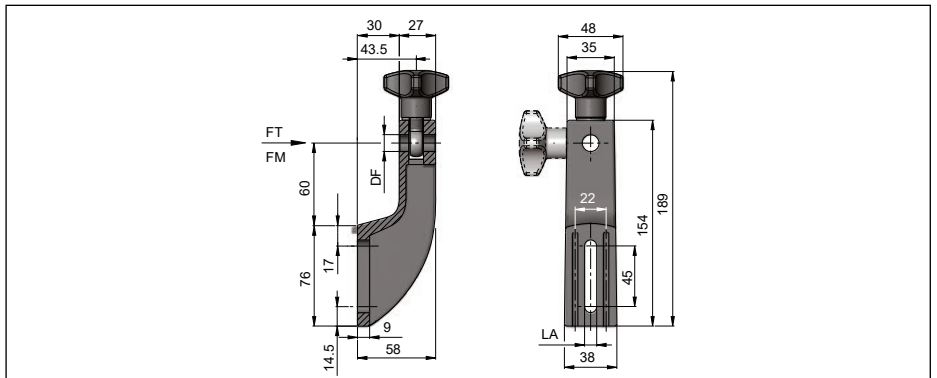


Specifications	
Bracket material	Reinforced polyamide
Eyebolt material	Stainless steel

Ref.	DF	LA	FT (Nw)	FM (Nw)	Kg.	Box
			Work Load	Max Load		
8110263	12.5	9	2000	4000	0.21	25
8110264	14.5	9	3000	4000	0.21	25
8110265	16.5	9	3000	4000	0.21	25
8110268	12.5	10.5	2000	4000	0.21	25
8110269	14.5	10.5	3000	4000	0.2	25
8110270	16.5	10.5	3000	4000	0.2	25

Dimensions in mm

COMPONENTS

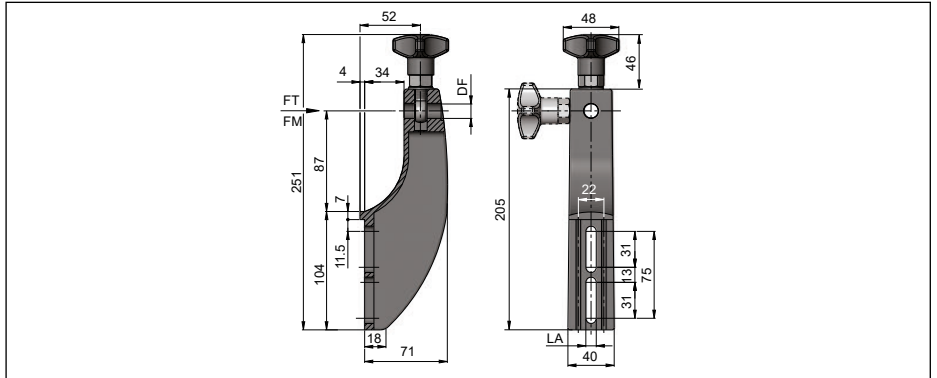


Specifications	
Bracket material	Reinforced polyamide
Eyebolt material	Stainless steel

Ref.	DF	LA	FT (Nw)	FM (Nw)	Kg.	Box
			Work Load	Max Load		
8110272	12.5	9	2000	4000	0.2	25
8110273	14.5	9	3000	4000	0.2	25
8110274	16.5	9	3000	4000	0.2	25
8110276	12.5	10.5	2000	4000	0.2	25
8110277	14.5	10.5	3000	4000	0.2	25
8110278	16.5	10.5	3000	4000	0.2	25

Dimensions in mm | Best seller

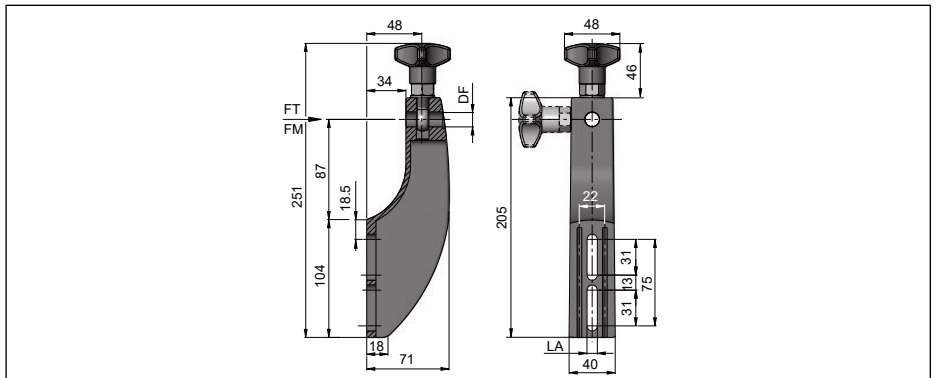




Specifications	
Bracket material	Reinforced polyamide
Eyebolt material	Stainless steel
Bushing material	Nickel plated brass

Ref.	DF	LA	FT (Nw)	FM (Nw)	Kg.	Box
			Work Load	Max Load		
8110024	12.5	9	2000	5000	0.28	20
8110025	14.5	9	3000	5000	0.278	20
8110026	16.5	9	3200	5000	0.276	20
8110027	12.5	10.5	2000	5000	0.28	20
8110028	14.5	10.5	3000	5000	0.278	20
8110029	16.5	10.5	3200	5000	0.276	20

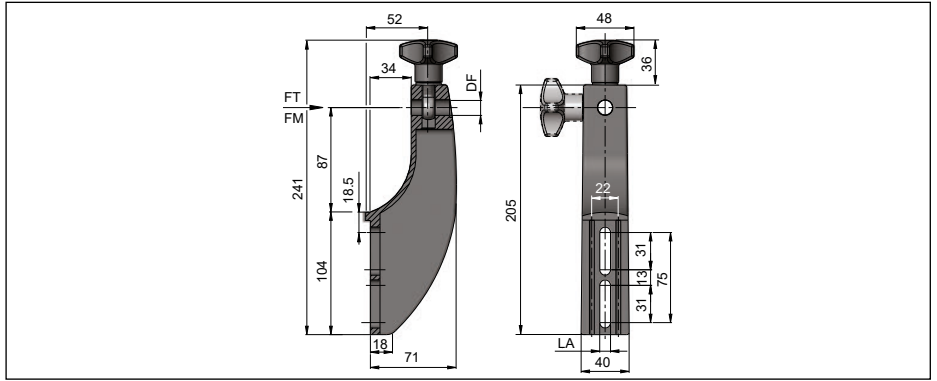
Dimensions in mm



Specifications	
Bracket material	Reinforced polyamide
Eyebolt material	Stainless steel
Bushing material	Nickel plated brass

Ref.	DF	LA	FT (Nw)	FM (Nw)	Kg.	Box
			Work Load	Max Load		
★ 8110018	12.5	9	2000	5000	0.283	20
8110019	14.5	9	3000	5000	0.281	20
8110020	16.5	9	3200	5000	0.279	20
★ 8110021	12.5	10.5	2000	5000	0.283	20
8110022	14.5	10.5	3000	5000	0.281	20
8110023	16.5	10.5	3200	5000	0.279	20

Dimensions in mm | ★ Best seller

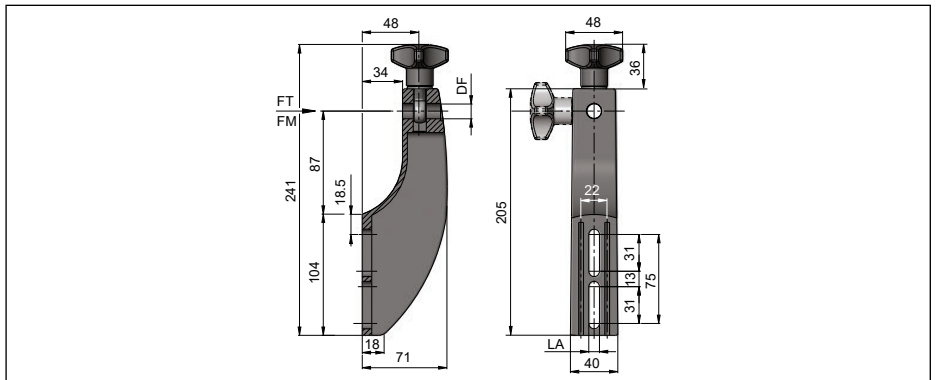


Specifications	
Bracket material	Reinforced polyamide
Eyebolt material	Stainless steel

Ref.	DF	LA	FT (Nw)	FM (Nw)	Kg.	Box
			Work Load	Max Load		
8110150	12.5	9	2000	5000	0.28	20
8110151	14.5	9	3000	5000	0.278	20
8110152	16.5	9	3200	5000	0.276	20
8110156	12.5	10.5	2000	5000	0.28	20
8110157	14.5	10.5	3000	5000	0.278	20
8110158	16.5	10.5	3200	5000	0.276	20

Dimensions in mm

COMPONENTS

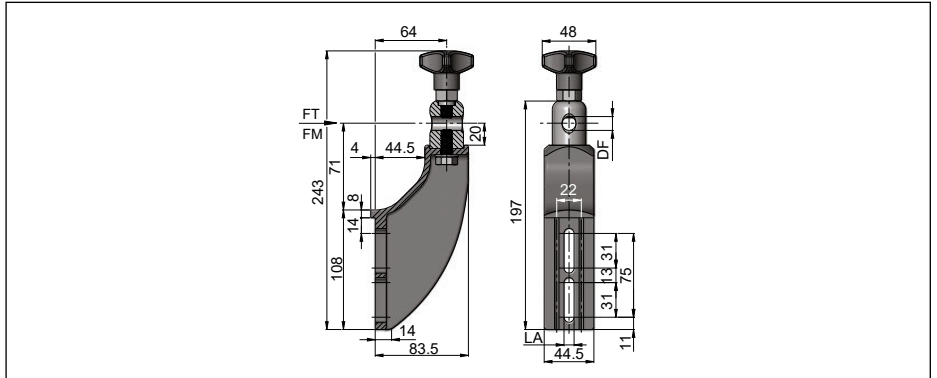


Specifications	
Bracket material	Reinforced polyamide
Eyebolt material	Stainless steel

Ref.	DF	LA	FT (Nw)	FM (Nw)	Kg.	Box
			Work Load	Max Load		
8110137	12.5	9	2000	5000	0.283	20
8110138	14.5	9	3000	5000	0.281	20
8110139	16.5	9	3200	5000	0.279	20
8110142	12.5	10.5	2000	5000	0.283	20
8110143	14.5	10.5	3000	5000	0.281	20
8110144	16.5	10.5	3200	5000	0.279	20

Dimensions in mm

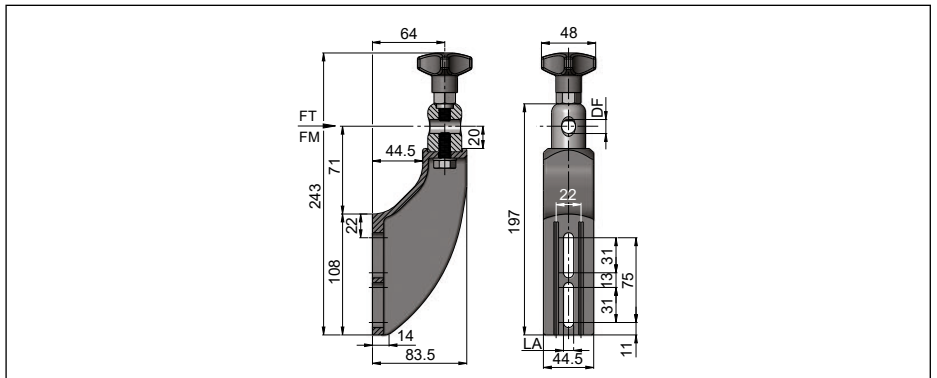




Specifications	
Bracket material	Reinforced polyamide
Head material	Stainless steel
Bushing material	Nickel plated brass

Ref.	DF	LA	FT (Nw)	FM (Nw)	Kg.	Box
			Work Load	Max Load		
8115160	12.5	9	5000	7500	0.49	20
8115161	14.5	9	6000	7500	0.47	20
8115163	16.5	9	6000	7500	0.44	20
8115175	12.5	10.5	5000	7500	0.49	20
8115176	14.5	10.5	5000	7500	0.47	20
8115178	16.5	10.5	6000	7500	0.44	20

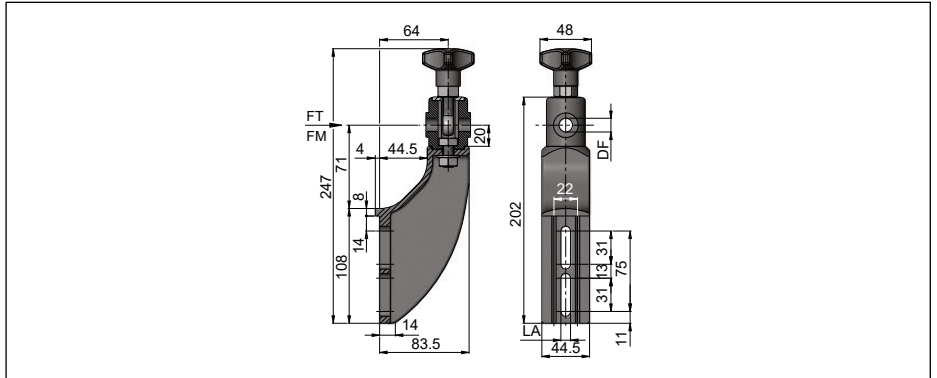
Dimensions in mm



Specifications	
Bracket material	Reinforced polyamide
Head material	Stainless steel
Bushing material	Nickel plated brass

Ref.	DF	LA	FT (Nw)	FM (Nw)	Kg.	Box
			Work Load	Max Load		
8115185	12.5	9	5000	7500	0.49	20
8115186	14.5	9	6000	7500	0.47	20
8115187	16.5	9	6000	7500	0.44	20
8115190	12.5	10.5	5000	7500	0.49	20
8115191	14.5	10.5	6000	7500	0.47	20
8115193	16.5	10.5	6000	7500	0.44	20

Dimensions in mm



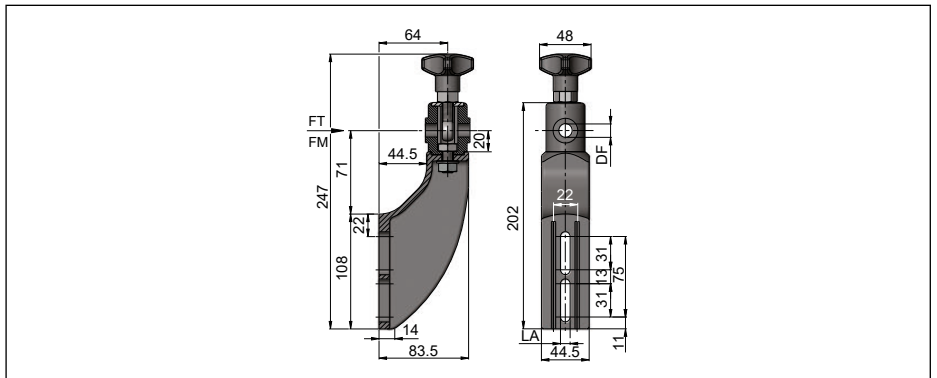
Specifications

Bracket and head material	Reinforced polyamide
Eyebolt material	Stainless steel
Bushing material	Nickel plated brass

Ref.	DF	LA	FT (Nw)	FM (Nw)	Kg.	Box
			Work Load	Max Load		
8115044	12.5	9	2600	7500	0.33	20
8115045	14.5	9	3500	7500	0.32	20
8115046	16.5	9	3500	7500	0.32	20
8115047	12.5	10.5	2600	7500	0.33	20
8115048	14.5	10.5	3500	7500	0.32	20
8115049	16.5	10.5	3500	7500	0.32	20

Dimensions in mm

COMPONENTS



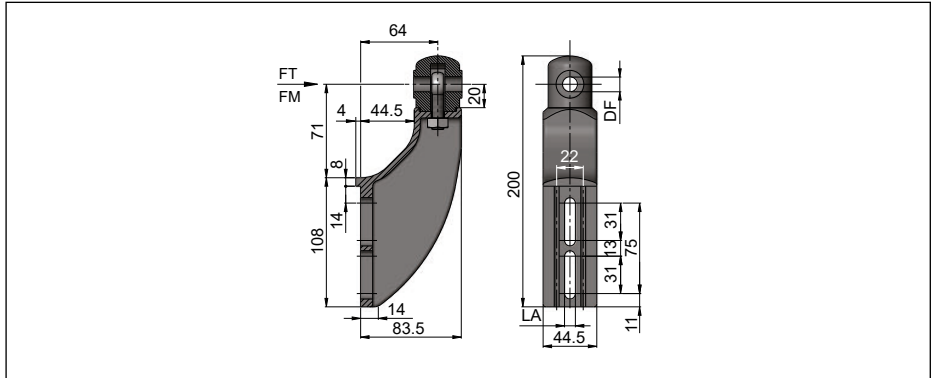
Specifications

Bracket and head material	Reinforced polyamide
Eyebolt material	Stainless steel
Bushing material	Nickel plated brass

Ref.	DF	LA	FT (Nw)	FM (Nw)	Kg.	Box
			Work Load	Max Load		
★ 8115065	12.5	9	2600	7500	0.3	20
8115066	14.5	9	3500	7500	0.3	20
8115067	16.5	9	3500	7500	0.3	20
★ 8115068	12.5	10.5	2600	7500	0.3	20
8115069	14.5	10.5	3500	7500	0.3	20
8115070	16.5	10.5	3500	7500	0.3	20

Dimensions in mm | ★ Best seller

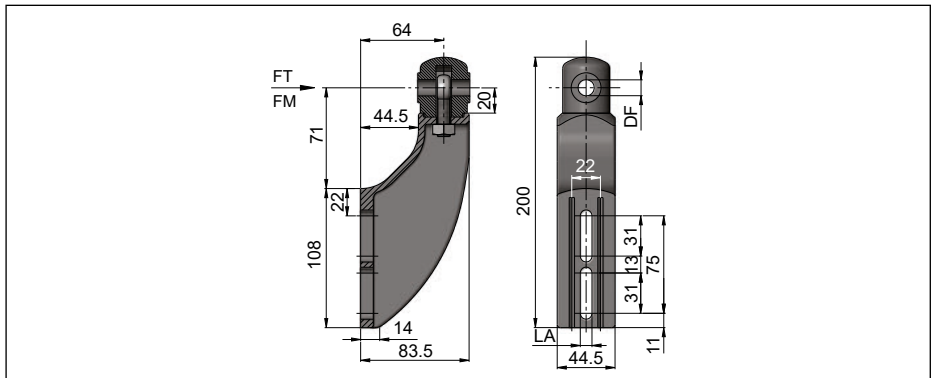




Specifications	
Bracket and head material	Reinforced polyamide
Eyebolt material	Stainless steel

Ref.	DF	LA	FT (Nw)	FM (Nw)	Kg.	Box
			Work Load	Max Load		
8115051	12.5	9	2200	7500	0.2	20
8115052	14.5	9	3000	7500	0.2	20
8115053	16.5	9	3000	7500	0.2	20
8115054	12.5	10.5	2200	7500	0.2	20
8115055	14.5	10.5	3000	7500	0.2	20
8115056	16.5	10.5	3000	7500	0.2	20

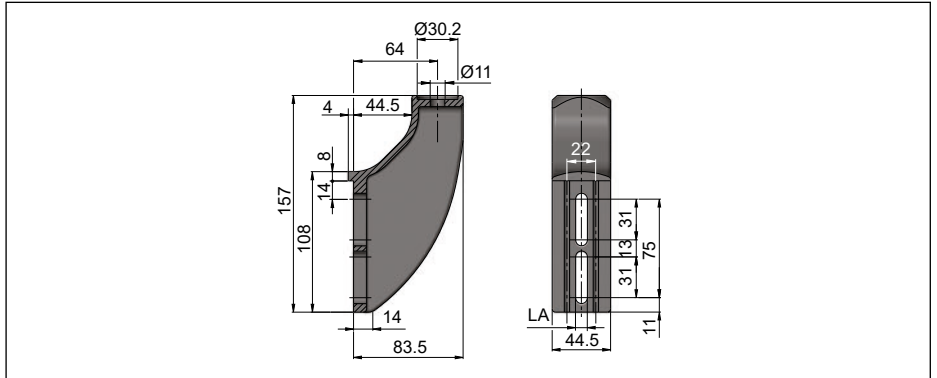
Dimensions in mm



Specifications	
Bracket and head material	Reinforced polyamide
Eyebolt material	Stainless steel

Ref.	DF	LA	FT (Nw)	FM (Nw)	Kg.	Box
			Work Load	Max Load		
8115071	12.5	9	2200	7500	0.21	20
8115072	14.5	9	3000	7500	0.2	20
8115073	16.5	9	3000	7500	0.2	20
8115074	12.5	10.5	2200	7500	0.21	20
8115075	14.5	10.5	3000	7500	0.2	20
8115076	16.5	10.5	3000	7500	0.2	20

Dimensions in mm

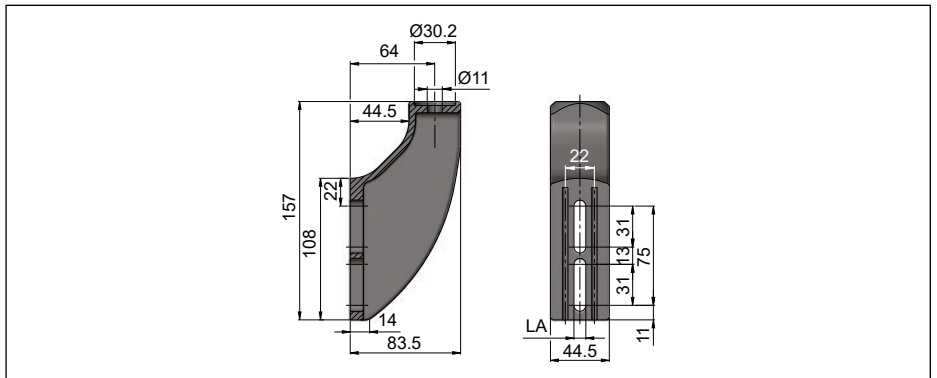


Specifications	
Bracket material	Reinforced polyamide

Ref.	DF	LA	FT (Nw)	FM (Nw)	Kg.	Box
			Work Load	Max Load		
8115036	-	9	-	7500	0.18	20
8115037	-	10.5	-	7500	0.17	20

Dimensions in mm

COMPONENTS

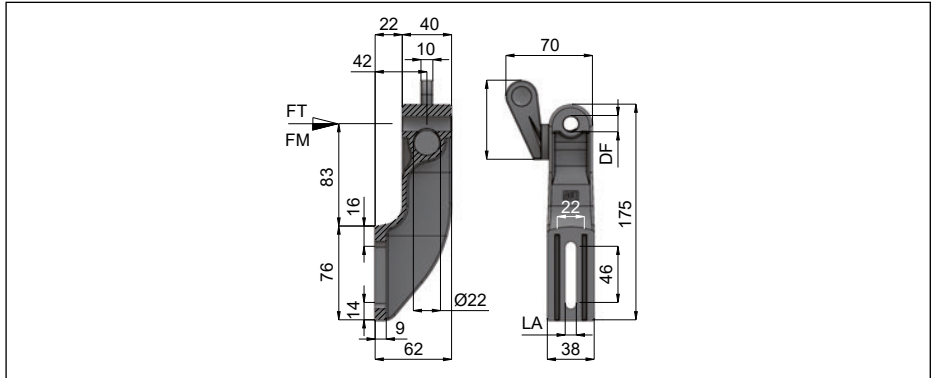


Specifications	
Bracket material	Reinforced polyamide

Ref.	DF	LA	FT (Nw)	FM (Nw)	Kg.	Box
			Work Load	Max Load		
8115057	-	9	-	7500	0.17	20
8115058	-	10.5	-	7500	0.17	20

Dimensions in mm

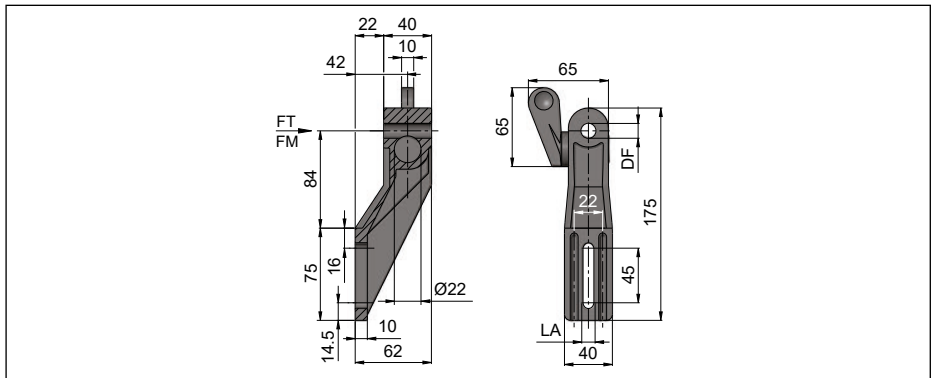




Specifications	
Bracket material	Reinforced polyamide

Ref.	DF	LA	FT (Nw)	FM (Nw)	Kg.	Box
			Work Load	Max Load		
⊕ 8110012NV	12.2	9	800	3000	0.17	25
8110016NV	16.2	9	800	3000	0.17	25

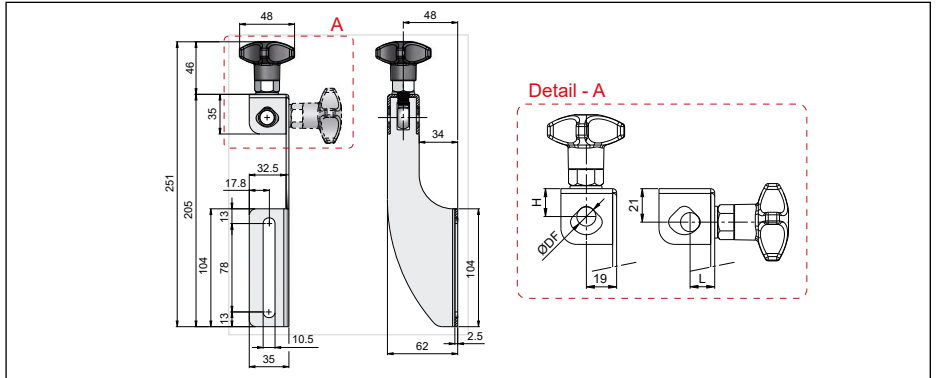
Dimensions in mm | ⊕ Best seller



Specifications	
Bracket material	Reinforced polyamide

Ref.	DF	LA	FT (Nw)	FM (Nw)	Kg.	Box
			Work Load	Max Load		
8110015	15.2	9	800	3000	0.17	25

Dimensions in mm



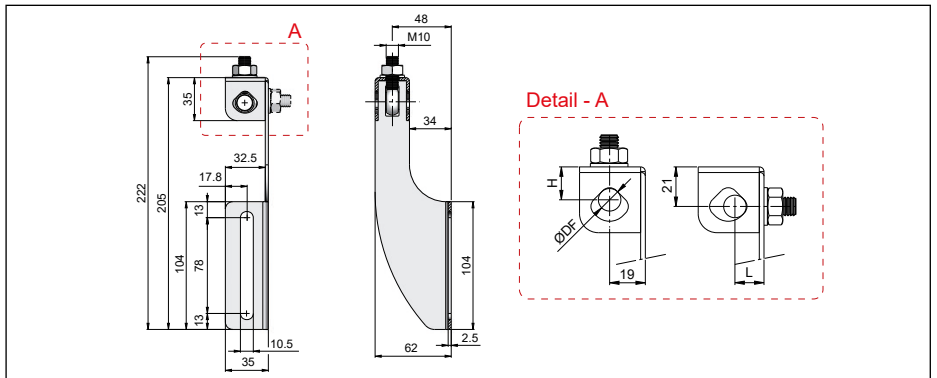
Specifications

Bracket material	Stainless steel
Knob material	Reinforced polyamide
Bushing material	Nickel plated brass

Ref.	DF	H	L	Kg.	Box
8162467	12	18	16	0.33	25
8162467	14	19	17	0.33	25
8162467	16	20	19	0.33	25

Dimensions in mm

COMPONENTS



Specifications

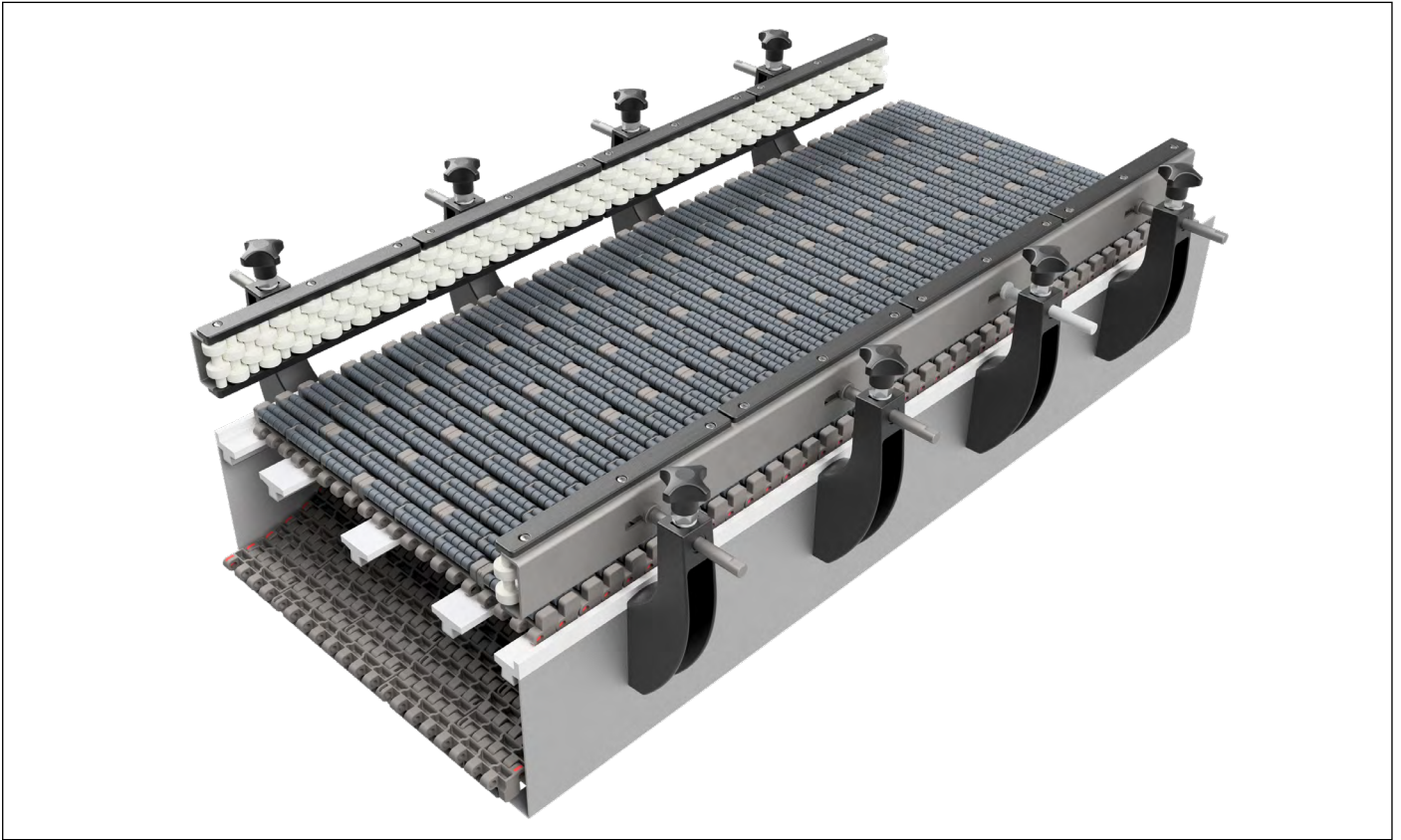
Bracket material	Stainless steel
Bushing material	Stainless steel

Ref.	DF	H	L	Kg.	Box
8161450	12	18	16	0.33	25
8161450	14	19	17	0.33	25
8161450	16	20	19	0.33	25

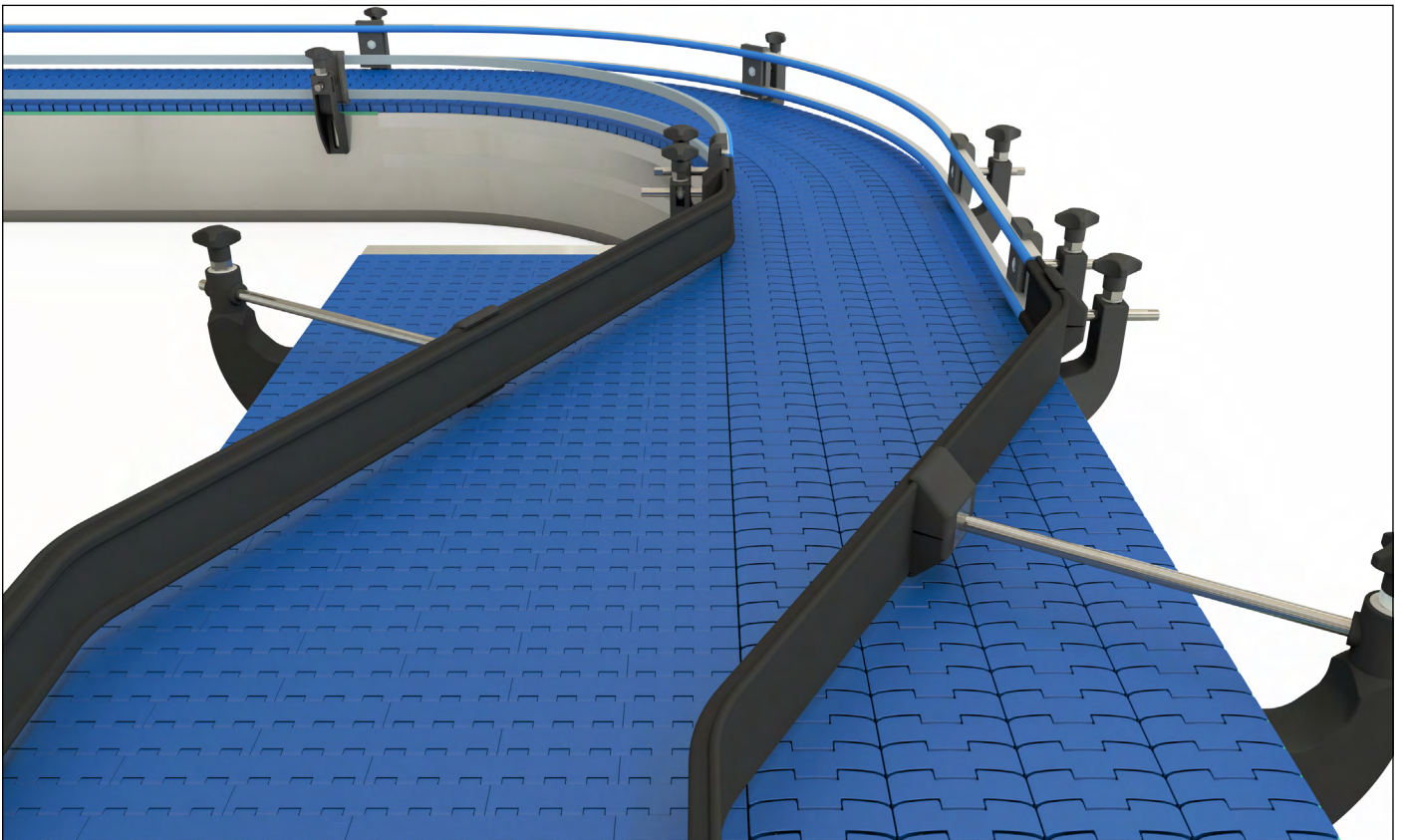
Dimensions in mm

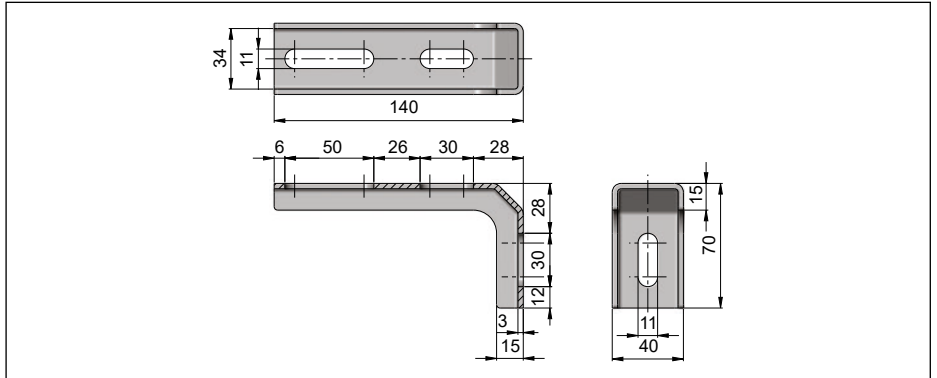


Example of application



Example of application



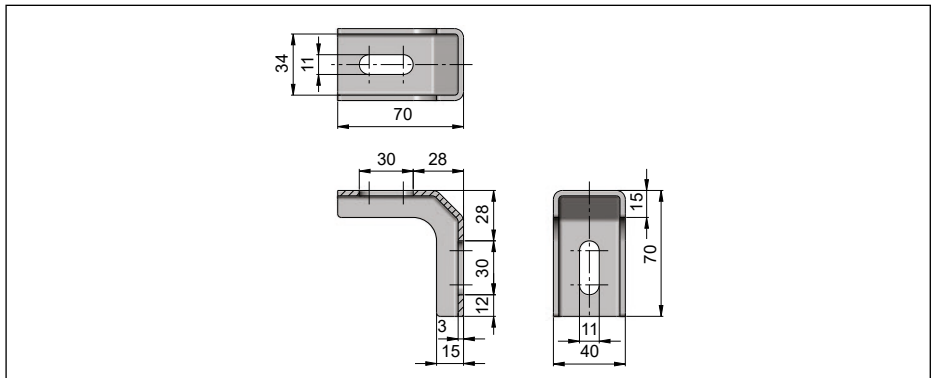


Specifications	
Material	Stainless steel

Ref.	Kg.	Box
8160425	0.24	20

Dimensions in mm

COMPONENTS

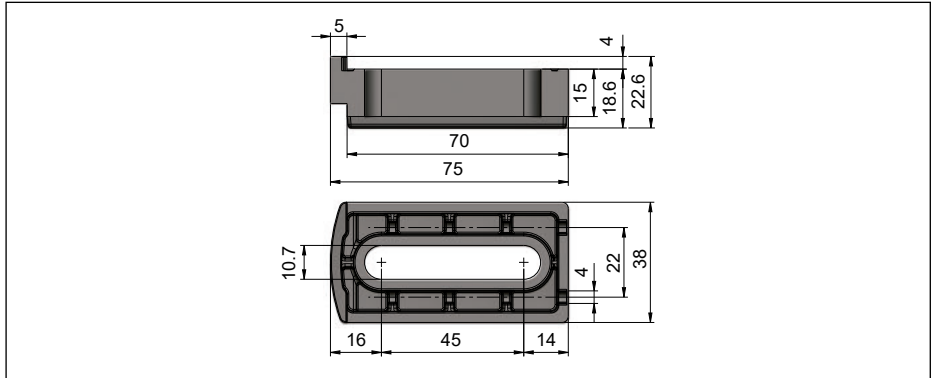


Specifications	
Material	Stainless steel

Ref.	Kg.	Box
8160410	0.15	20

Dimensions in mm

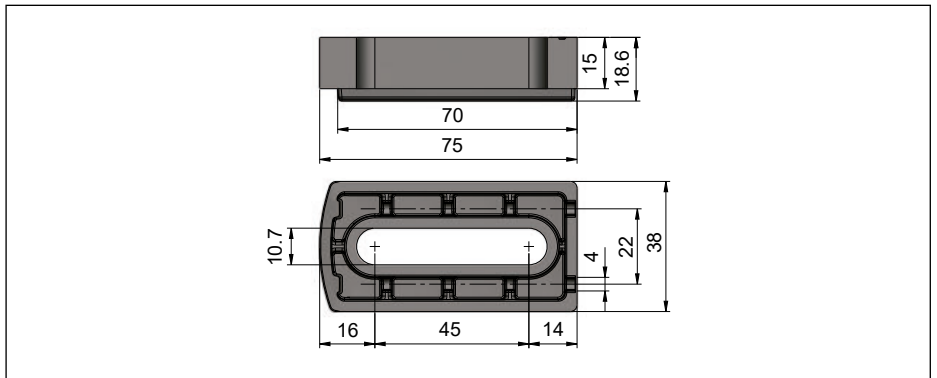




Specifications		
Material	Reinforced polyamide	
To use with brackets		
8110092NV	8110096NV	8110265
8110093NV	8110097NV	8110268
8110094NV	8110263	8110269
8110095NV	8110264	8110270

Ref.	Kg.	Box
★ 8190807	0.03	50

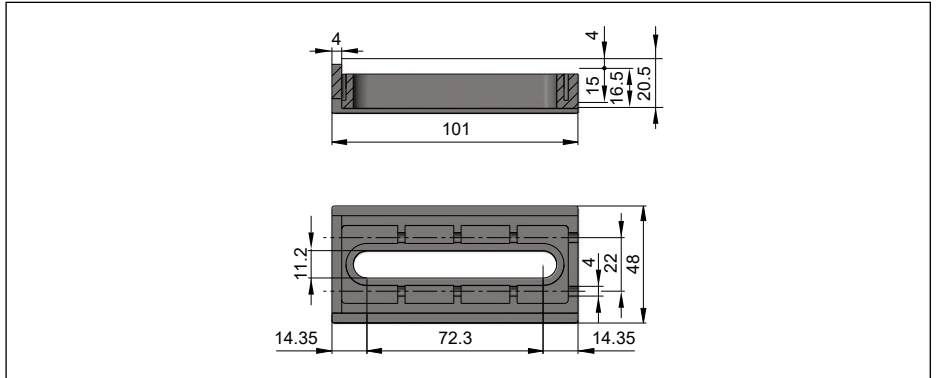
Dimensions in mm | ★ Best seller



Specifications		
Material	Reinforced polyamide	
To use with brackets		
8110030NV	8110035NV	8110277
8110031NV	8110272	8110278
8110032NV	8110273	8110012NV
8110033NV	8110274	8110016NV
8110034NV	8110276	

Ref.	Kg.	Box
★ 8190808	0.03	50

Dimensions in mm | ★ Best seller

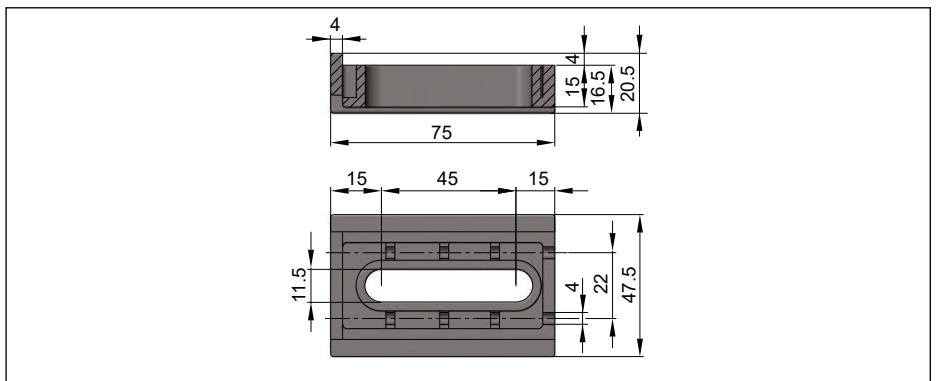


Specifications		
Material	Reinforced polyamide	
To use with brackets		
8110024*	8110152*	8110022
8110025*	8110156*	8110023
8110026*	8110157*	8110137
8110027*	8110158*	8110138
8110028*	8110018	8110139
8110029*	8110019	8110142
8110150*	8110020	8110143
8110151*	8110021	8110144

*preferred brackets

Ref.	Kg.	Box
8190810	0.06	25

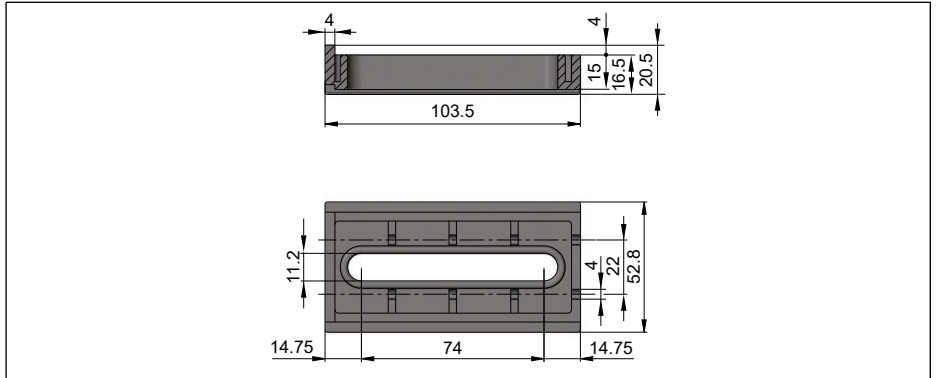
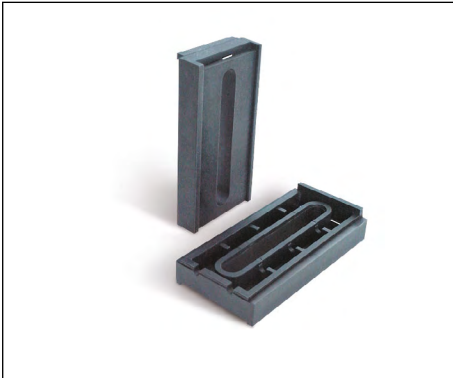
Dimensions in mm | Best seller



Specifications		
Material	Reinforced polyamide	
To use with brackets		
8110015		

Ref.	Kg.	Box
8190801	0.05	50

Dimensions in mm

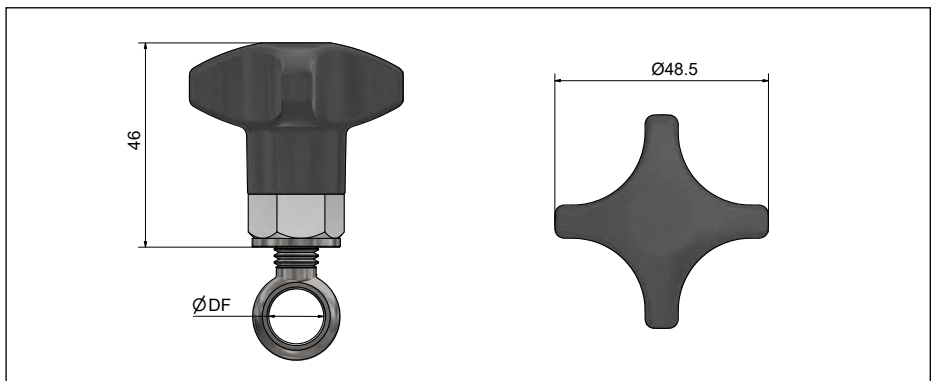


Specifications		
Material	Reinforced polyamide	
To use with brackets		
8115036*	8115055*	8115067
8115037*	8115056*	8115068
8115038*	8115160*	8115069
8115039*	8115161*	8115070
8115040*	8115163*	8115071
8115041*	8115175*	8115072
8115042*	8115176*	8115073
8115043*	8115178*	8115074
8115044*	8115057	8115075
8115045*	8115058	8115076
8115046*	8115059	8115185
8115047*	8115060	8115186
8115048*	8115061	8115187
8115049*	8115062	8115190
8115051*	8115063	8115191
8115052*	8115064	8115193
8115053*	8115065	
8115054*	8115066	

*preferred brackets

Ref.	Kg.	Box
8190815	0.06	25

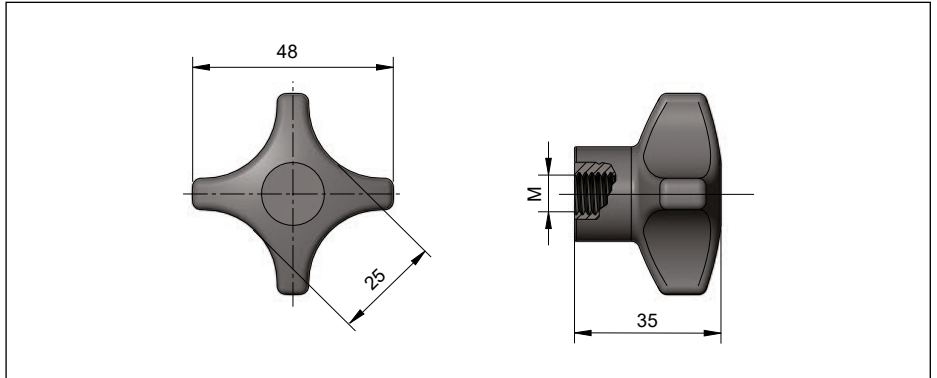
Dimensions in mm



Specifications	
Knob material	Reinforced polyamide
Bushing material	Nickel plated brass
Eyebolt material	Stainless steel
Washer material	Stainless steel
Specifications	
Knob	8120577
Washer (M10)	ARANDELA10
Eyebolt (M10)	Check right table

Ref.	DF	Kg.	Box
KIT KNOB-EYEBOLT12	12.5	0.09	25
KIT KNOB-EYEBOLT14	14.5	0.09	25
KIT KNOB-EYEBOLT16	16.5	0.08	25

Dimensions in mm | Best seller



Specifications

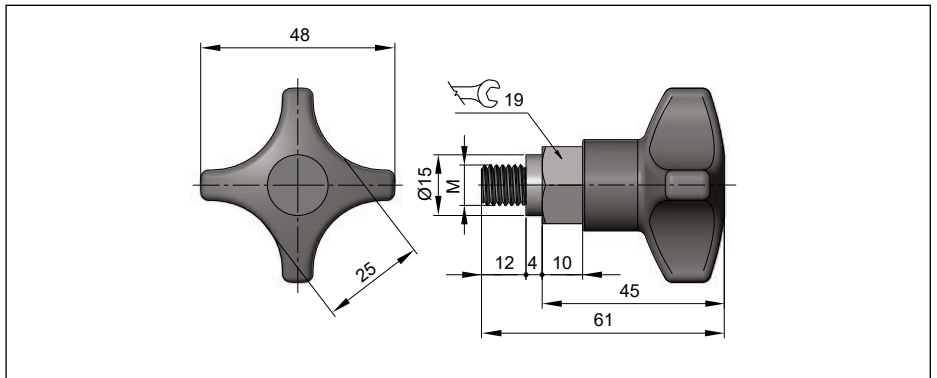
Knob material Reinforced polyamide

On demand options

KNOB with EYEBOLT and WASHER

Ref.	M	Kg.	Box
8120562	M8	0.02	75
8120563	M10	0.02	75
8120564	M12	0.02	75

Dimensions in mm



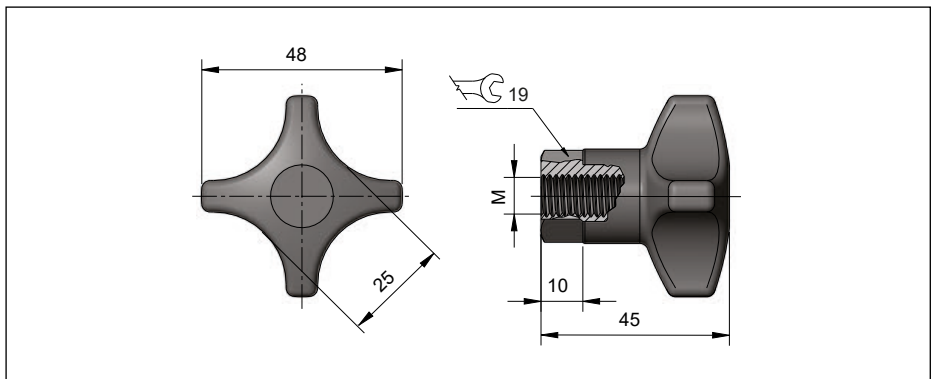
Specifications

Knob material Reinforced polyamide

Bushing material Nickel plated brass

Ref.	M	Kg.	Box
8120570	M8	0.1	60
8120571	M10	0.1	60

Dimensions in mm | Best seller



Specifications

Knob material Reinforced polyamide

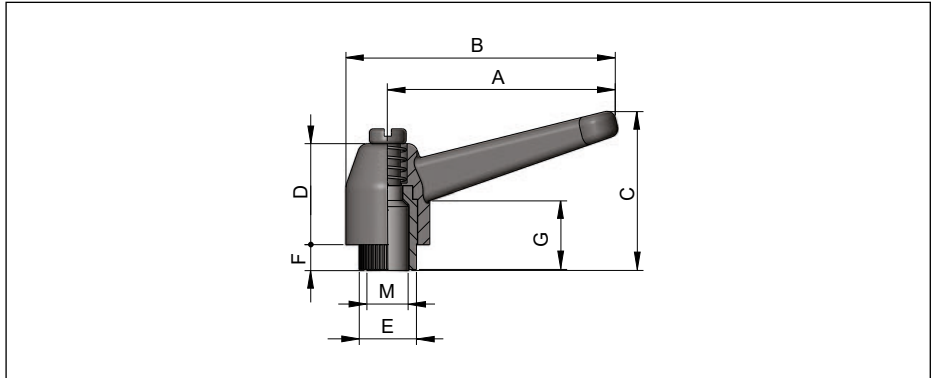
Bushing material Nickel plated brass

On demand options

KNOB with EYEBOLT and WASHER

Ref.	M	Kg.	Box
8120575	M6	0.09	75
8120576	M8	0.09	75
8120577	M10	0.08	75

Dimensions in mm | Best seller

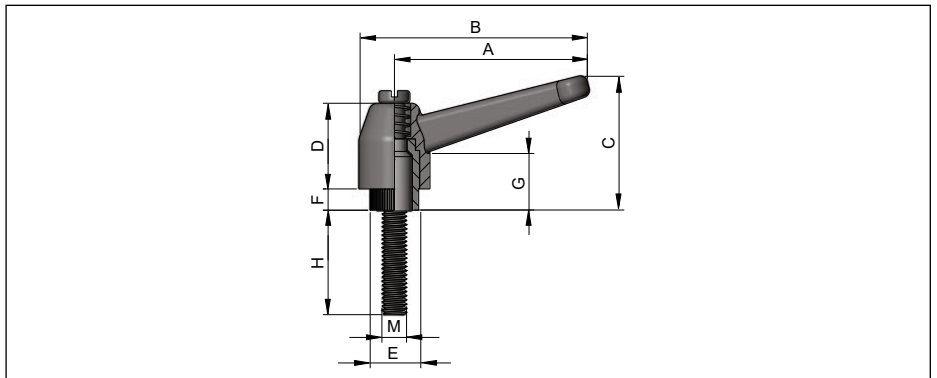


Specifications

Handle material	Reinforced polyamide
Bushing material	Zinc plated steel

Ref.	M	A	B	C	D	E	F	G	Kg.	Box
8120705	M6	43	50	35	21	12	6	13	0.02	200
8120706	M8	65	73	46	26.5	15	8	17	0.02	100
8120707	M10	83	93	57	33.5	19	10	22	0.02	50
8120708	M12	104	120	69	40	25	11	24	0.03	25

Dimensions in mm | Best seller

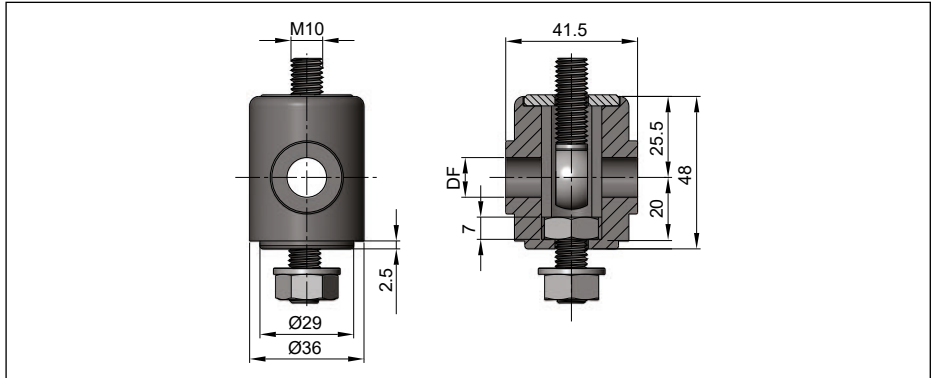


Specifications

Handle material	Reinforced polyamide
Bushing material	Zinc plated steel

Ref.	M	A	B	C	D	E	F	G	H	Kg.	Box
8120691	M6	43	50	35	21	12	6	13	25	0.08	200
8120697	M8	65	76	46	26.5	15	8	17	16	0.08	75
8120692	M8	65	76	46	26.5	15	8	17	30	0.08	75
8120696	M8	65	76	46	26.5	15	8	17	60	0.09	25
8120698	M10	83	93	57	33.5	19	10	22	25	0.07	50
8120693	M10	83	93	57	33.5	19	10	22	40	0.09	50
8120694	M12	104	120	69	40	25	11	24	60	0.1	25

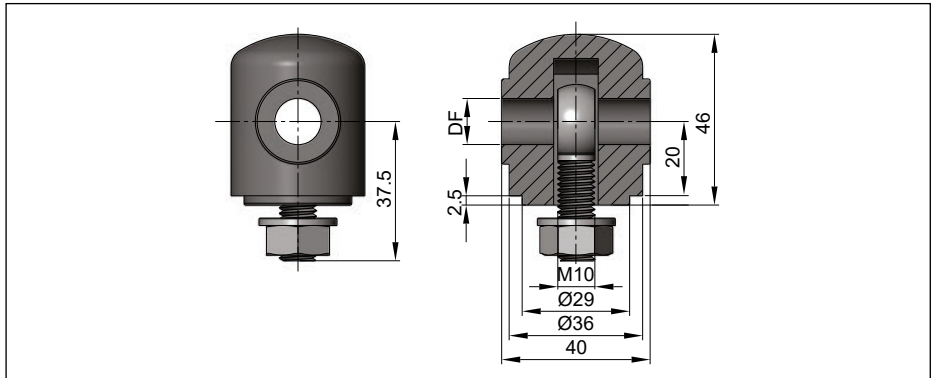
Dimensions in mm | Best seller



Specifications	
Head material	Reinforced polyamide
Eyebolt and fastener material	Stainless steel

Ref.	DF	Kg.	Box
★ 8120107	12.5	0.08	25
8120108	14.5	0.08	25
8120109	16.5	0.08	25

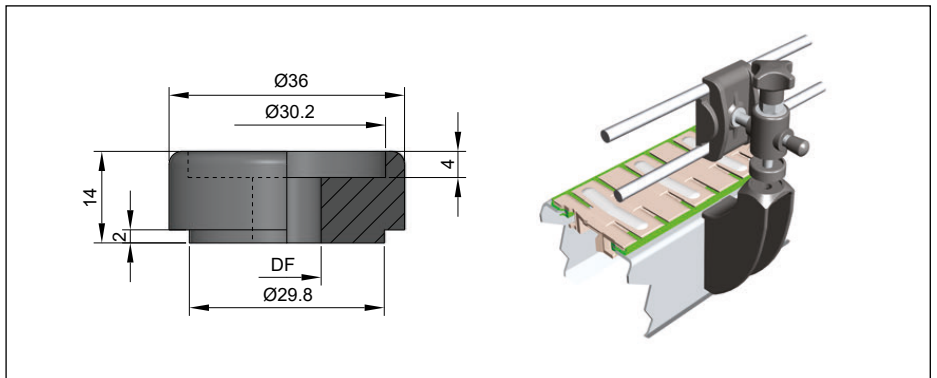
Dimensions in mm | ★ Best seller



Specifications	
Head material	Reinforced polyamide
Eyebolt and fastener material	Stainless steel

Ref.	DF	Kg.	Box
★ 8120101	12.5	0.08	25
8120102	14.5	0.08	25
8120103	16.5	0.08	25

Dimensions in mm | ★ Best seller



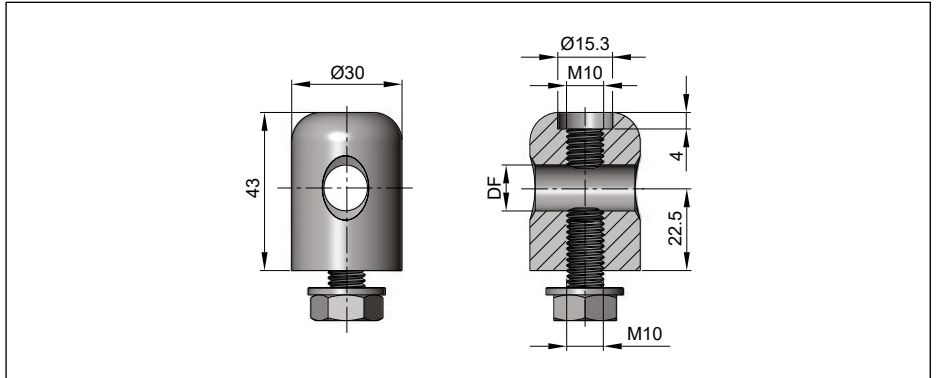
Specifications	
Spacer material	Polyethylene

Ref.	DF	Kg.	Box
8120085	10.5	0.01	200

Dimensions in mm

COMPONENTS



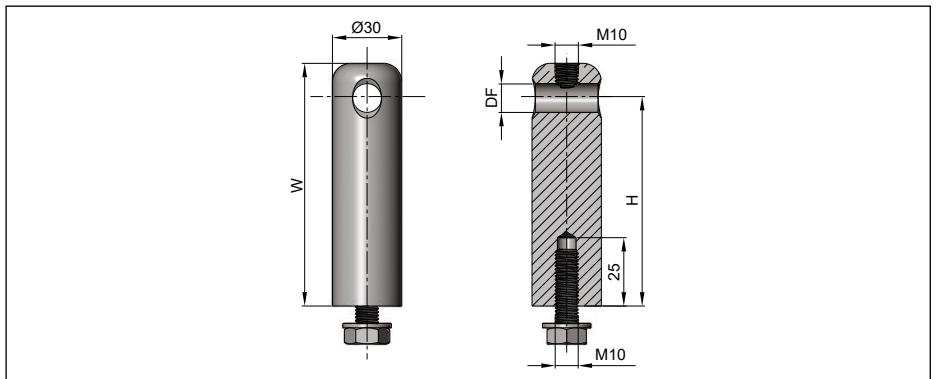


Specifications

Standard material	Stainless steel
Marked with * material	Nickel plated brass

Ref.	DF	Kg.	Box
8120122*	12.5	0.08	25
8120123*	14.5	0.08	25
8120124*	16.5	0.08	25
8120129	12.5	0.08	25
8120130	14.5	0.17	25
8120131	16.5	0.17	25

Dimensions in mm | Best seller

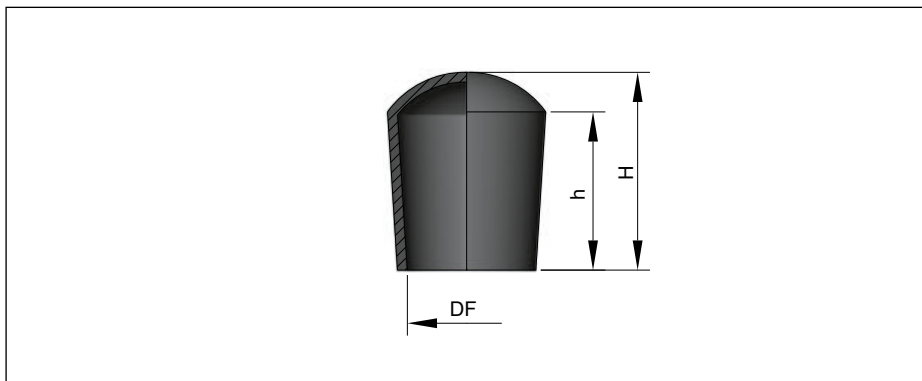


Specifications

Fastener and head material	Stainless steel
----------------------------	-----------------

Ref.	DF	H	W	Kg.	Box
8120301	12.5	40	55	0.28	20
8120302	12.5	60	75	0.38	20
8120303	12.5	90	105	0.55	20
8120304	12.5	130	145	0.77	20
8120307	14.5	40	56	0.28	20
8120308	14.5	60	76	0.38	20
8120309	14.5	90	106	0.55	20
8120310	14.5	130	146	0.77	20
8120315	16.5	40	57	0.28	20
8120316	16.5	60	77	0.38	20
8120317	16.5	90	107	0.55	20
8120318	16.5	130	147	0.77	20

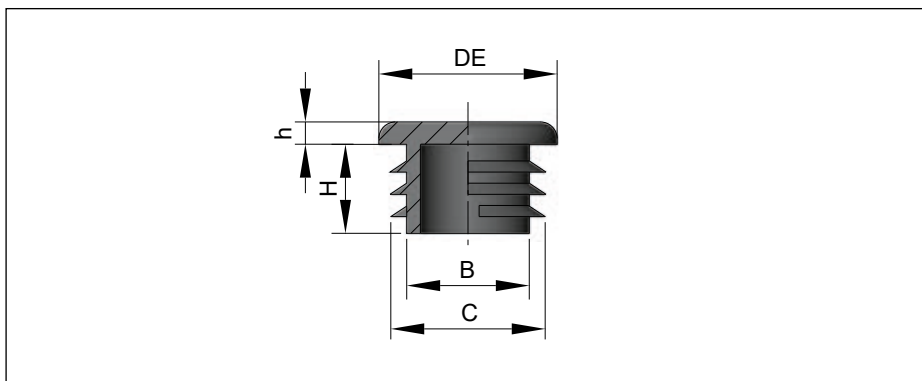
Dimensions in mm


Specifications

Material	Flexible PVC
Colour	Black

Ref.	DF	h	H	Kg.	Box
7640174	10	15	18	0.01	400
7640176	12	16	20	0.01	400
7640179	15	17	21	0.01	200
7640180	16	18	23	0.01	200
7640183	20	20	24.5	0.01	200

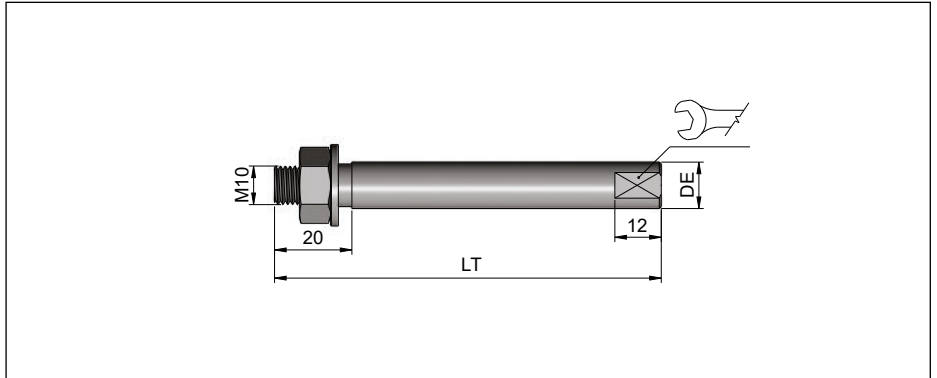
Rod not included | Dimensions in mm | Best seller


Specifications

Material	Polyethylene
Colour	Black

Ref.	Wall tube thk	DE	h	H	B	C	Kg.	Box
7640149	1 • 1.5	10	2	5.5	5.5	9	0.01	400
7640152	1 • 1.5	12	2	7	7	10	0.01	200
7640154	1 • 1.5	14	2	9	9	12.5	0.01	200
7640146	1 • 1.5	16	2	11	11	14	0.01	200
7640147	1 • 1.5 • 2	18	2	12	12	15.5	0.01	200
7640148	1 • 1.5 • 2	20	2	15	15	18	0.01	200
7640157	1 • 1.5 • 2	38	4	32	32	37	0.01	50
7640160	1.6 • 2	48	6	42	42	46	0.01	50
7640162	1 • 1.5 • 2	50	6	44	44	49	0.01	50
7640163	1.6 • 2	60	6	16	49	58	0.02	50

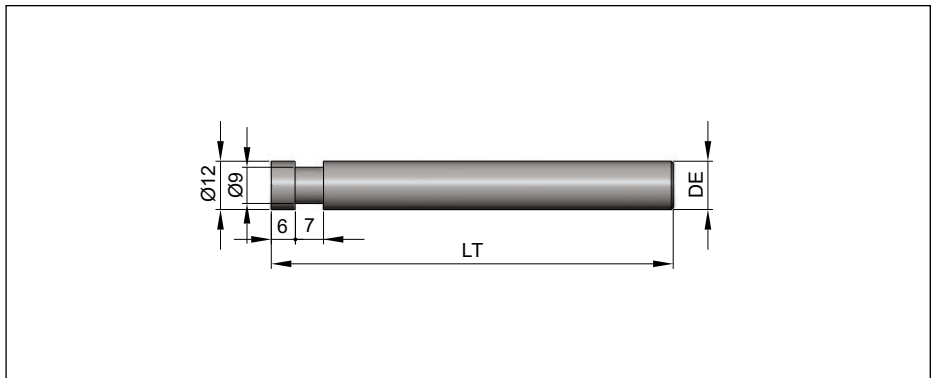
Dimensions in mm



Specifications		
Material	Stainless steel	
To use with clamps		
8210134	8210525	8210277
8210212	8210270	8210212NV
8210086		

Ref.	DE	Nut size	LT	Kg.	Box
8220301	12	10	100	0.09	75
8220321	12	10	118	0.11	50
8220322	12	10	150	0.13	50
8220302	14	12	100	0.12	75
8220303	15	12	100	0.14	50
8220304	16	14	100	0.16	50

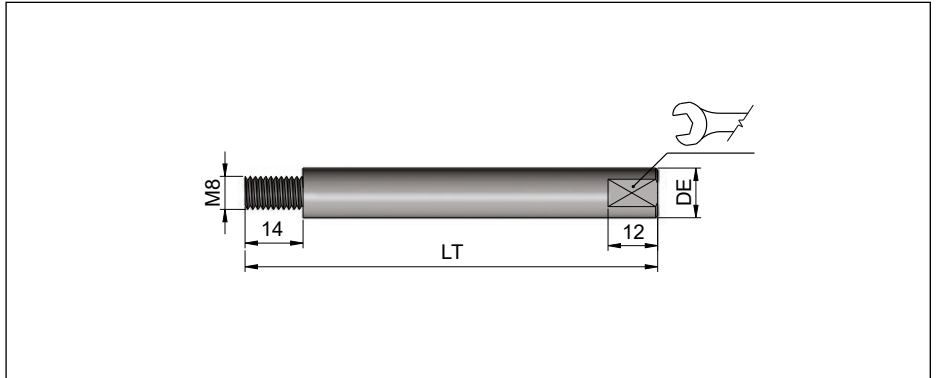
Dimensions in mm



Specifications		
Material	Stainless steel	
To use with clamps		
8210038	8210072	8210142
8210039	8210073	8210161
8210040	8210112	8210317
8210071	8210155	8210184

Ref.	DE	LT	Kg.	Box
★ 8220335	12	100	0.09	100
8220380	12	150	0.13	50
8220336	14	100	0.12	75
8220337	15	100	0.14	50
8220338	16	100	0.16	50

Dimensions in mm | ★ Best seller



Specifications

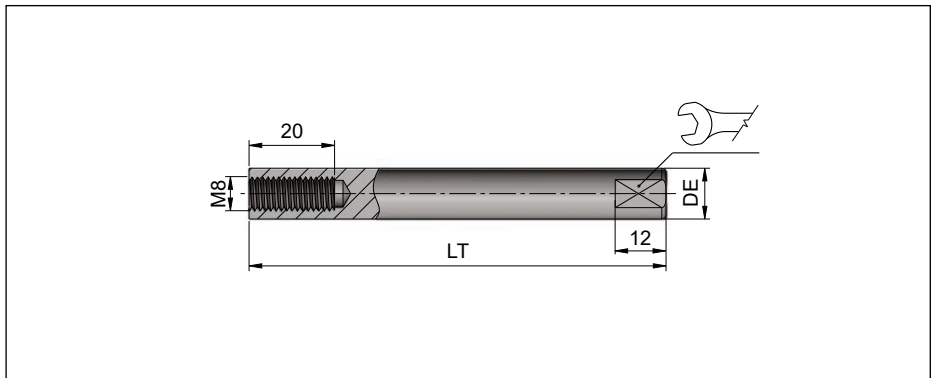
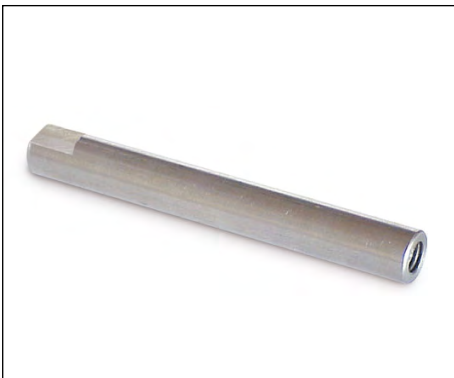
Material: Stainless steel

To use with clamps

8210014	8210051	8210138
8210015	8210052	8210157
8210016	8210121	8210109
8210050	8210151	8210095
8210086	8210087	8210088
8210261	8210450	

Ref.	DE	Nut size	LT	Kg.	Box
8222780	10	8	70	0.04	200
8222790	10	8	110	0.07	100
8222795	10	8	150	0.09	100
8220339	12	10	100	0.09	100
8220385	12	10	150	0.14	75
8220340	14	12	100	0.12	75
8220341	15	12	100	0.14	50
8220342	16	14	100	0.16	50

Dimensions in mm | Best seller



Specifications

Material: Stainless steel

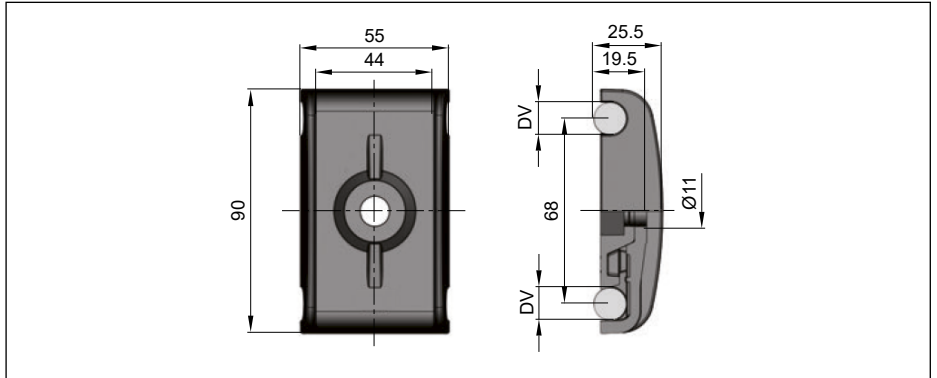
To use with clamps

8210026	8210075	8210146
8210027	8210076	8210165
8210028	8210125	8210097
8210074	8210129	8210239

Ref.	DE	Nut size	LT	Kg.	Box
8220343	12	10	100	0.09	100
8220344	14	12	100	0.12	75
8220345	15	12	100	0.14	50
8220346	16	14	100	0.16	50

Dimensions in mm



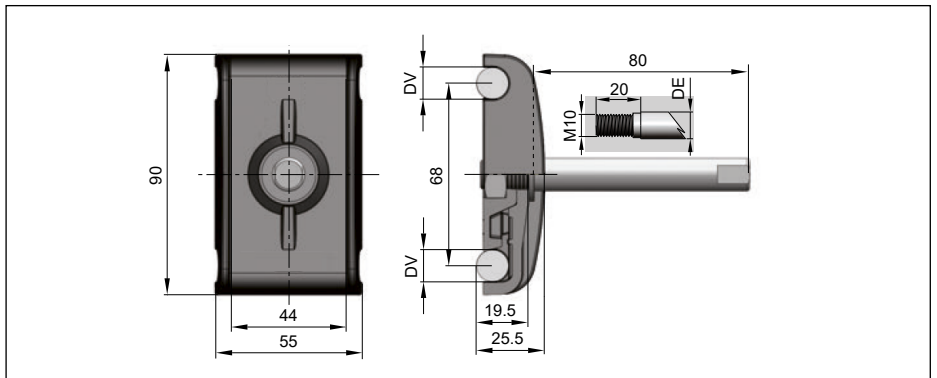


Specifications

Material Reinforced polyamide

Ref.	DV	DE	L	Kg.	Box
8210212NV	12	-	-	0.05	25

Dimensions in mm | Best seller

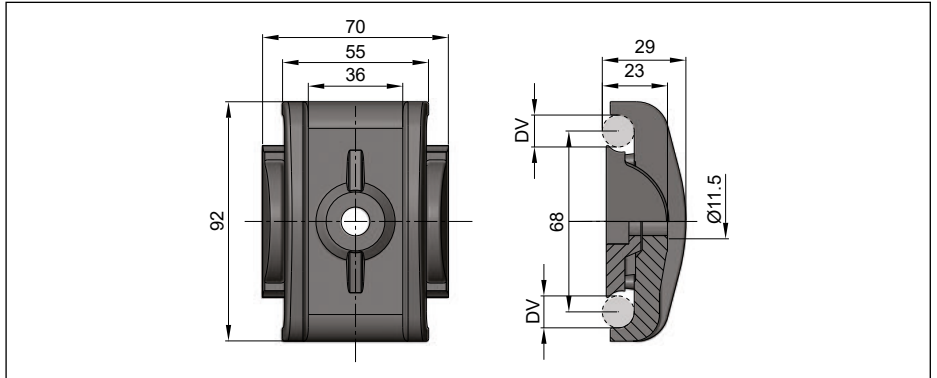
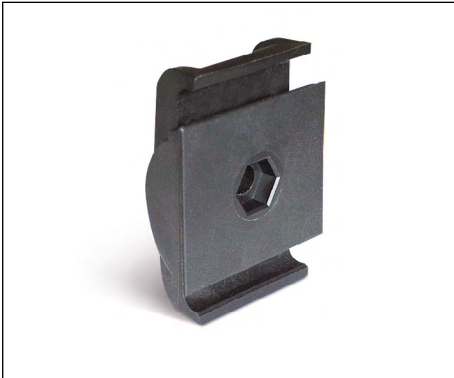


Specifications

Clamp material Reinforced polyamide
Rod, washer and nut material Stainless steel

Ref.	DV	DE	L	Kg.	Box
8240211NV	12	12	-	0.14	25
8240214NV	12	14	-	0.16	25
8240215NV	12	16	-	0.19	25

Dimensions in mm | Best seller



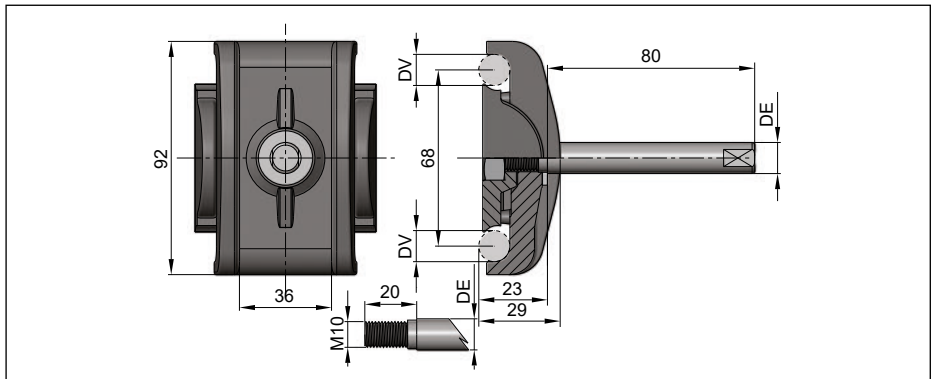
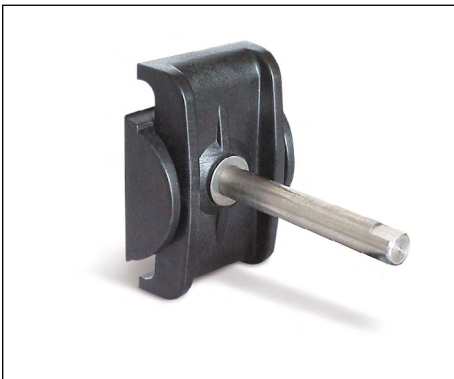
Specifications

Material Reinforced polyamide

Ref.	DV	DE	L	Kg.	Box
8210212	12	-	-	0.11	25

Dimensions in mm

COMPONENTS



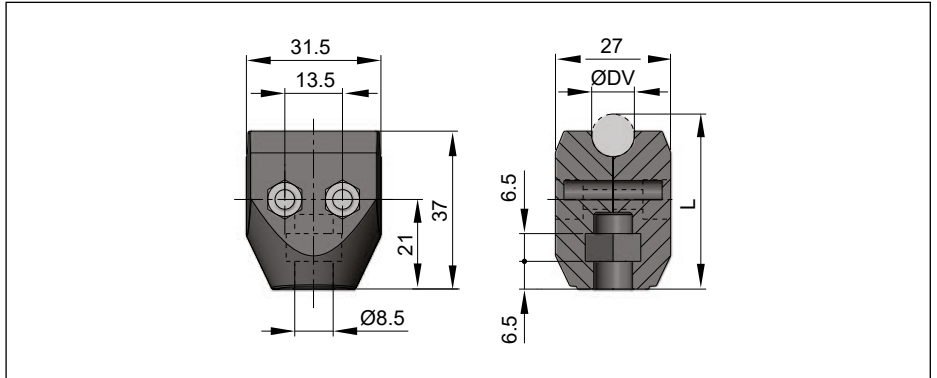
Specifications

Bracket material Reinforced polyamide
Rod, washer and nut material Stainless steel

Ref.	DV	DE	L	Kg.	Box
8240211	12	12	-	0.2	25
8240214	12	14	-	0.22	25
8240215	12	16	-	0.25	25

Dimensions in mm

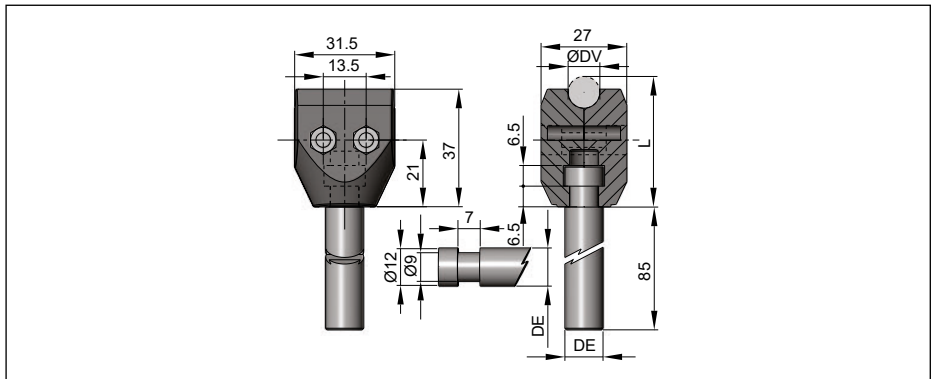




Specifications	
Clamp material	Reinforced polyamide
Bolts and nuts	Stainless steel

Ref.	DV	DE	L	Kg.	Box
8210038	8	-	40	0.03	100
8210039	10	-	41	0.04	100
⊕ 8210040	12	-	42	0.04	100
8210317	14	-	42	0.04	100

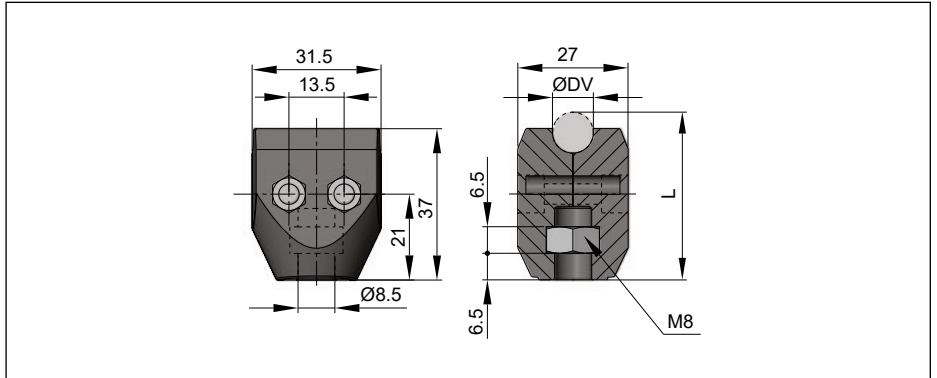
Dimensions in mm | ⊕ Best seller



Specifications	
Clamp material	Reinforced polyamide
Fastener and rod material	Stainless steel

Ref.	DV	DE	L	Kg.	Box
8240041	8	12	40	0.14	50
8240042	8	14	40	0.17	50
8240043	8	16	40	0.2	50
8240044	10	12	41	0.14	50
8240045	10	14	41	0.17	50
8240046	10	16	41	0.2	50
⊕ 8240047	12	12	42	0.14	50
8240048	12	14	42	0.17	50
8240049	12	16	42	0.2	50
8240231	14	12	42	0.14	50
8240232	14	14	42	0.17	50
8240233	14	16	42	0.20	50

Dimensions in mm | ⊕ Best seller

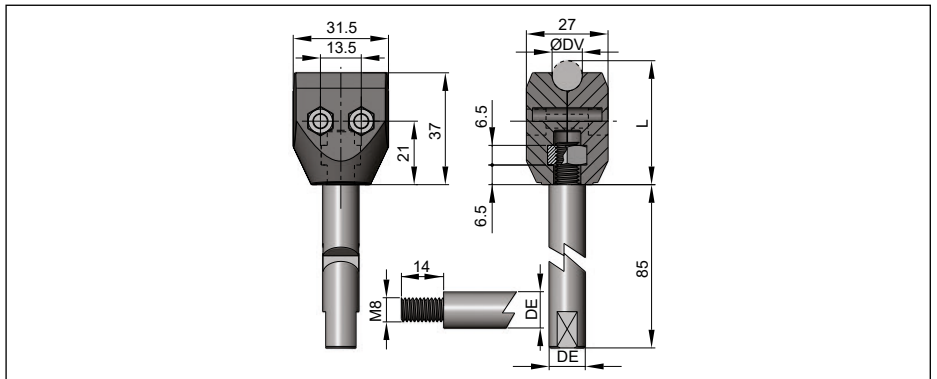


Specifications	
Clamp material	Reinforced polyamide
Bolts and nuts	Stainless steel

Ref.	DV	DE	L	Kg.	Box
8210014	8	-	40	0.04	100
8210015	10	-	41	0.04	100
8210016	12	-	42	0.04	100
8210095	14	-	42	0.04	100

Dimensions in mm

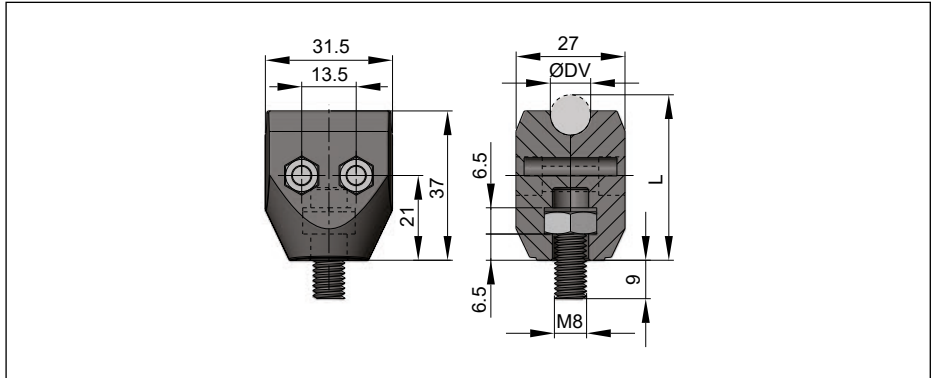
COMPONENTS



Specifications	
Clamp material	Reinforced polyamide
Fastener and rod material	Stainless steel

Ref.	DV	DE	L	Kg.	Box
8240017	8	12	40	0.11	50
8240018	8	14	40	0.14	50
8240019	8	16	40	0.17	50
8240020	10	12	41	0.11	50
8240021	10	14	41	0.14	50
8240022	10	16	41	0.17	50
8240023	12	12	42	0.11	50
8240024	12	14	42	0.14	50
8240025	12	16	42	0.17	50
8240088	14	12	42	0.11	50
8240089	14	14	42	0.14	50
8240090	14	16	42	0.17	50

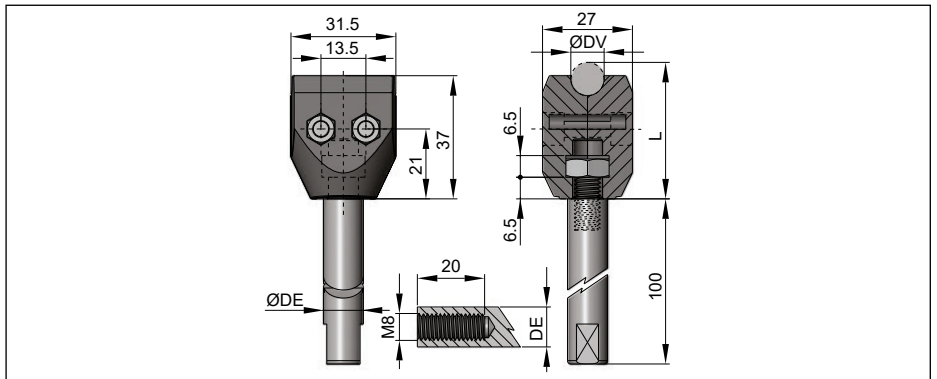
Dimensions in mm



Specifications	
Clamp material	Reinforced polyamide
Bolts and nuts	Stainless steel

Ref.	DV	DE	L	Kg.	Box
8210026	8	-	40	0.03	100
8210027	10	-	41	0.04	100
8210028	12	-	42	0.04	100
8210097	14	-	42	0.04	100

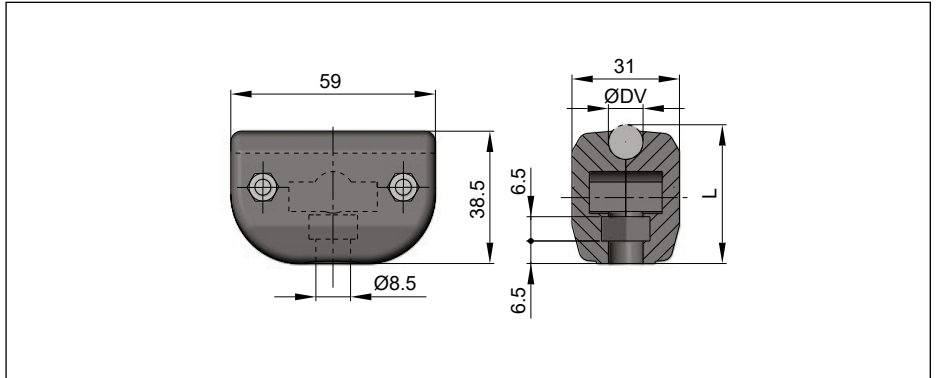
Dimensions in mm



Specifications	
Clamp material	Reinforced polyamide
Fastener and rod material	Stainless steel

Ref.	DV	DE	L	Kg.	Box
8240029	8	12	40	0.11	50
8240030	8	14	40	0.14	50
8240031	8	16	40	0.17	50
8240032	10	12	41	0.11	50
8240033	10	14	41	0.14	50
8240034	10	16	41	0.17	50
8240035	12	12	42	0.11	50
8240036	12	14	42	0.14	50
8240037	12	16	42	0.17	50
8240091	14	12	42	0.11	50
8240092	14	14	42	0.14	50
8240093	14	16	42	0.17	50

Dimensions in mm

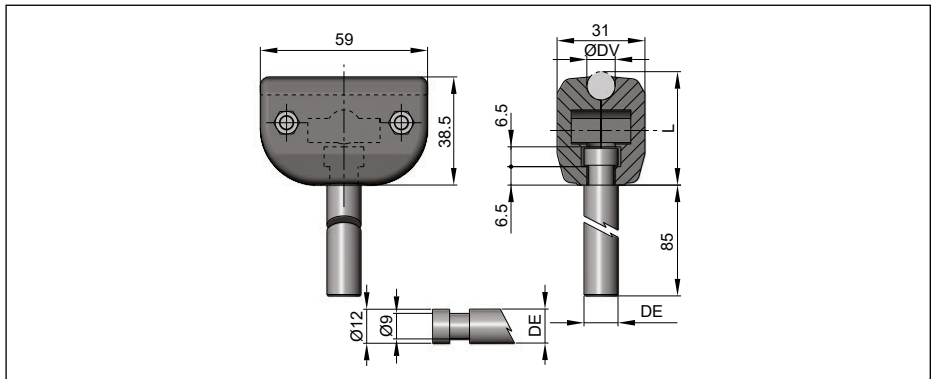


Specifications	
Clamp material	Reinforced polyamide
Bolts and nuts	Stainless steel

Ref.	DV	DE	L	Kg.	Box
8210071	8	-	41	0.07	50
8210072	10	-	42	0.07	50
8210073	12	-	43	0.07	50
8210184	14	-	44	0.07	50

Dimensions in mm

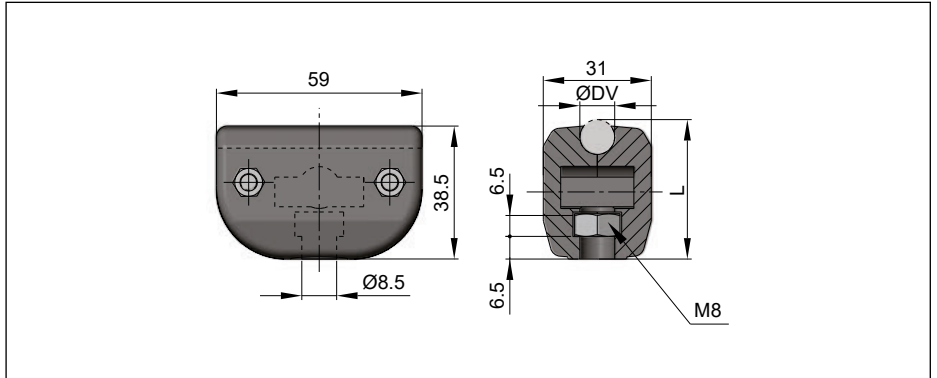
COMPONENTS



Specifications	
Clamp material	Reinforced polyamide
Fastener and rod material	Stainless steel

Ref.	DV	DE	L	Kg.	Box
8240062	8	12	41	0.15	30
8240063	8	14	41	0.18	30
8240064	8	16	41	0.21	30
8240065	10	12	42	0.15	30
8240066	10	14	42	0.18	30
8240067	10	16	42	0.21	30
8240068	12	12	43	0.15	30
8240069	12	14	43	0.18	30
8240070	12	16	43	0.21	30
8240191	14	12	43	0.15	30
8240192	14	14	43	0.18	30
8240193	14	16	43	0.21	30

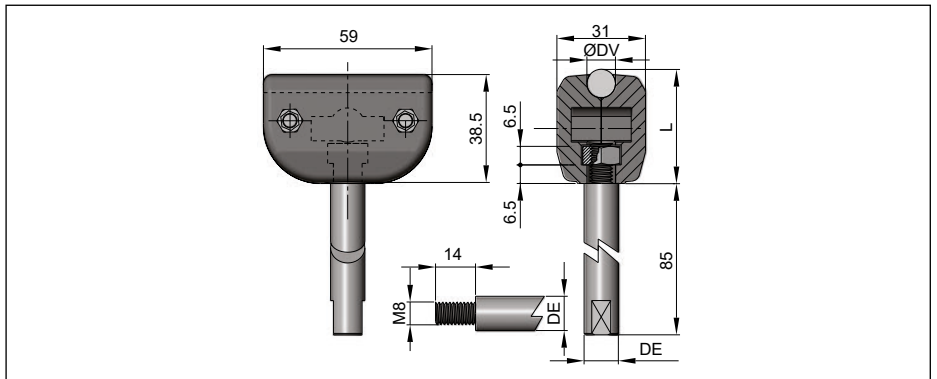
Dimensions in mm



Specifications	
Clamp material	Reinforced polyamide
Bolts and nuts	Stainless steel

Ref.	DV	DE	L	Kg.	Box
8210050	8	-	41	0.07	50
8210051	10	-	42	0.07	50
8210052	12	-	43	0.07	50
8210109	14	-	43	0.07	50

Dimensions in mm

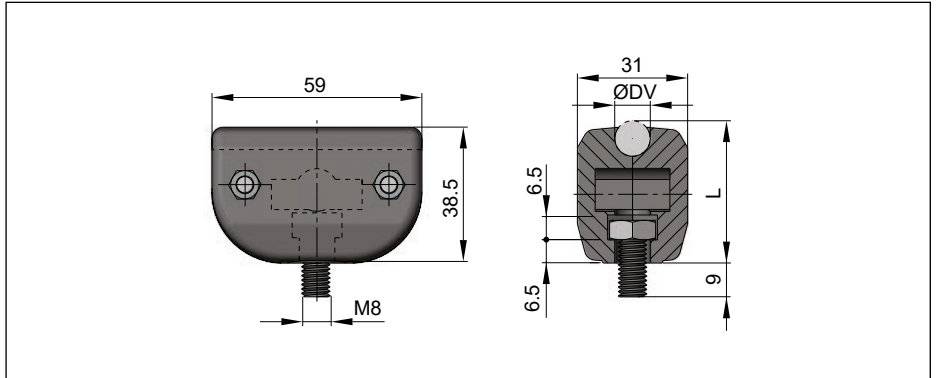


Specifications	
Clamp material	Reinforced polyamide
Fastener and rod material	Stainless steel

Ref.	DV	DE	L	Kg.	Box
8240053	8	12	41	0.15	30
8240054	8	14	41	0.18	30
8240055	8	16	41	0.21	30
8240056	10	12	42	0.15	30
8240057	10	14	42	0.18	30
8240058	10	16	42	0.21	30
8240059	12	12	43	0.15	30
8240060	12	14	43	0.18	30
8240061	12	16	43	0.21	30
8240170	14	12	43	0.15	30
8240171	14	14	43	0.18	30
8240172	14	16	43	0.21	30

Dimensions in mm

Single clamp

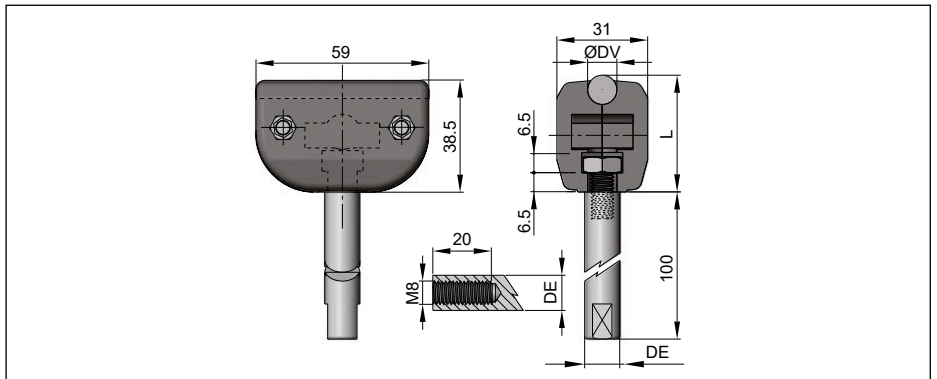


Specifications	
Clamp material	Reinforced polyamide
Bolts and nuts	Stainless steel

Ref.	DV	DE	L	Kg.	Box
8210074	8	-	41	0.07	50
8210075	10	-	42	0.07	50
8210076	12	-	43	0.07	50
8210239	14	-	43	0.07	50

Dimensions in mm

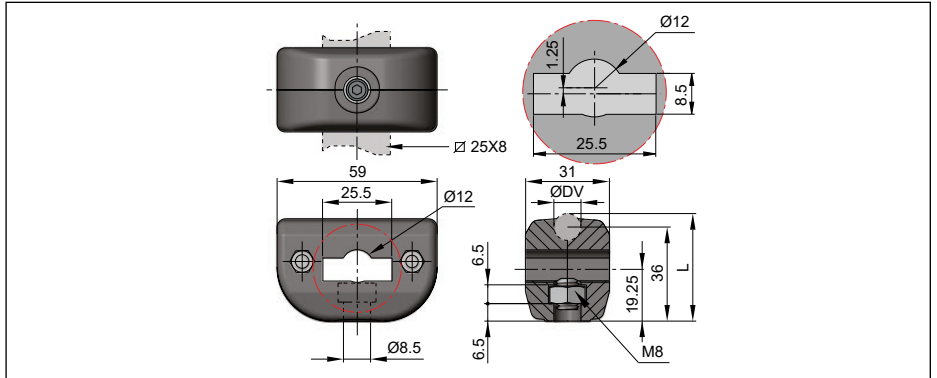
COMPONENTS



Specifications	
Clamp material	Reinforced polyamide
Fastener and rod material	Stainless steel

Ref.	DV	DE	L	Kg.	Box
8240077	8	12	41	0.15	30
8240078	8	14	41	0.18	30
8240079	8	16	41	0.21	30
8240080	10	12	42	0.15	30
8240081	10	14	42	0.18	30
8240082	10	16	42	0.21	30
8240083	12	12	43	0.15	30
8240084	12	14	43	0.18	30
8240085	12	16	43	0.21	30
8240251	14	12	43	0.15	30
8240252	14	14	43	0.18	30
8240253	14	16	43	0.21	30

Dimensions in mm

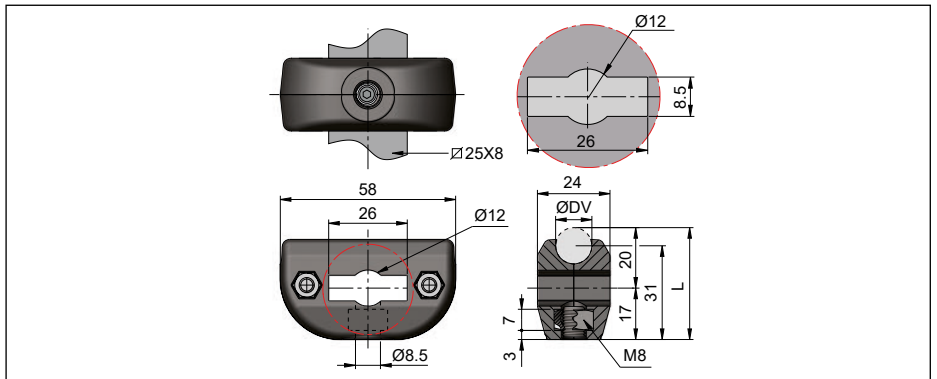


Specifications

Clamp material	Reinforced polyamide
Bolts and nuts	Stainless steel

Ref.	DV	DE	L	Kg.	Box
8210086	8	-	41	0.06	50
8210087	10	-	42	0.06	50
8210088	12	-	43	0.06	50
8210261	14	-	43	0.06	50

Dimensions in mm

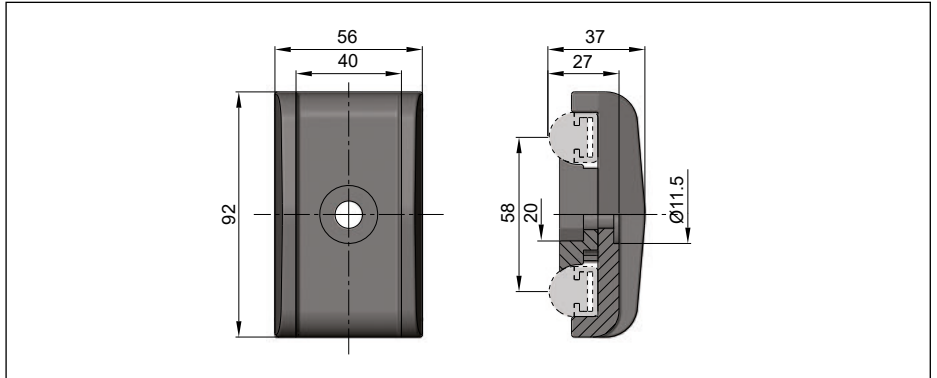


Specifications

Clamp material	Reinforced polyamide
Bolts and nuts	Stainless steel

Ref.	DV	DE	L	Kg.	Box
8210450	12	-	37	0.05	80
8210456	14	-	38	0.05	80

Dimensions in mm | Best seller



Specifications

Material Reinforced polyamide

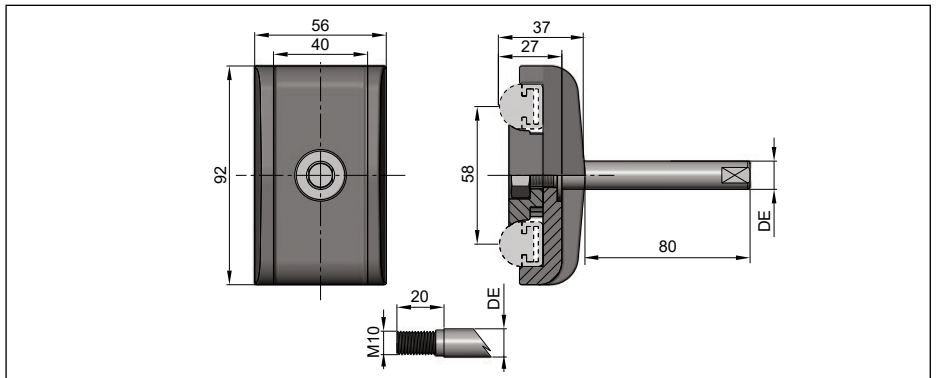
To use with profiles

P#0350	PSS#0350L3	PZN#0350L3
PSS#0350L2	PZN#0350L2	

Ref.	DE	Kg.	Box
8210525	-	0.1	25

Dimensions in mm

COMPONENTS



Specifications

Clamp material Reinforced polyamide

Rod, washer and nut material Stainless steel

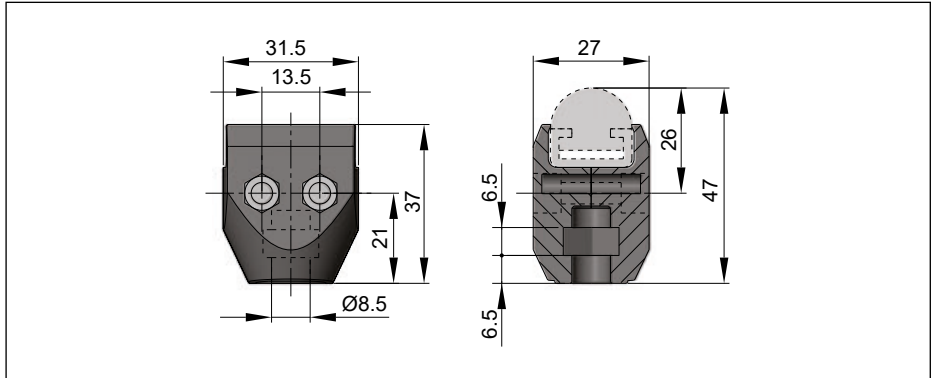
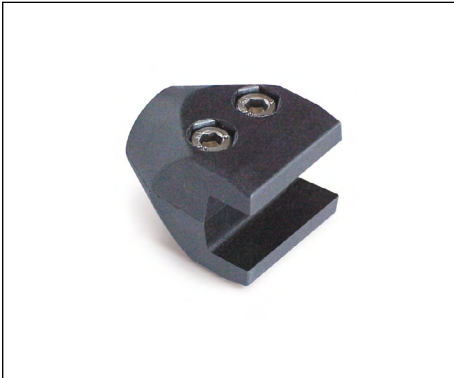
To use with profiles

P#0350	PSS#0350L3	PZN#0350L3
PSS#0350L2	PZN#0350L2	

Ref.	DE	Kg.	Box
8240118	12	0.18	25
8240119	14	0.2	25
8240120	16	0.21	25

Dimensions in mm

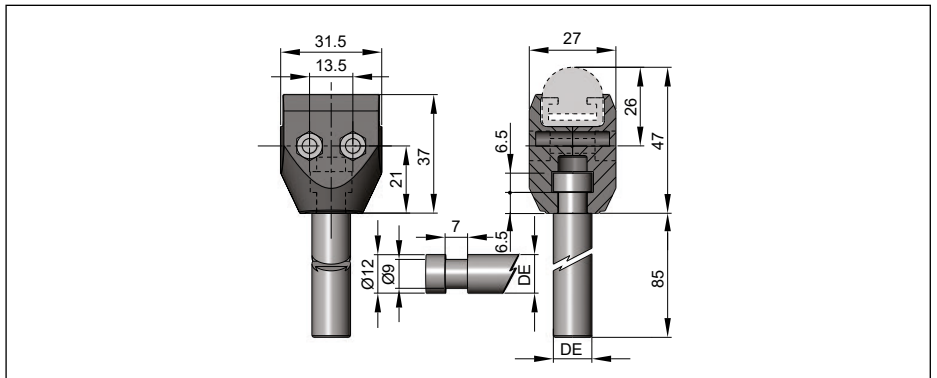




Specifications		
Clamp material	Reinforced polyamide	
Bolts and nuts	Stainless steel	
To use with profiles		
P#0350	PSS#0350L3	PZN#0350L3
PSS#0350L2	PZN#0350L2	

Ref.	DE	Kg.	Box
8210112	-	0.03	100

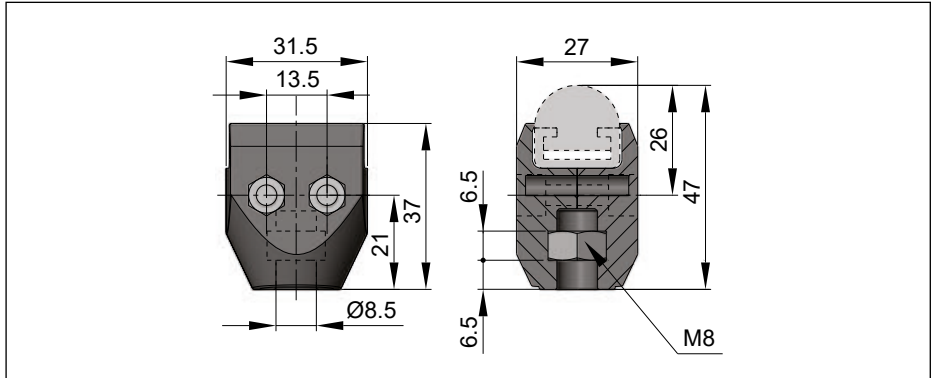
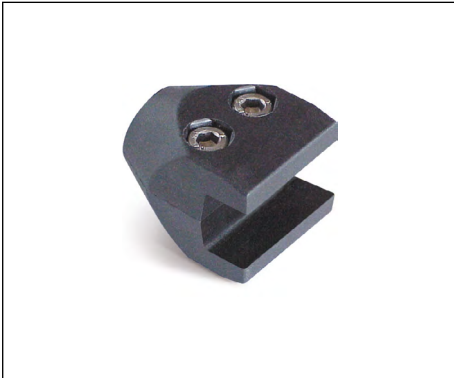
Dimensions in mm



Specifications		
Clamp material	Reinforced polyamide	
Fastener and rod material	Stainless steel	
To use with profiles		
P#0350	PSS#0350L3	PZN#0350L3
PSS#0350L2	PZN#0350L2	

Ref.	DE	Kg.	Box
8240114	12	0.11	50
8240115	14	0.13	50
8240116	16	0.15	50

Dimensions in mm

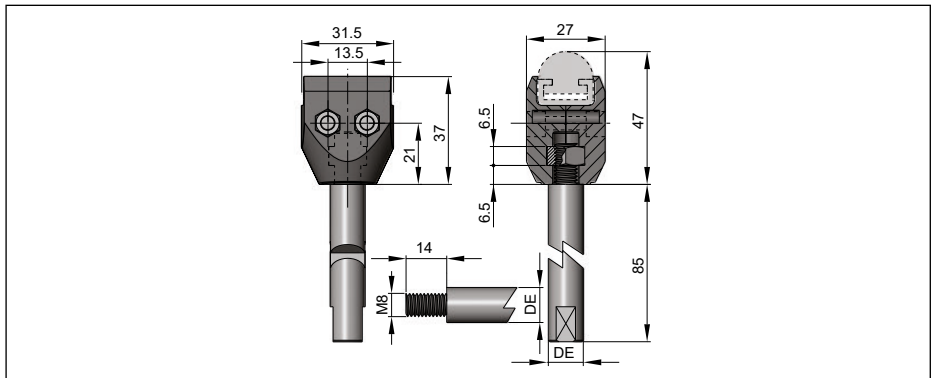


Specifications		
Clamp material	Reinforced polyamide	
Bolts and nuts	Stainless steel	
To use with profiles		
P#0350	PSS#0350L3	PZN#0350L3
PSS#0350L2	PZN#0350L2	

Ref.	DE	Kg.	Box
8210121	-	0.03	100

Dimensions in mm

COMPONENTS

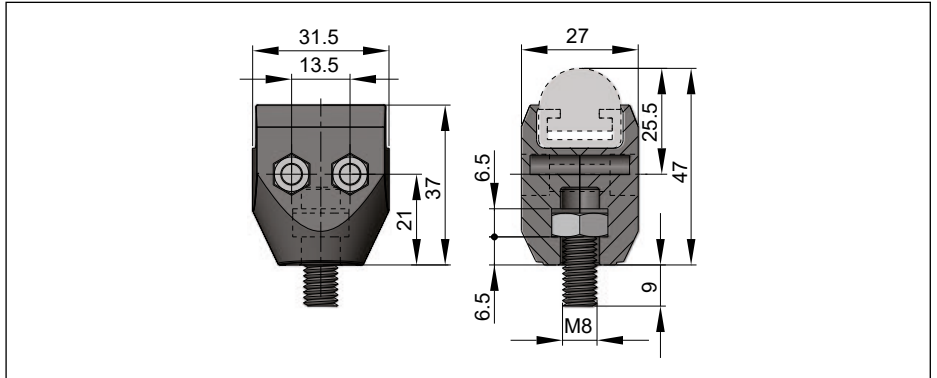


Specifications		
Clamp material	Reinforced polyamide	
Fastener and rod material	Stainless steel	
To use with profiles		
P#0350	PSS#0350L3	PZN#0350L3
PSS#0350L2	PZN#0350L2	

Ref.	DE	Kg.	Box
8240122	12	0.1	50
8240123	14	0.1	50
8240124	16	0.11	50

Dimensions in mm

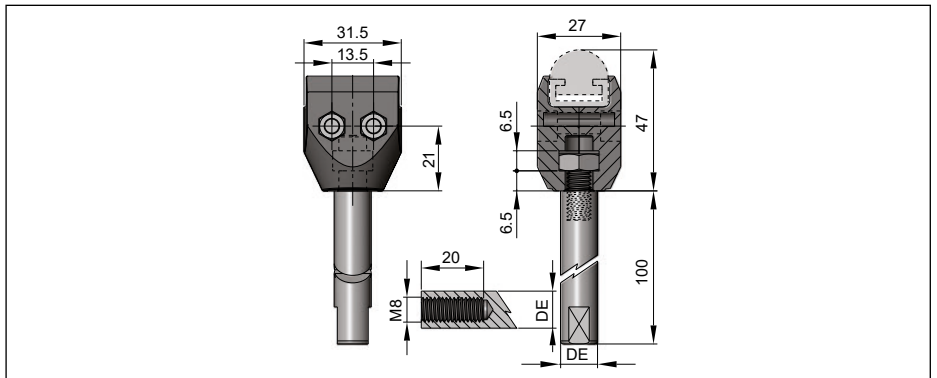




Specifications		
Clamp material	Reinforced polyamide	
Bolts and nuts	Stainless steel	
To use with profiles		
P#0350	PSS#0350L3	PZN#0350L3
PSS#0350L2	PZN#0350L2	

Ref.	DE	Kg.	Box
8210125	-	0.03	100

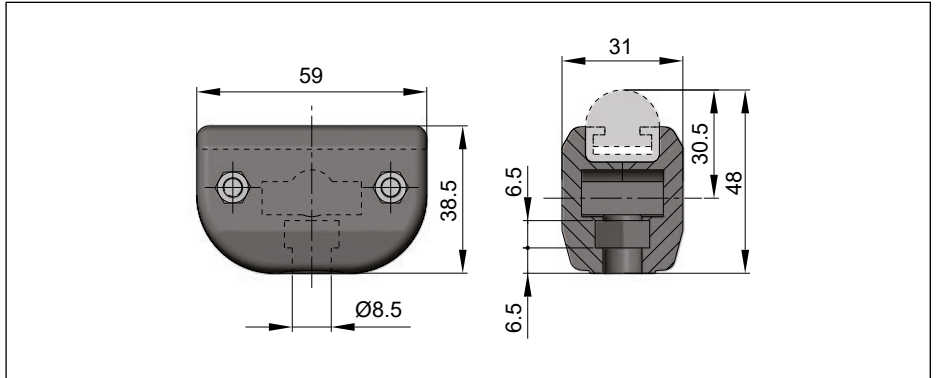
Dimensions in mm



Specifications		
Clamp material	Reinforced polyamide	
Fastener and rod material	Stainless steel	
To use with profiles		
P#0350	PSS#0350L3	PZN#0350L3
PSS#0350L2	PZN#0350L2	

Ref.	DE	Kg.	Box
8240126	12	0.1	50
8240127	14	0.1	50
8240128	16	0.11	50

Dimensions in mm



Specifications

Clamp material Reinforced polyamide
Bolts and nuts Stainless steel

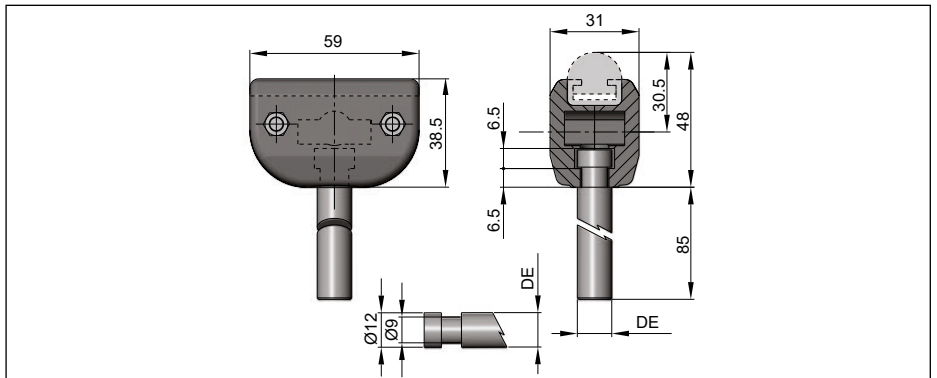
To use with profiles

P#0350 PSS#0350L3 PZN#0350L3
PSS#0350L2 PZN#0350L2

Ref.	DE	Kg.	Box
8210155	-	0.06	50

Dimensions in mm

COMPONENTS



Specifications

Clamp material Reinforced polyamide
Fastener and rod material Stainless steel

To use with profiles

P#0350 PSS#0350L3 PZN#0350L3
PSS#0350L2 PZN#0350L2

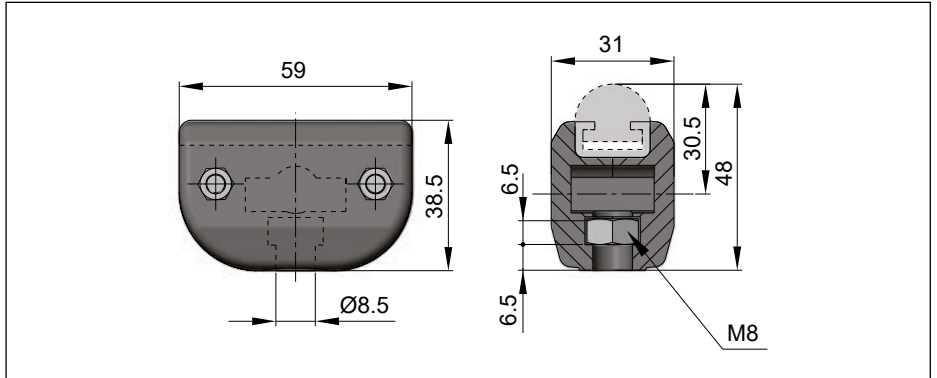
Related products

Guides p. 165

Ref.	DE	Kg.	Box
8240156	12	0.14	30
8240173	14	0.14	30
8240174	16	0.15	30

Dimensions in mm

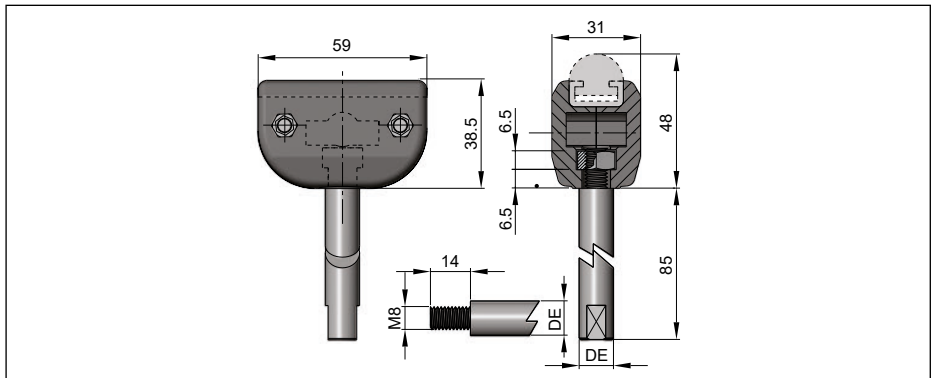




Specifications		
Clamp material	Reinforced polyamide	
Bolts and nuts	Stainless steel	
To use with profiles		
P#0350	PSS#0350L3	PZN#0350L3
PSS#0350L2	PZN#0350L2	

Ref.	DE	Kg.	Box
8210151	-	0.06	50

Dimensions in mm

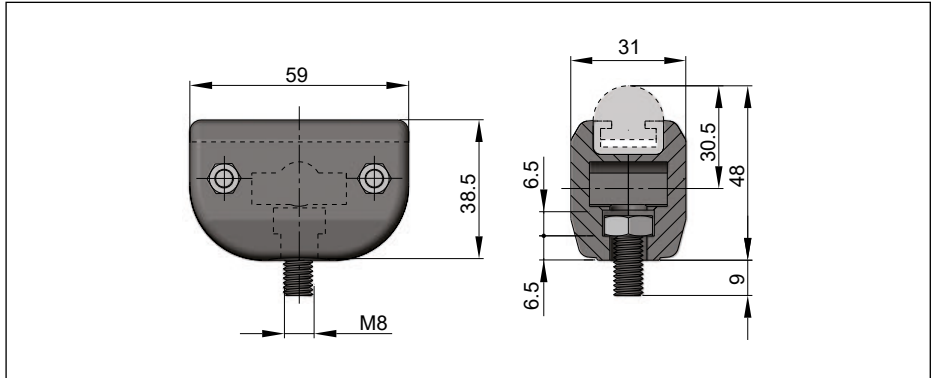


Specifications		
Clamp material	Reinforced polyamide	
Fastener and rod material	Stainless steel	
To use with profiles		
P#0350	PSS#0350L3	PZN#0350L3
PSS#0350L2	PZN#0350L2	

Ref.	DE	Kg.	Box
8240152	12	0.14	30
8240153	14	0.14	30
8240154	16	0.15	30

Dimensions in mm

Related products	
Guides	p. 165

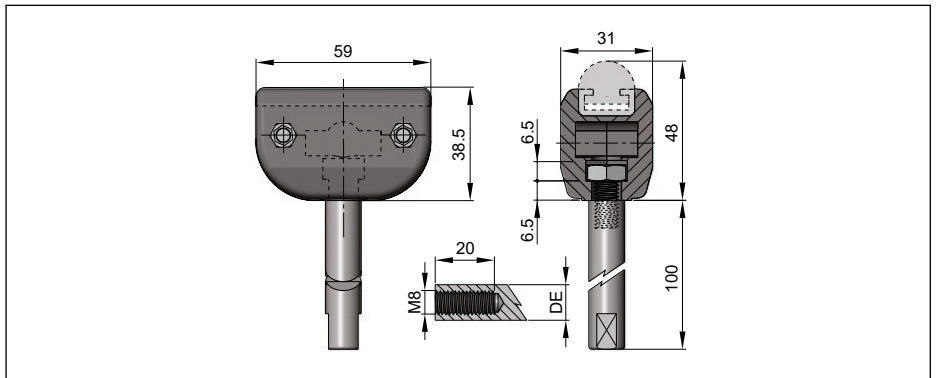


Specifications		
Clamp material	Reinforced polyamide	
Bolts and nuts	Stainless steel	
To use with profiles		
P#0350	PSS#0350L3	PZN#0350L3
PSS#0350L2	PZN#0350L2	

Ref.	DE	Kg.	Box
8210129	-	0.06	50

Dimensions in mm

COMPONENTS

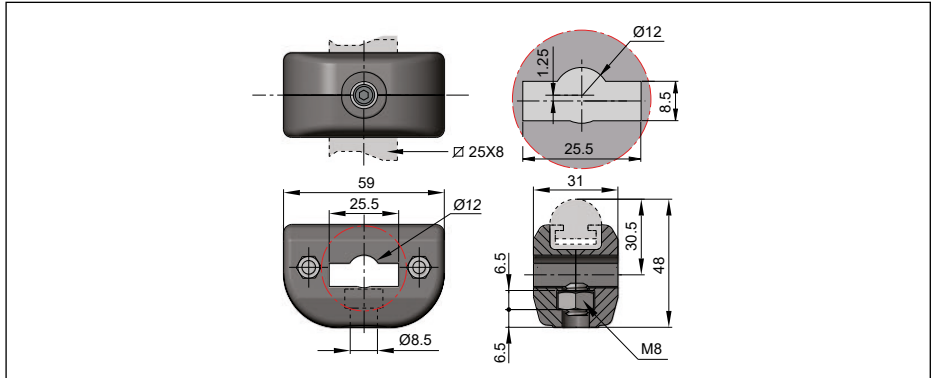


Specifications		
Clamp material	Reinforced polyamide	
Fastener and rod material	Stainless steel	
To use with profiles		
P#0350	PSS#0350L3	PZN#0350L3
PSS#0350L2	PZN#0350L2	

Ref.	DE	Kg.	Box
8240130	12	0.14	30
8240131	14	0.14	30
8240132	16	0.13	30

Dimensions in mm

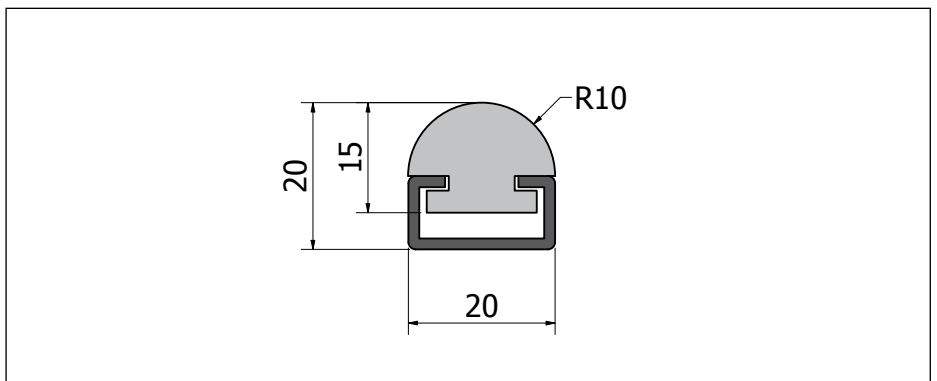
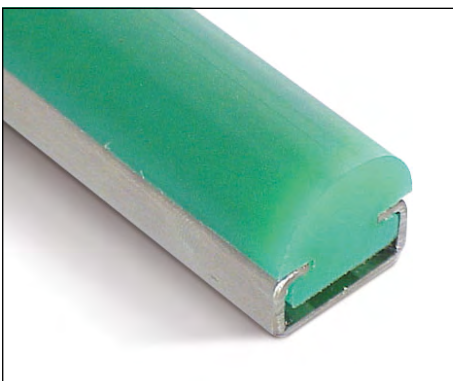




Specifications		
Clamp material	Reinforced polyamide	
Bolts and nuts	Stainless steel	
To use with profiles		
P#0350	PSS#0350L3	PZN#0350L3
PSS#0350L2	PZN#0350L2	

Ref.	DE	Kg.	Box
8210133	-	0.06	50

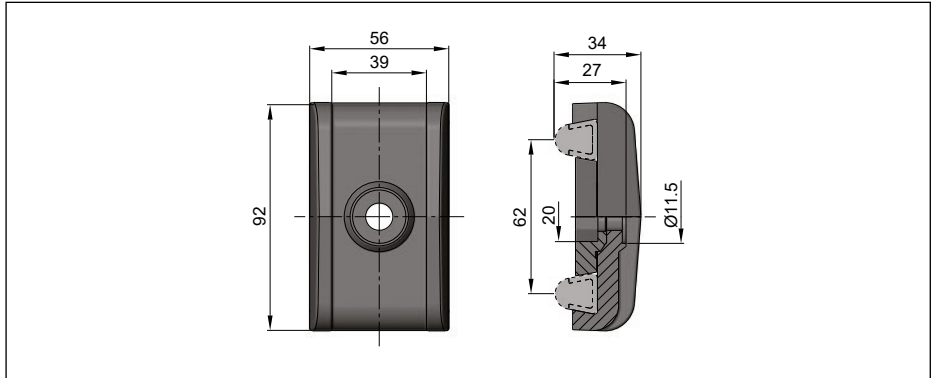
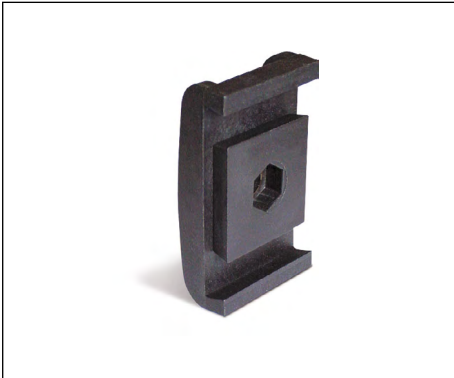
Dimensions in mm



Specifications	
Profile material	UHMW-PE "DESLIDUR"
Related products	
Guides	p. xx

Ref.	Guide	L	Kg/m	Std.
P#0350	-	50	0.21	■ ■
PSS#0350L2	C 2010 SS	2	0.7	■ ■
PSS#0350L3	C 2010 SS	3	0.7	■ ■
PZN#0350L2	C 2010	2	0.7	■ ■
PZN#0350L3	C 2010	3	0.7	■ ■

On demand options: Different colours available | L dimension in meters | Best seller
 Replace # by colour code to complete the reference number | Colour codes: ■ 2 | ■ 3



Specifications

Clamp material Reinforced polyamide

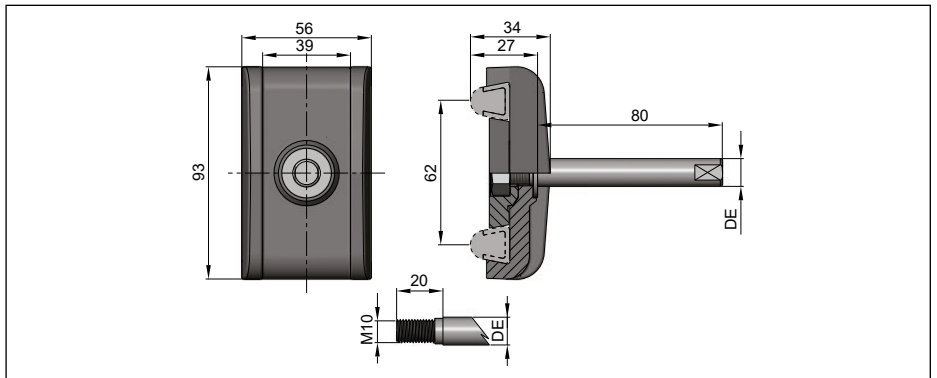
To use with profiles

CSS #0005	CSS #0020	CSS #0035
CSS #0010	CSS #0025	CSS #0037L2
CSS #0015	CSS #0030	CSS #0039L2

Ref.	DE	Kg.	Box
8210134	-	0.09	25

Dimensions in mm | Best seller

COMPONENTS



Specifications

Clamp material Reinforced polyamide

Fastener and rod material Stainless steel

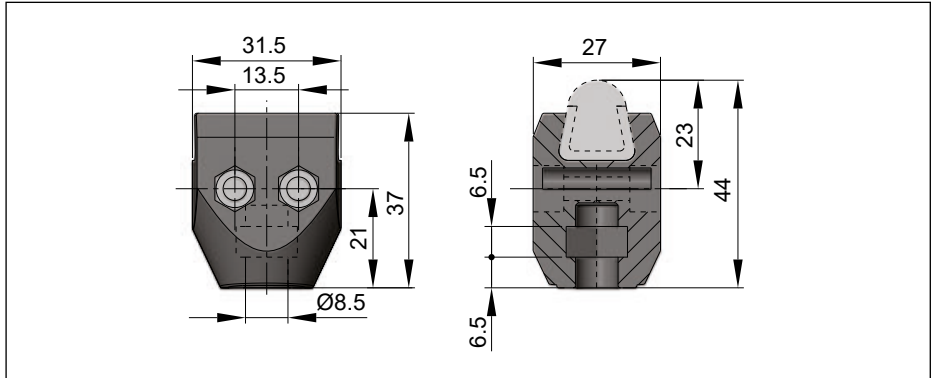
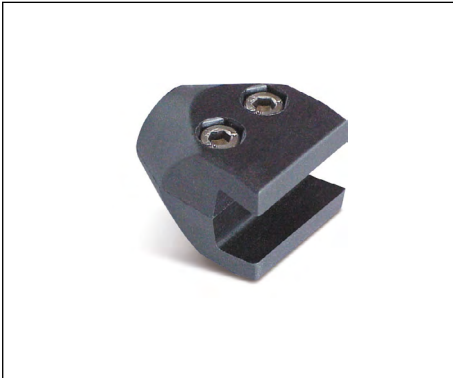
To use with profiles

CSS #0005	CSS #0020	CSS #0035
CSS #0010	CSS #0025	CSS #0037L2
CSS #0015	CSS #0030	CSS #0039L2

Ref.	DE	Kg.	Box
8240135	12	0.18	25
8240136	14	0.2	25
8240137	16	0.21	25

Dimensions in mm | Best seller

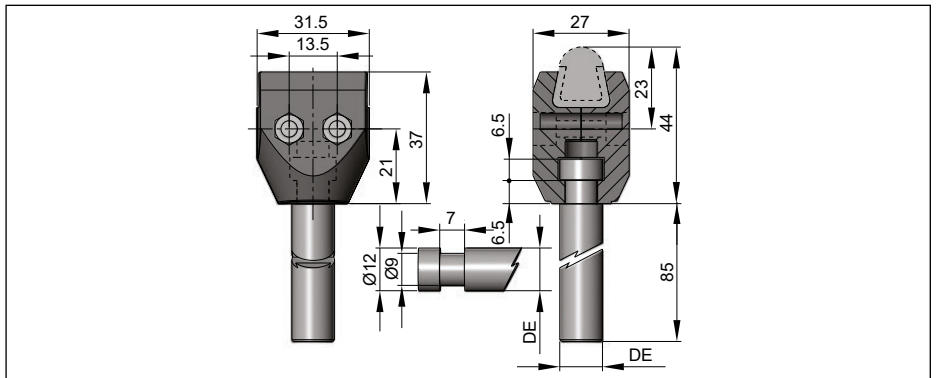




Specifications		
Clamp material	Reinforced polyamide	
Bolts and nuts	Stainless steel	
To use with profiles		
CSS #0005	CSS #0020	CSS #0035
CSS #0010	CSS #0025	CSS #0037L2
CSS #0015	CSS #0030	CSS #0039L2

Ref.	DE	Kg.	Box
8210142	-	0.03	100

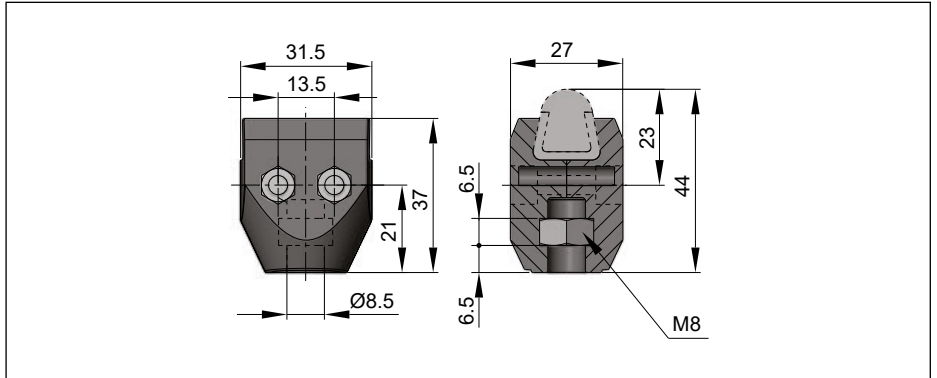
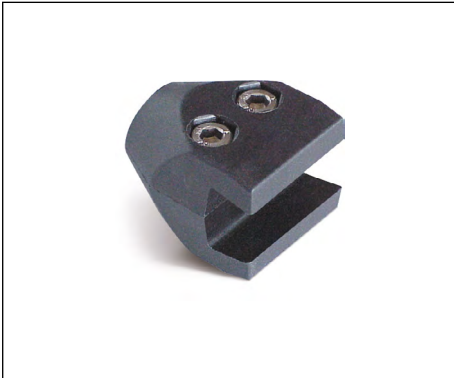
Dimensions in mm | Best seller



Specifications		
Clamp material	Reinforced polyamide	
Fastener and rod material	Stainless steel	
To use with profiles		
CSS #0005	CSS #0020	CSS #0035
CSS #0010	CSS #0025	CSS #0037L2
CSS #0015	CSS #0030	CSS #0039L2

Ref.	DE	Kg.	Box
8240143	12	0.11	50
8240144	14	0.13	50
8240145	16	0.15	50

Dimensions in mm | Best seller

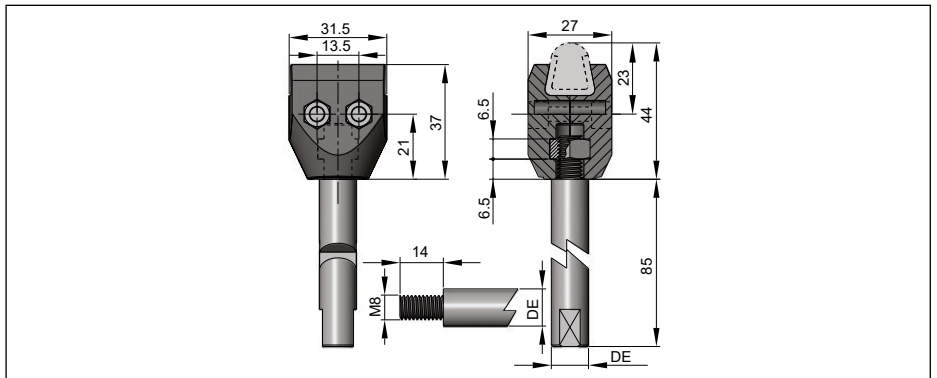


Specifications		
Clamp material	Reinforced polyamide	
Bolts and nuts	Stainless steel	
To use with profiles		
CSS #0005	CSS #0020	CSS #0035
CSS #0010	CSS #0025	CSS #0037L2
CSS #0015	CSS #0030	CSS #0039L2

Ref.	DE	Kg.	Box
8210138	-	0.03	100

Dimensions in mm

COMPONENTS

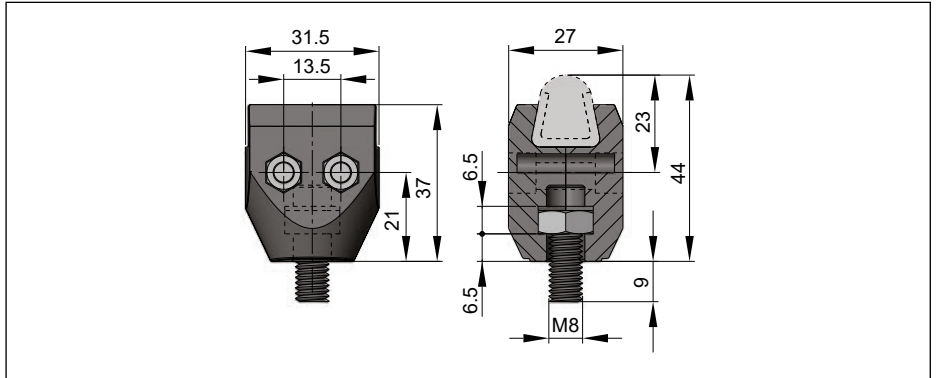


Specifications		
Clamp material	Reinforced polyamide	
Fastener and rod material	Stainless steel	
To use with profiles		
CSS #0005	CSS #0020	CSS #0035
CSS #0010	CSS #0025	CSS #0037L2
CSS #0015	CSS #0030	CSS #0039L2

Ref.	DE	Kg.	Box
8240139	12	0.11	50
8240140	14	0.13	50
8240141	16	0.15	50

Dimensions in mm

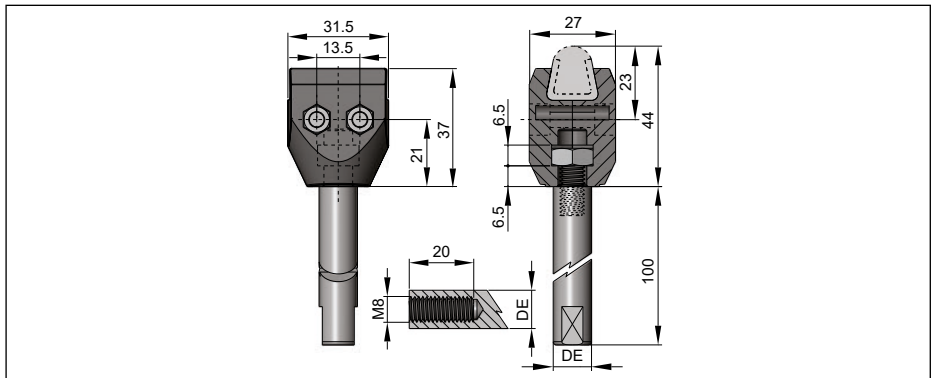




Specifications		
Clamp material	Reinforced polyamide	
Bolts and nuts	Stainless steel	
To use with profiles		
CSS #0005	CSS #0020	CSS #0035
CSS #0010	CSS #0025	CSS #0037L2
CSS #0015	CSS #0030	CSS #0039L2

Ref.	DE	Kg.	Box
8210146	-	0.03	100

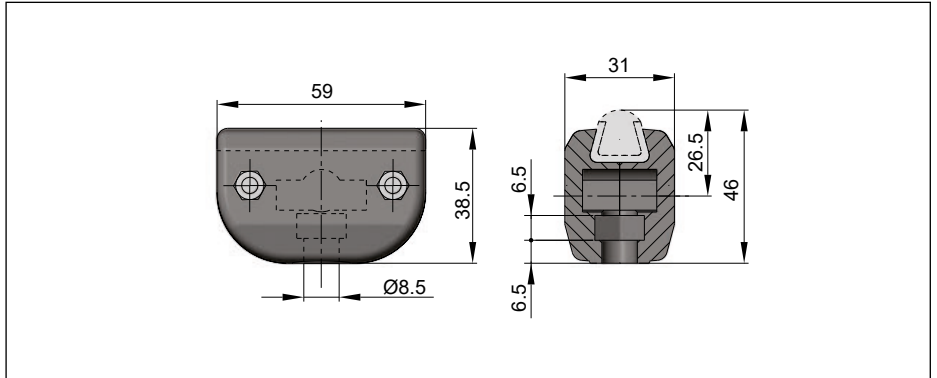
Dimensions in mm



Specifications		
Clamp material	Reinforced polyamide	
Fastener and rod material	Stainless steel	
To use with profiles		
CSS #0005	CSS #0020	CSS #0035
CSS #0010	CSS #0025	CSS #0037L2
CSS #0015	CSS #0030	CSS #0039L2

Ref.	DE	Kg.	Box
8240147	12	0.11	50
8240148	14	0.13	50
8240149	16	0.15	50

Dimensions in mm

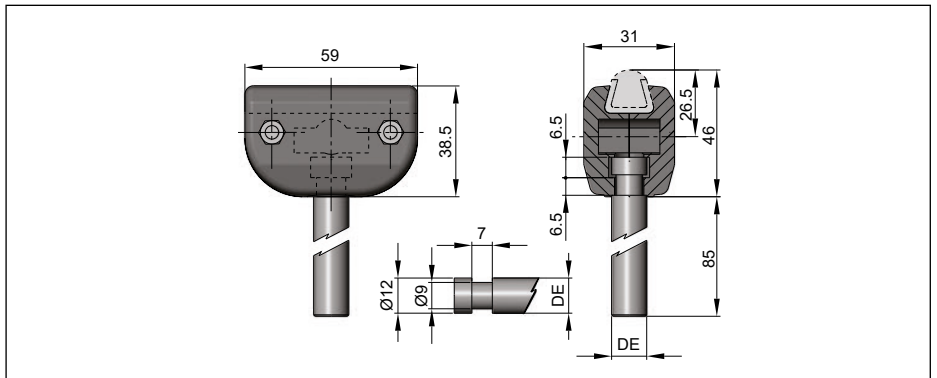


Specifications		
Clamp material	Reinforced polyamide	
Bolts and nuts	Stainless steel	
To use with profiles		
CSS #0005	CSS #0020	CSS #0035
CSS #0010	CSS #0025	CSS #0037L2
CSS #0015	CSS #0030	CSS #0039L2

Ref.	DE	Kg.	Box
8210161	-	0.06	50

Dimensions in mm

COMPONENTS

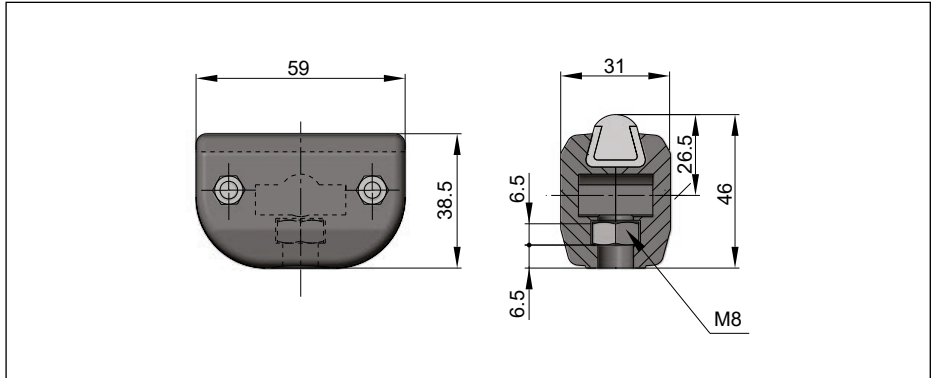


Specifications		
Clamp material	Reinforced polyamide	
Fastener and rod material	Stainless steel	
To use with profiles		
CSS #0005	CSS #0020	CSS #0035
CSS #0010	CSS #0025	CSS #0037L2
CSS #0015	CSS #0030	CSS #0039L2

Ref.	DE	Kg.	Box
8240162	12	0.14	30
8240163	14	0.16	30
8240164	16	0.18	30

Dimensions in mm

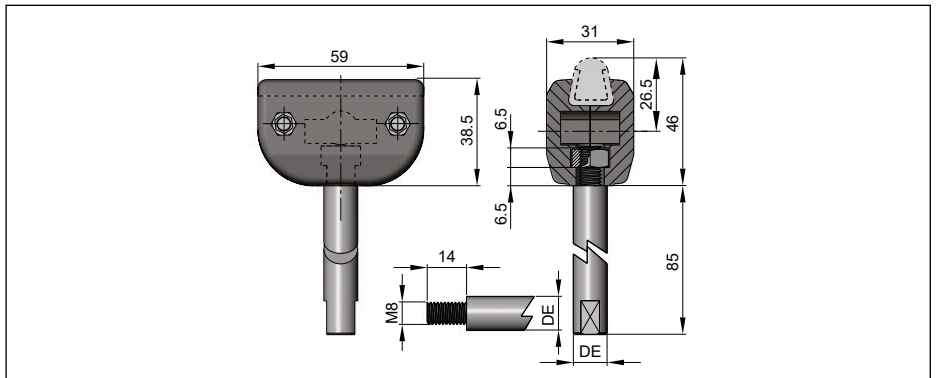




Specifications		
Clamp material	Reinforced polyamide	
Bolts and nuts	Stainless steel	
To use with profiles		
CSS #0005	CSS #0020	CSS #0035
CSS #0010	CSS #0025	CSS #0037L2
CSS #0015	CSS #0030	CSS #0039L2

Ref.	DE	Kg.	Box
8210157	-	0.06	50

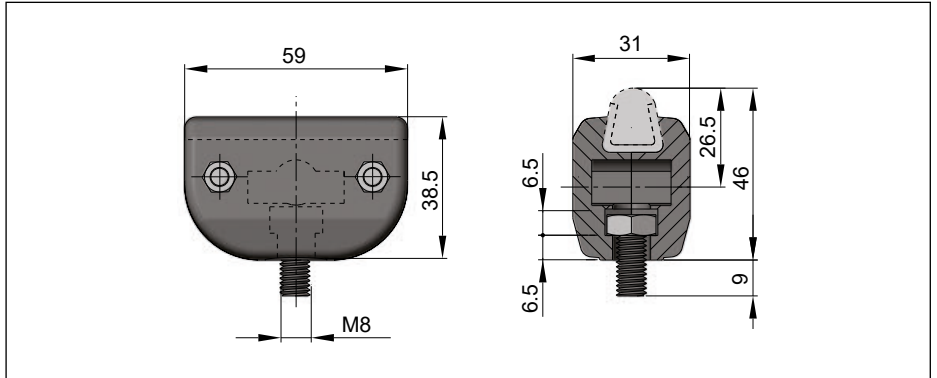
Dimensions in mm



Specifications		
Clamp material	Reinforced polyamide	
Fastener and rod material	Stainless steel	
To use with profiles		
CSS #0005	CSS #0020	CSS #0035
CSS #0010	CSS #0025	CSS #0037L2
CSS #0015	CSS #0030	CSS #0039L2

Ref.	DE	Kg.	Box
8240158	12	0.14	30
8240159	14	0.16	30
8240160	16	0.18	30

Dimensions in mm

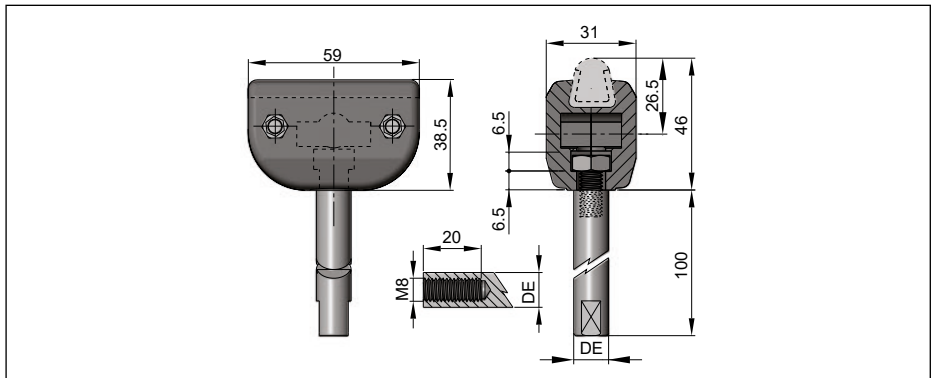


Specifications		
Clamp material	Reinforced polyamide	
Bolts and nuts	Stainless steel	
To use with profiles		
CSS #0005	CSS #0020	CSS #0035
CSS #0010	CSS #0025	CSS #0037L2
CSS #0015	CSS #0030	CSS #0039L2

Ref.	DE	Kg.	Box
8210165	-	0.06	50

Dimensions in mm

COMPONENTS

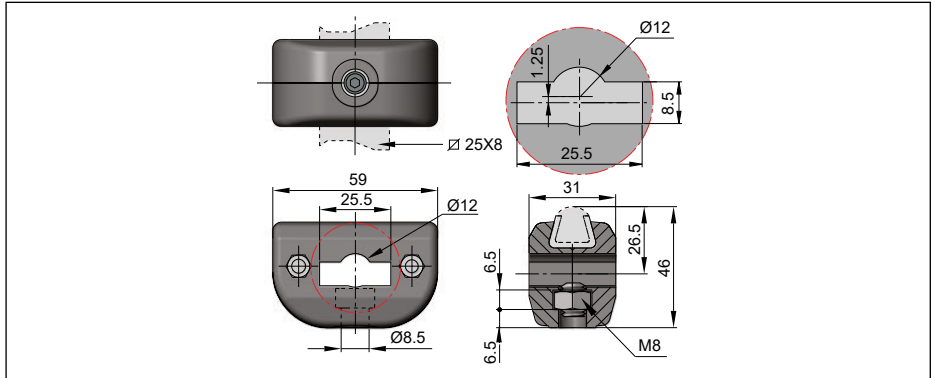


Specifications		
Clamp material	Reinforced polyamide	
Fastener and rod material	Stainless steel	
To use with profiles		
CSS #0005	CSS #0020	CSS #0035
CSS #0010	CSS #0025	CSS #0037L2
CSS #0015	CSS #0030	CSS #0039L2

Ref.	DE	Kg.	Box
8240166	12	0.14	30
8240167	14	0.16	30
8240168	16	0.18	30

Dimensions in mm

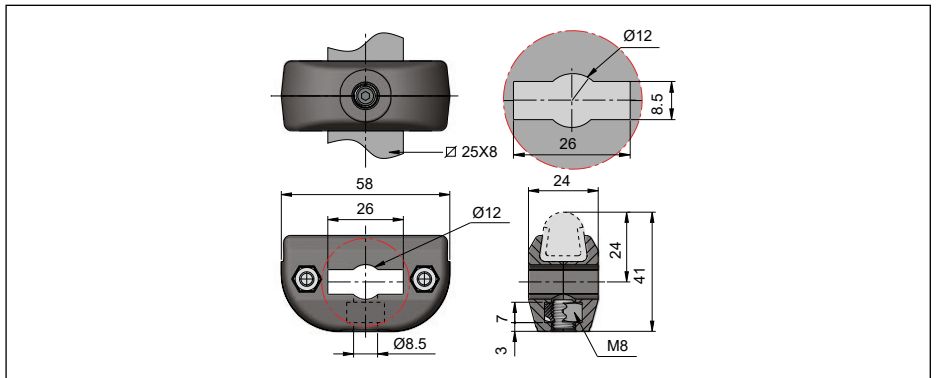




Specifications		
Clamp material	Reinforced polyamide	
Bolts and nuts	Stainless steel	
To use with profiles		
CSS #0005	CSS #0020	CSS #0035
CSS #0010	CSS #0025	CSS #0037L2
CSS #0015	CSS #0030	CSS #0039L2

Ref.	DE	Kg.	Box
8210169	-	0.06	50

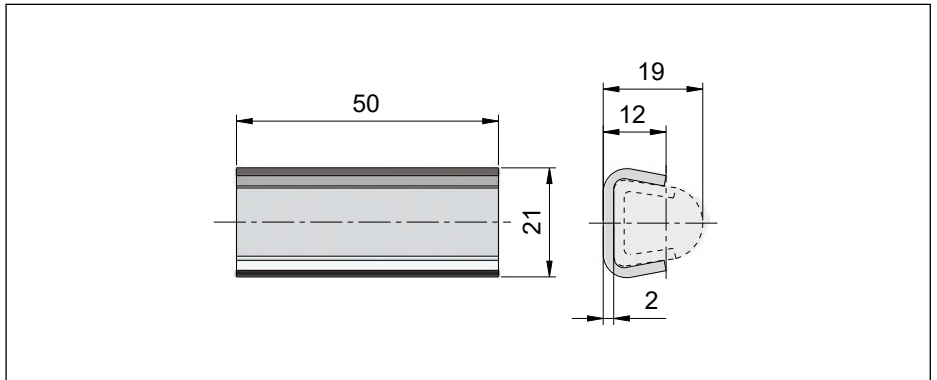
Dimensions in mm



Specifications		
Clamp material	Reinforced polyamide	
Fastener and rod material	Stainless steel	
To use with profiles		
CSS #0005	CSS #0020	CSS #0035
CSS #0010	CSS #0025	CSS #0037L2
CSS #0015	CSS #0030	CSS #0039L2

Ref.	DE	Kg.	Box
8210461	-	0.05	80

Dimensions in mm | Best seller



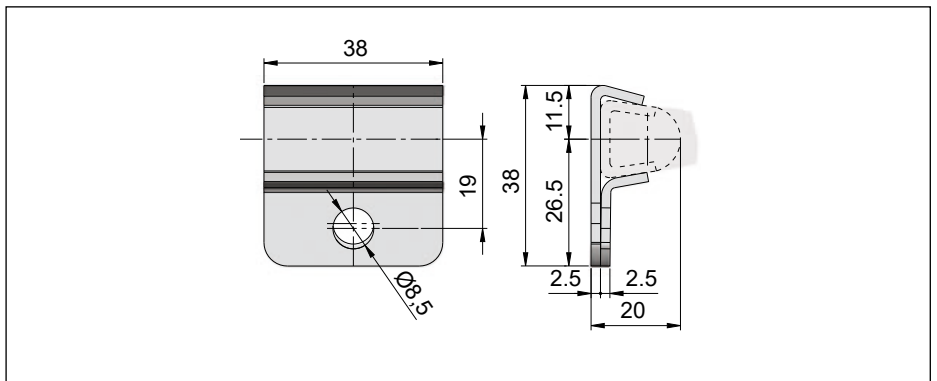
Specifications

Material: Stainless steel

Ref.	Kg.	Box
8214620	0.03	200

L dimension in meters | Best seller

COMPONENTS

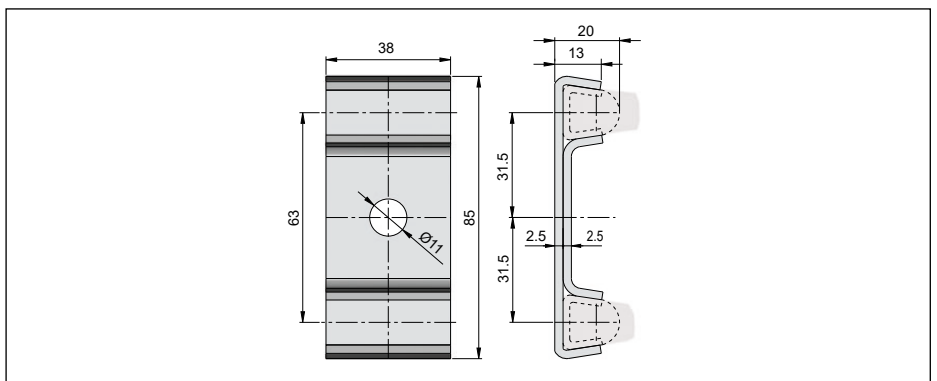


Specifications

Material: Stainless steel

Ref.	Kg.	Box
8214680	0.05	200

Dimensions in mm

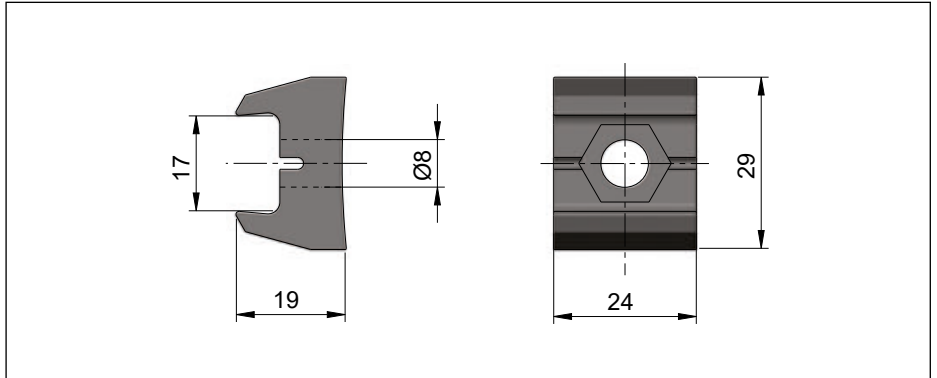
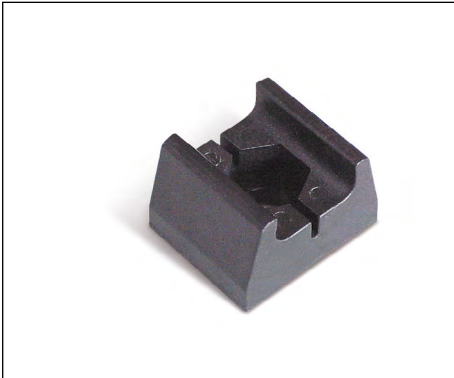


Specifications

Material: Stainless steel

Ref.	Kg.	Box
8214691	0.13	30

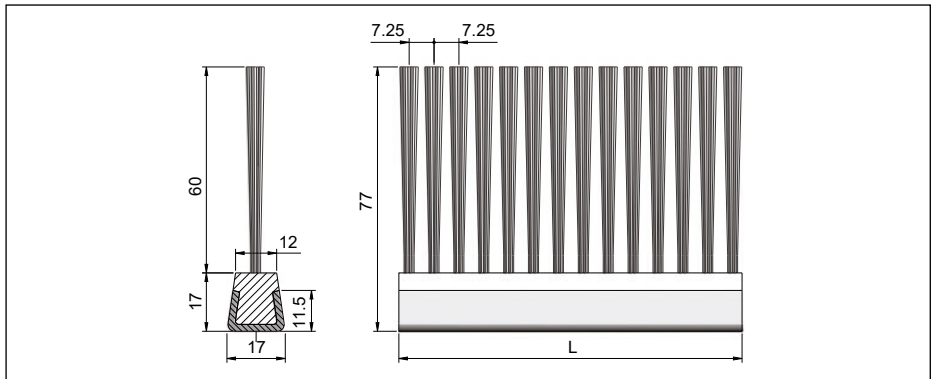
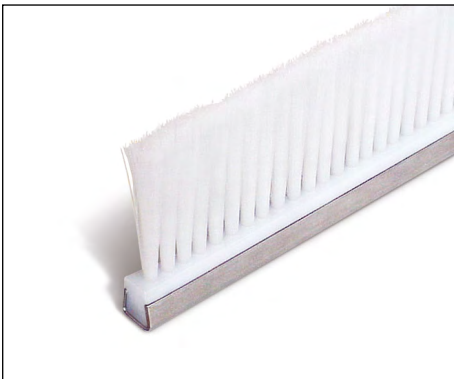
Dimensions in mm



Specifications	
Material	Reinforced polyamide

Ref.	Kg.	Box
8210367	0.01	100

Dimensions in mm

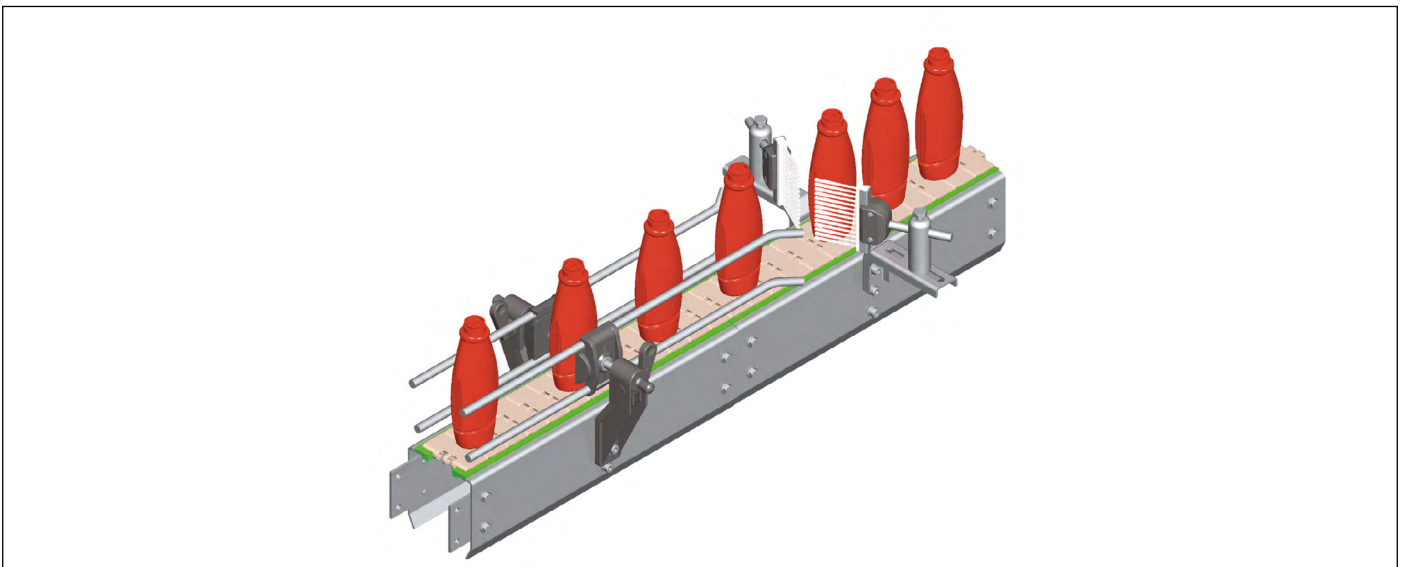


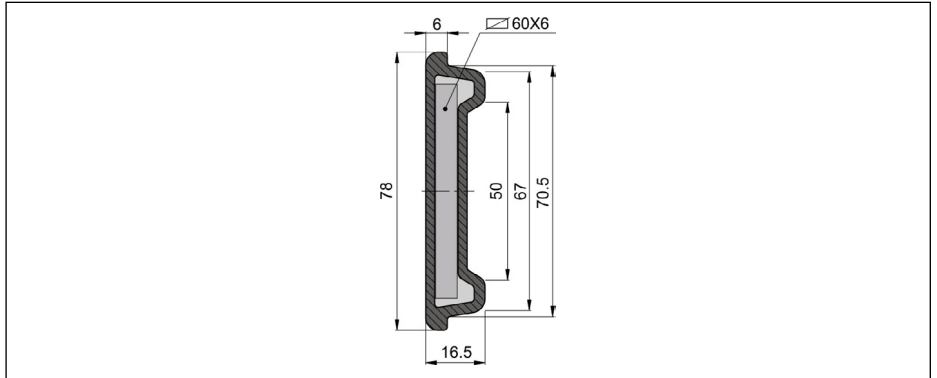
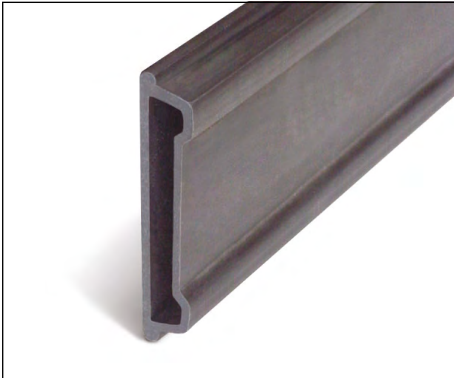
Specifications	
Guide material	Stainless steel
Brush material	UHMW-PE base with PE filaments

Ref.	Guide	L	Kg/m	Std.
CSS1010X05	SS	50	0.72	□

Dimensions in mm

Example of application





Specifications

Material: Self-lubricating polyethylene

Notes

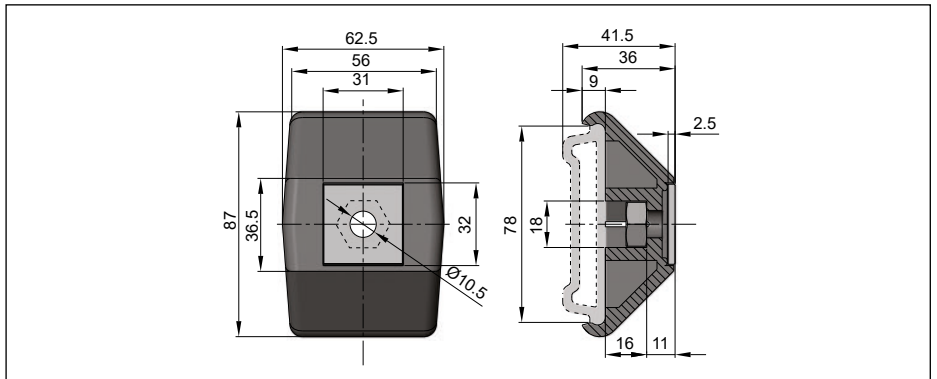
Coefficient of linear expansion: $2.5 \cdot 10^{-4} \text{ } ^\circ\text{C}^{-1}$

Working temperature: $-35^\circ\text{C} - +70^\circ\text{C}$

Minimum bending radius: 200 mm

Ref.	L	Kg.
P30447L3	3	0.33
P30447L6	6	0.33

Dimensions in mm | L dimension in meters



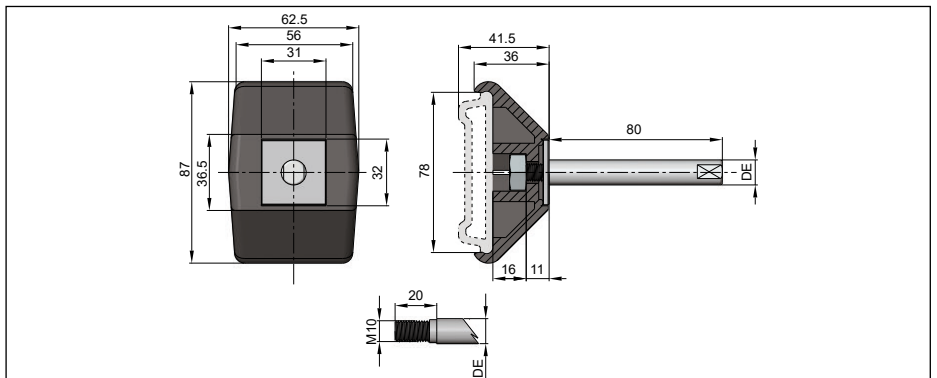
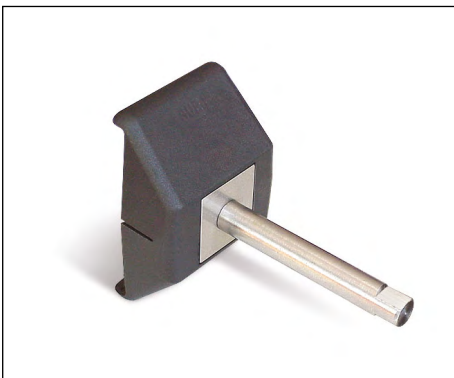
Specifications

Clamp material: Reinforced polyamide

Fastener material: Stainless steel

Ref.	Kg.	Box
8210270	0.08	25

Dimensions in mm



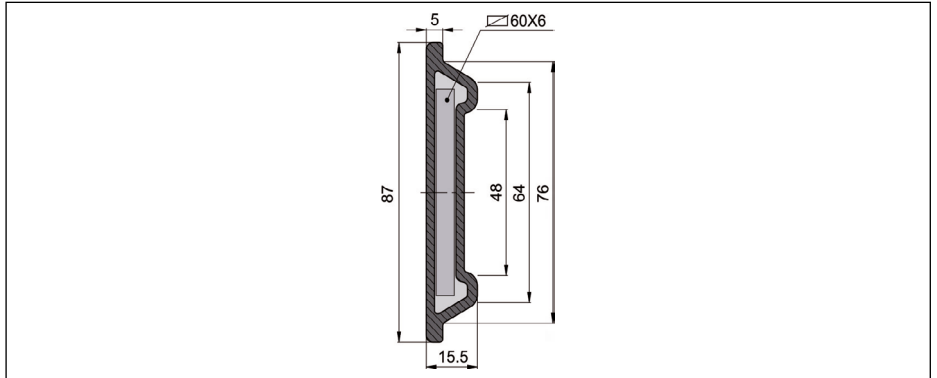
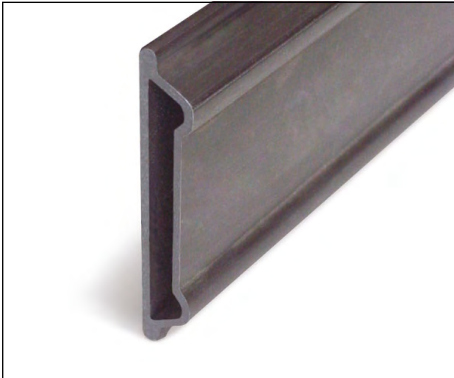
Specifications

Clamp material: Reinforced polyamide

Fastener and rod material: Stainless steel

Ref.	DE	Kg.	Box
8240271	12	0.19	25
8240272	14	0.2	25
8240273	16	0.24	25

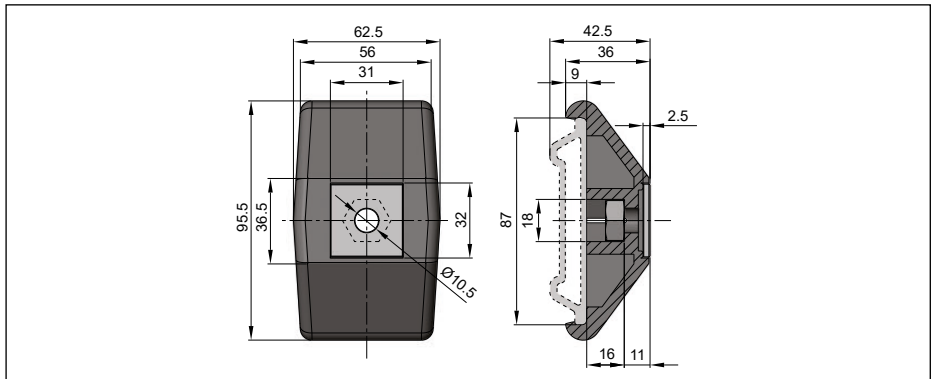
Dimensions in mm



Specifications	
Material	Self-lubricating polyethylene
Notes	
Coefficient of linear expansion: $2.5 \cdot 10^{-4} \text{ } ^\circ\text{C}^{-1}$	
Working temperature: $-35^\circ\text{C} - +70^\circ\text{C}$	
Minimum bending radius: 200 mm	

Ref.	L	Kg.
P30450L3	3	0.33
P30450L6	6	0.33

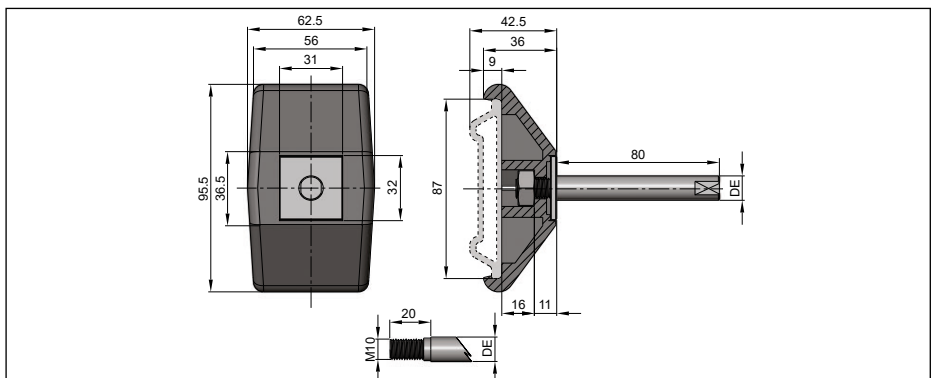
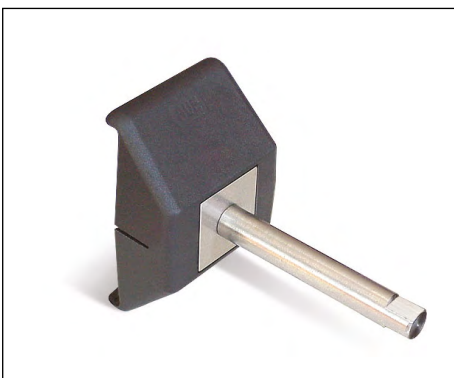
Dimensions in mm | L dimension in meters



Specifications	
Clamp material	Reinforced polyamide
Fastener material	Stainless steel

Ref.	Kg.	Box
8210277	0.08	25

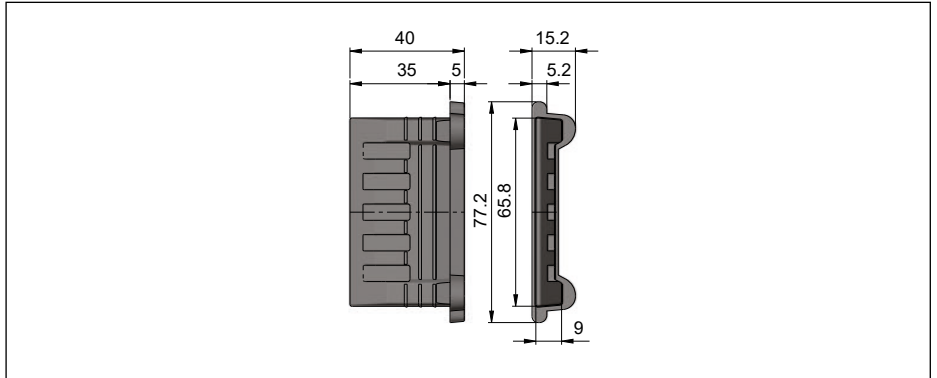
Dimensions in mm



Specifications	
Clamp material	Reinforced polyamide
Fastener and rod material	Stainless steel

Ref.	DE	Kg.	Box
8240290	12	0.19	25
8240292	14	0.2	25
8240294	16	0.24	25

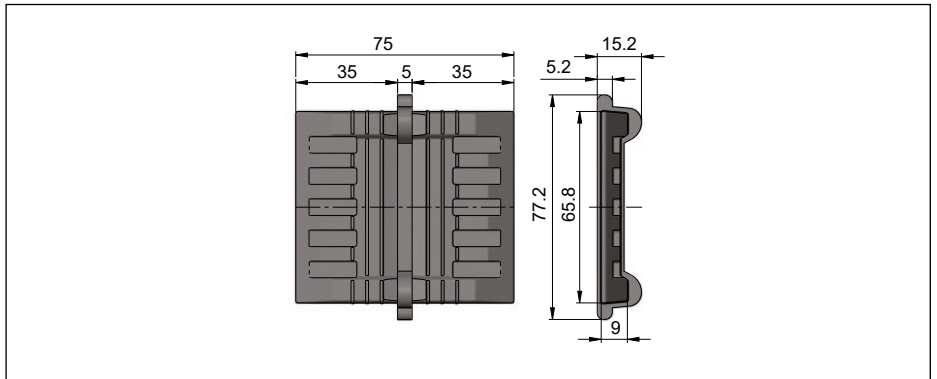
Dimensions in mm



Specifications	
Material	Reinforced polyamide
To use with profiles	
P30447L3	P30447L6

Ref.	Kg.	Box
8040501	0.02	100

Dimensions in mm

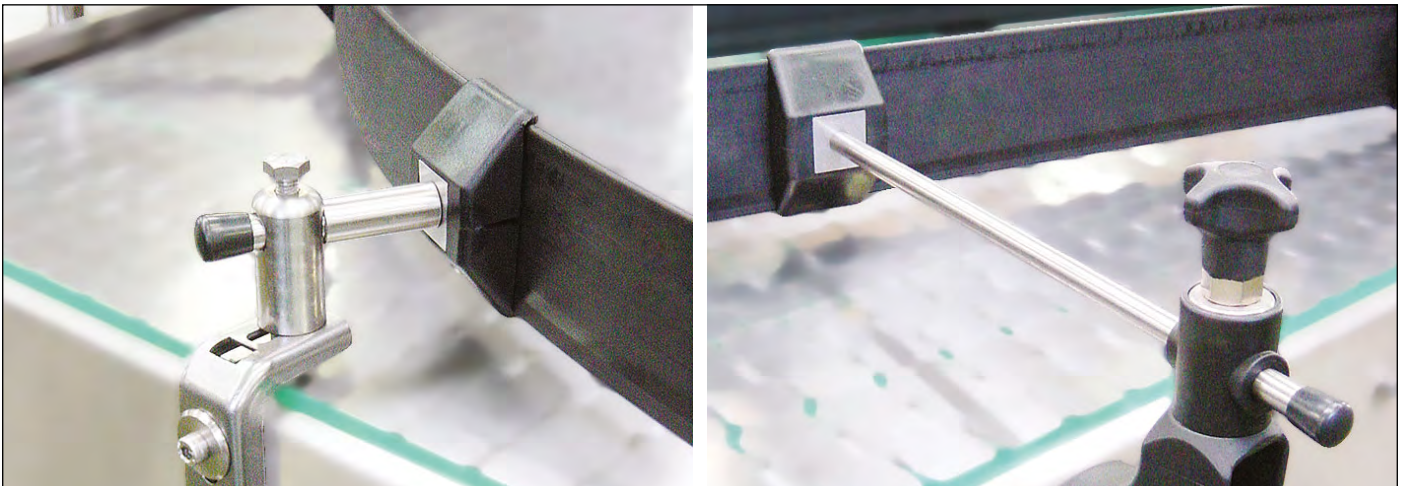


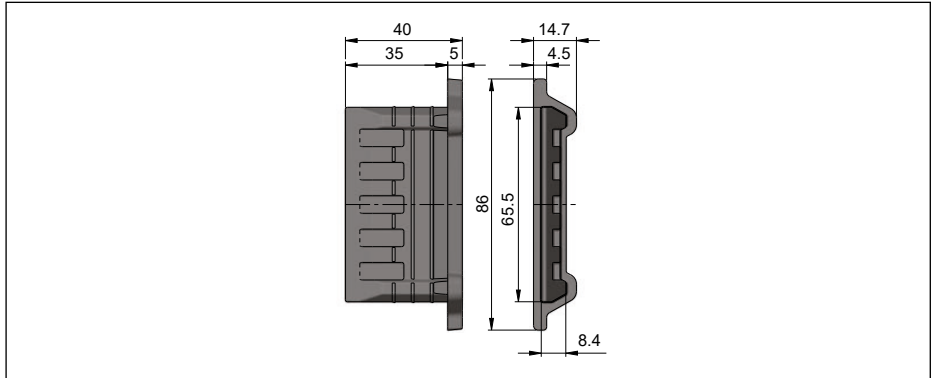
Specifications	
Material	Reinforced polyamide
To use with profiles	
P30447L3	P30447L6

Ref.	Kg.	Box
8040535	0.03	50

Dimensions in mm

Example of application

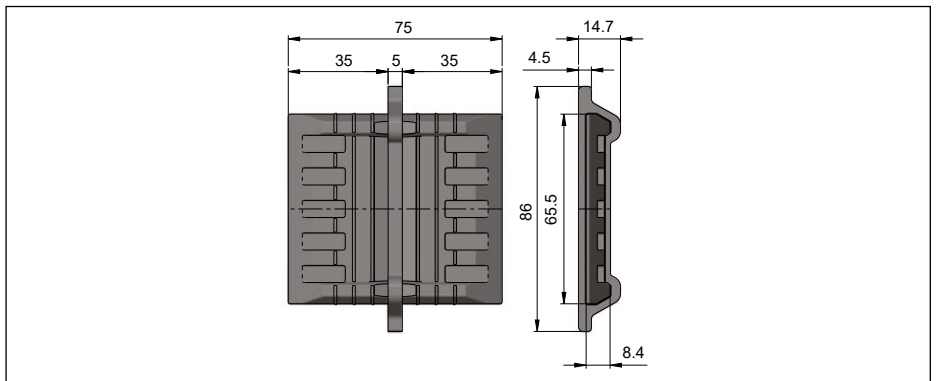




Specifications	
Material	Reinforced polyamide
To use with profiles	
P30450L3	P30450L6

Ref.	Kg.	Box
8040560	0.02	100

Dimensions in mm

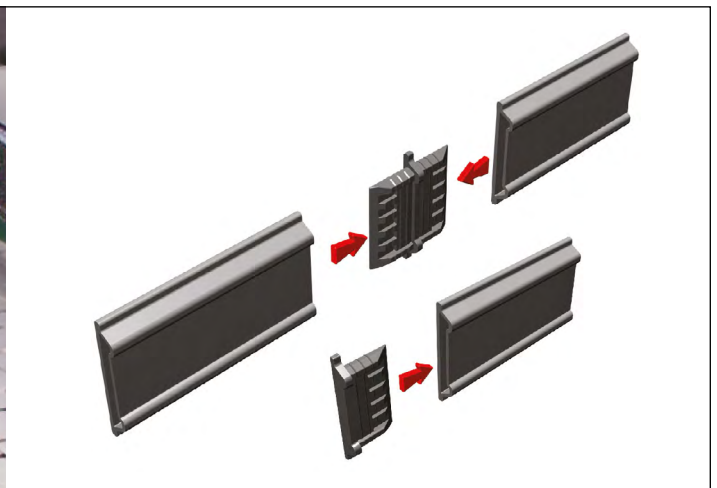


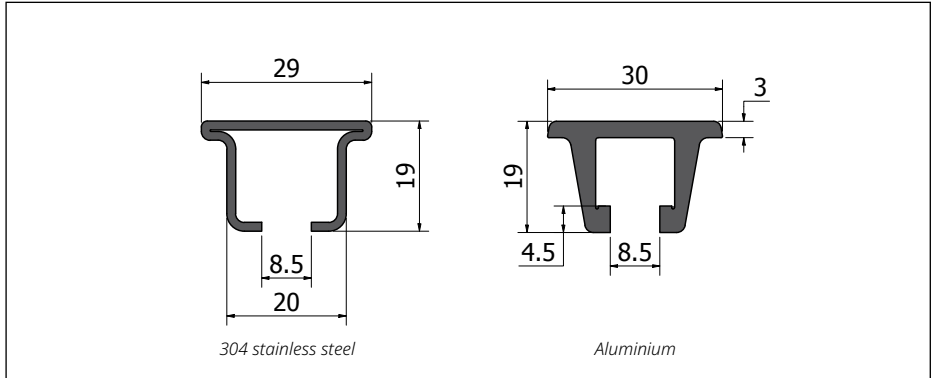
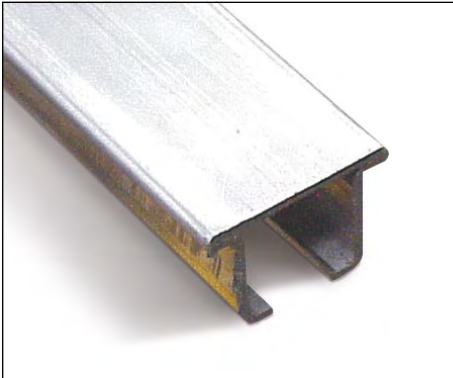
Specifications	
Material	Reinforced polyamide
To use with profiles	
P30450L3	P30450L6

Ref.	Kg.	Box
8040581	0.04	50

Dimensions in mm

Example of application



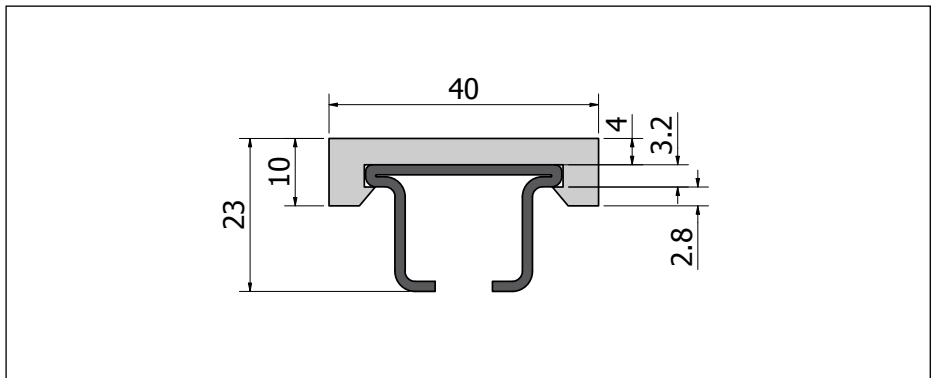
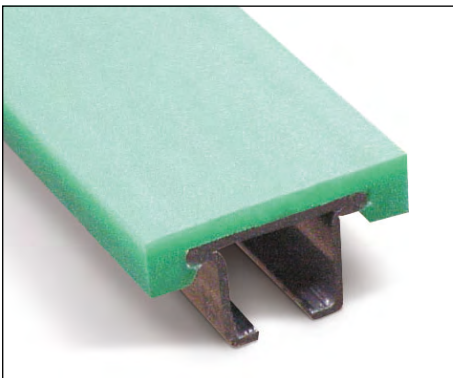


Specifications	
Guide material	Stainless steel or aluminium

Ref.	Material	L
C2919SS304L3	AISI304	3
C2919SS304L6	AISI304	6
C2919SS430L3	AISI430	3
C2919SS430L6	AISI430	6
C2919AAL3	Aluminium	3
C2919AAL6	Aluminium	6

Dimensions in mm | L dimensions in meters

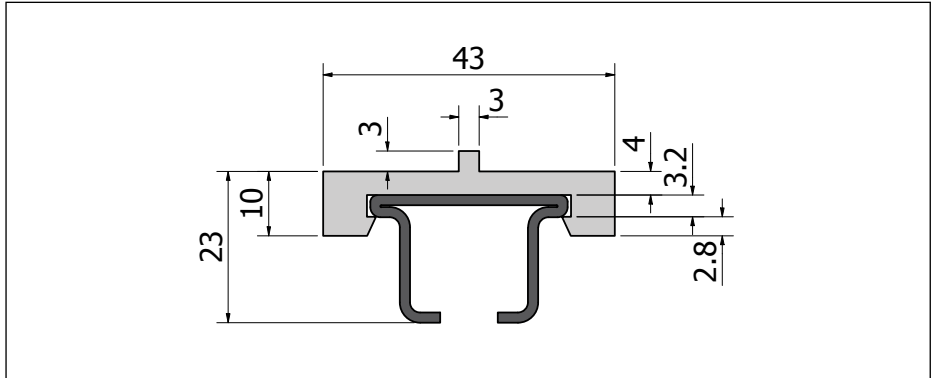
COMPONENTS



Specifications	
Profile material	UHMW-PE "DESLIDUR"

Ref.	Guide	L	Kg/m	Std.
P#0376		50		■
PSS#0376L3	C2919SSL3	3		■
PSS#0376L6	C2919SSL6	6		■

On demand options: Different colours available | Dimensions in mm | L dimension in meters | Best seller
 Replace # by colour code to complete the reference number | Colour codes: 1 | 2 | 3 | 6

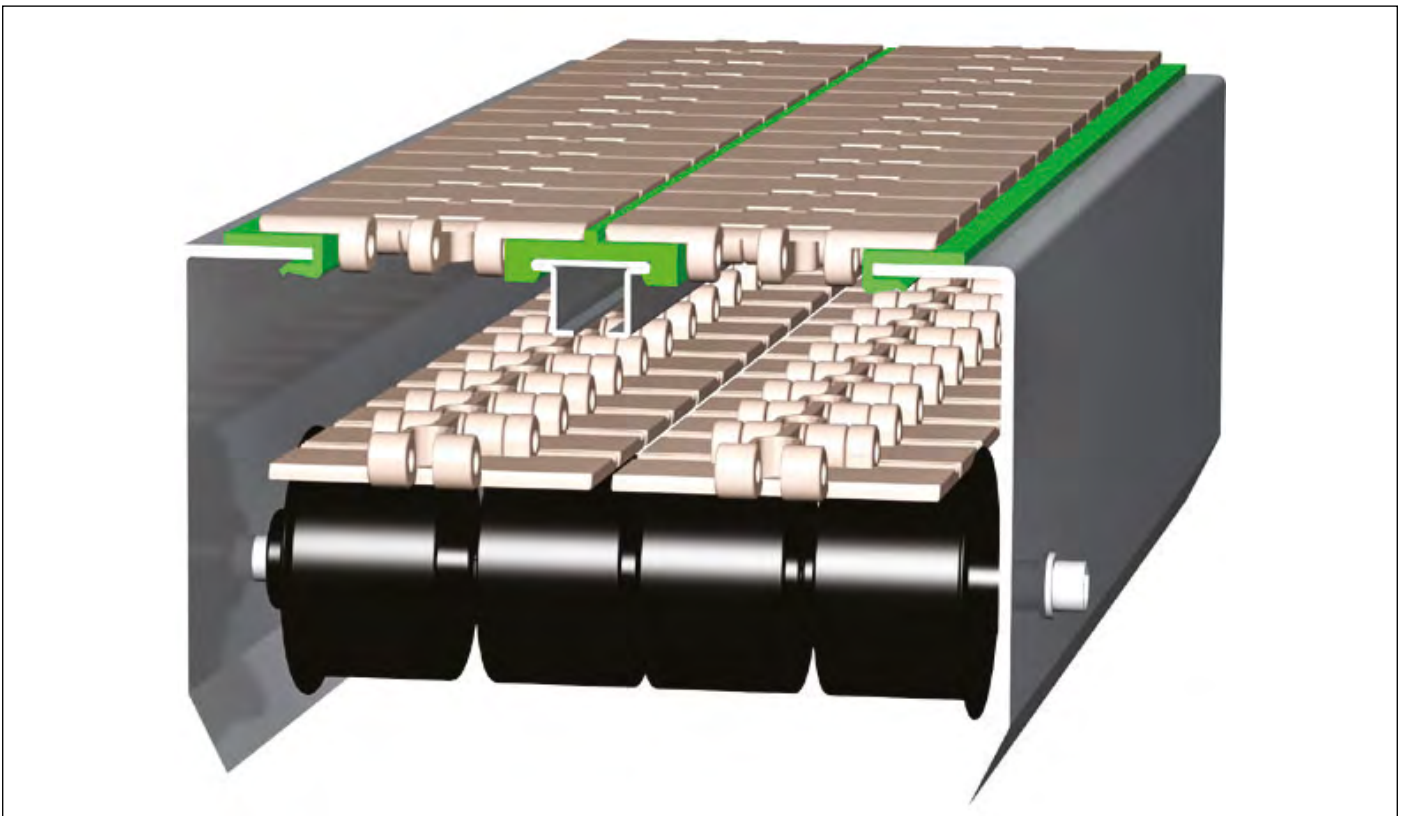


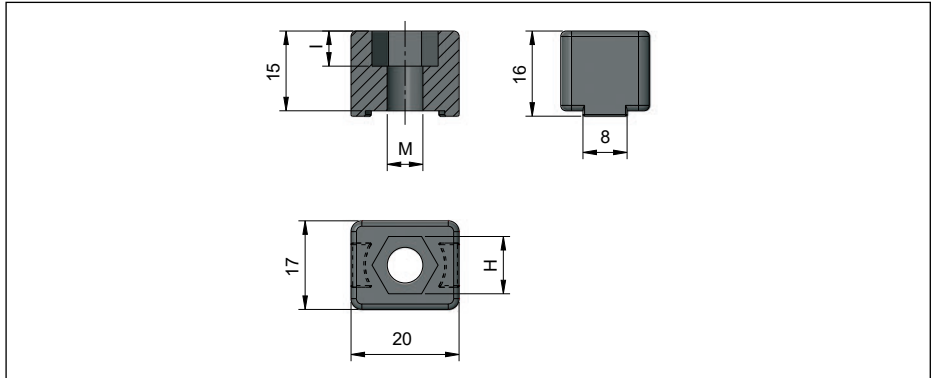
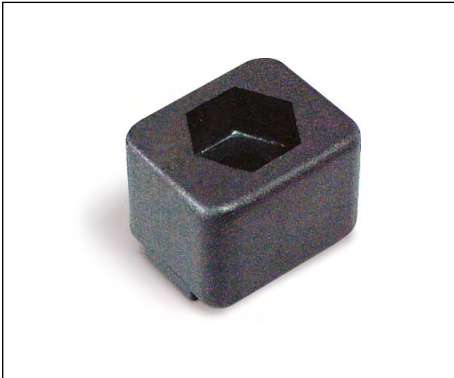
Specifications	
Profile material	UHMW-PE "DESLIDUR"

Ref.	Guide	L	Kg/m	Std.
P#0378		50		■
PSS#0378L3	C2919SSL3	3		■
PSS#0378L6	C2919SSL6	6		■

On demand options: Different colours available | Dimensions in mm | L dimension in meters
 Replace # by colour code to complete the reference number | Colour codes: □ 1 | ■ 2 | ■ 3 | ■ 6

Example of application

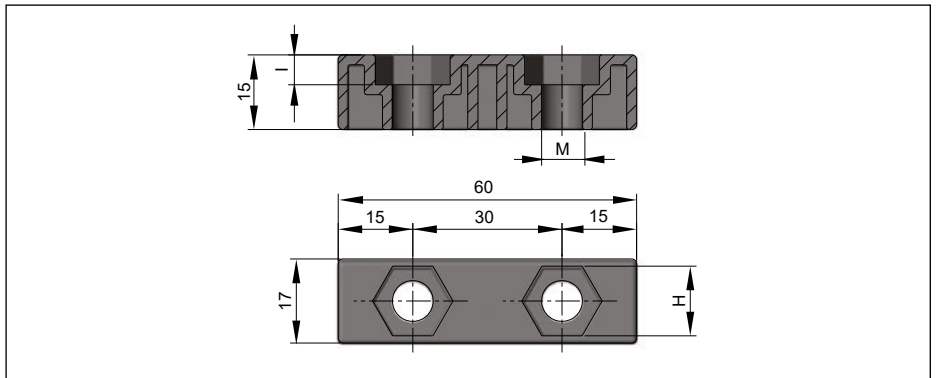




Specifications	
Material	Reinforced polyamide

Ref.	H	M	I	Kg.	Box
8340349	10	Ø6.2	6	0.01	200
⊕ 8340350	13	Ø8.2	6	0.01	200

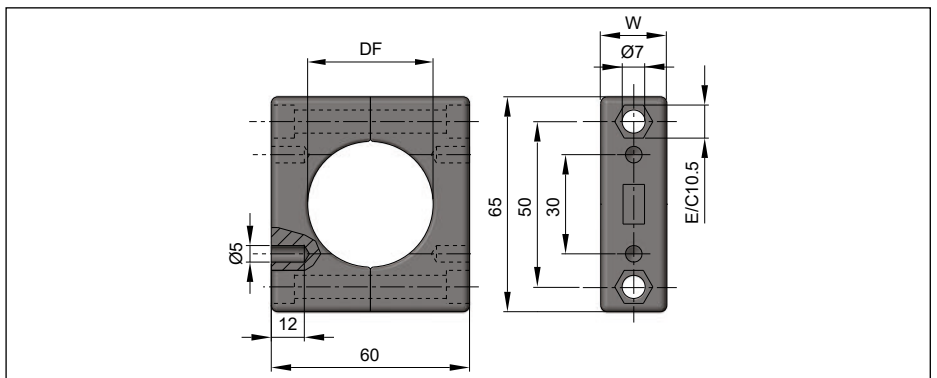
Dimensions in mm | ⊕ Best seller



Specifications	
Material	Reinforced polyamide

Ref.	H	M	I	Kg.	Box
8340359	10	Ø6.2	6	0.02	200
⊕ 8340360	13	Ø8.2	6	0.02	200

Dimensions in mm | ⊕ Best seller



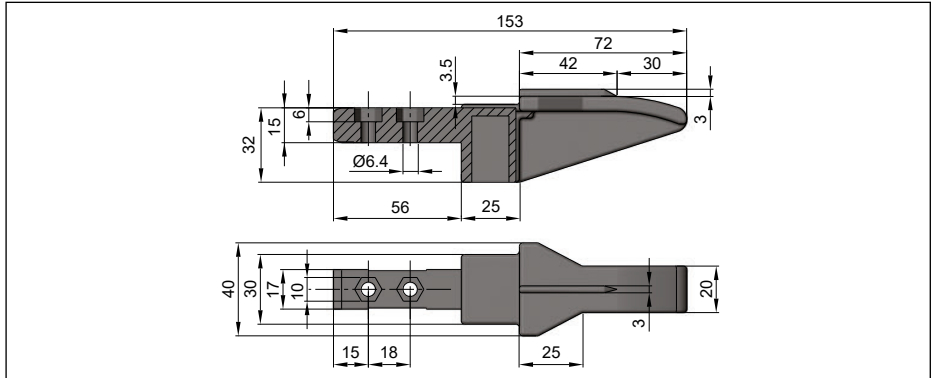
Specifications	
Material	Reinforced polyamide

Ref.	DF	DE	DP	W	Kg.	Box
⊕ 8235361	38	-	-	20	0.06	50

Dimensions in mm | ⊕ Best seller

COMPONENTS

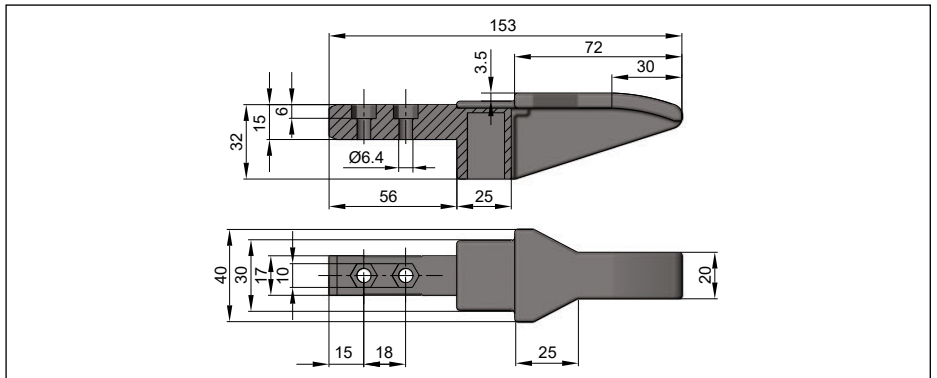




Specifications	
Material	Reinforced polyamide

Ref.	Kg.	Box
8340385	0.04	25

Dimensions in mm

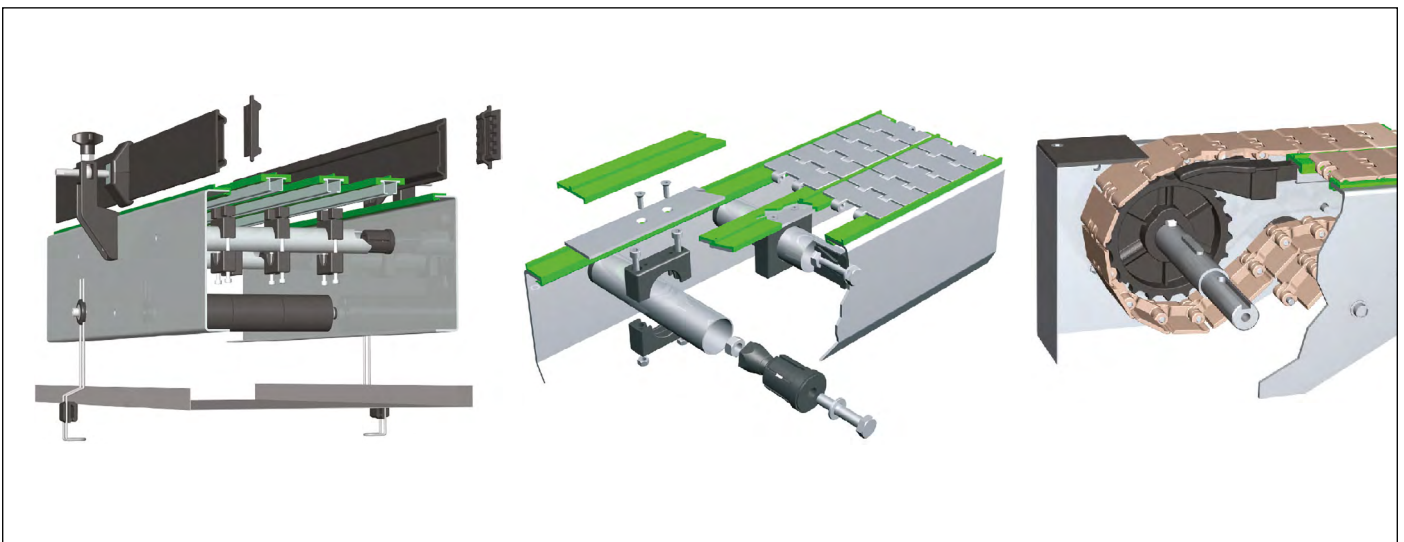


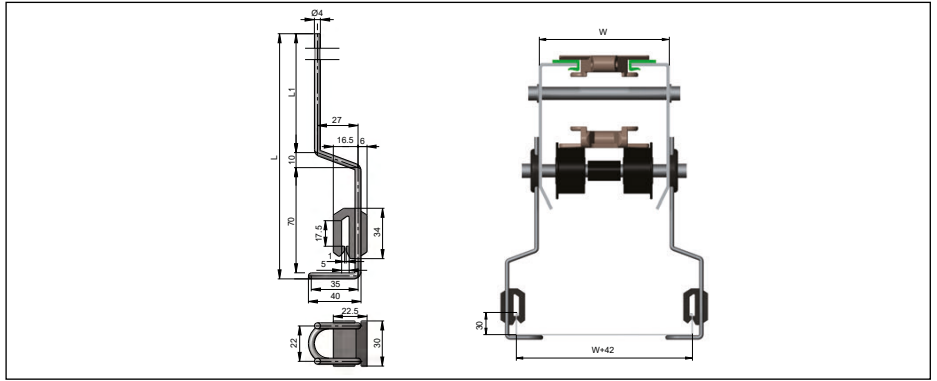
Specifications	
Material	Reinforced polyamide

Ref.	Kg.	Box
8340380	0.04	25

Dimensions in mm | Best seller

Example of application

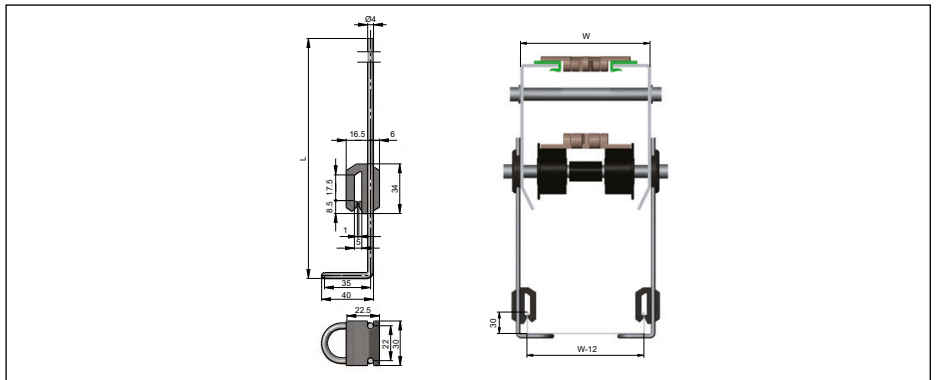
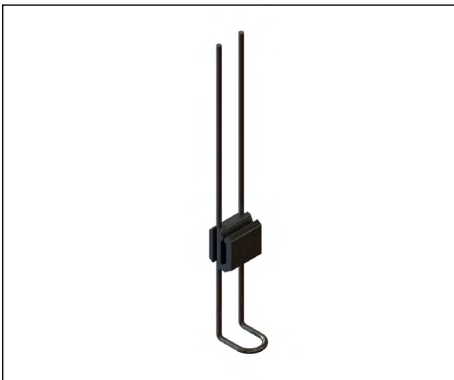




Specifications	
Bracket material	Reinforced polyamide

Ref.	L	L1	Kg.	Box
8225311	180	100	0.08	25
8225312	250	170	0.1	25
8225314	280	200	0.12	25

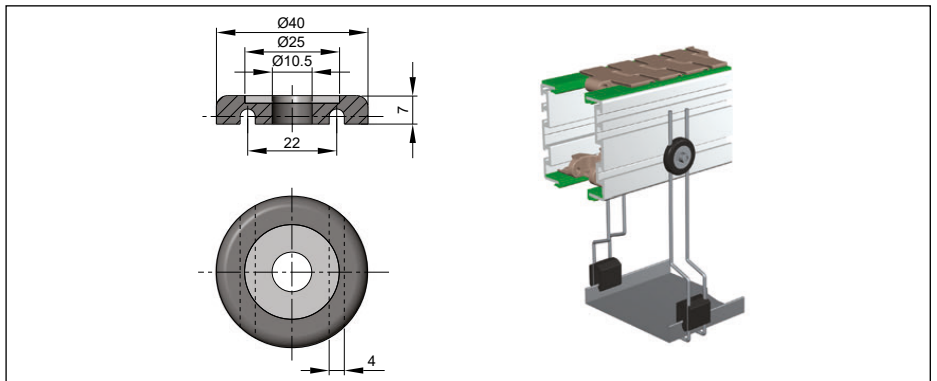
Dimensions in mm



Specifications	
Bracket material	Reinforced polyamide

Ref.	L	L1	Kg.	Box
8226218	250	-	0.08	25
8226219	400	-	0.1	25

Dimensions in mm

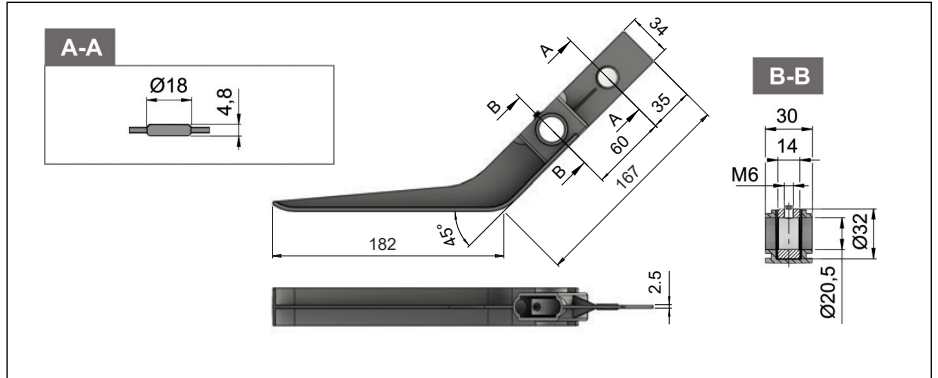


Specifications	
Bracket material	Reinforced polyamide

Ref.	Kg.	Box
8225207	0.02	200

COMPONENTS

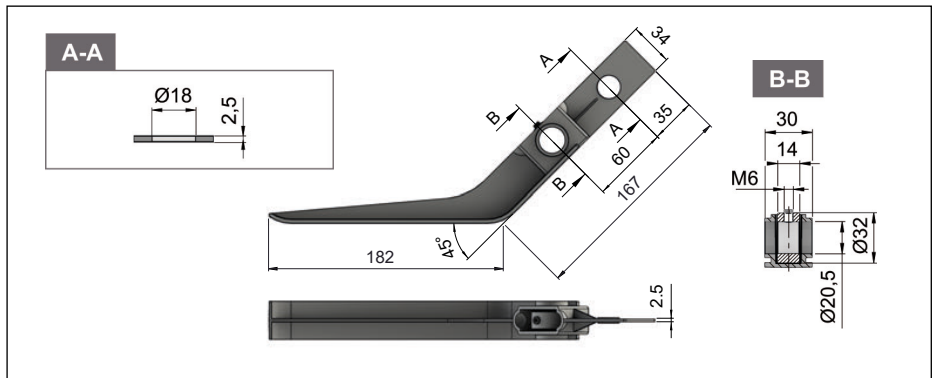




Specifications	
Material	Reinforced polyamide
Bushings	Zinc plated steel

Ref.	Kg.	Box
8330248	0.13	20

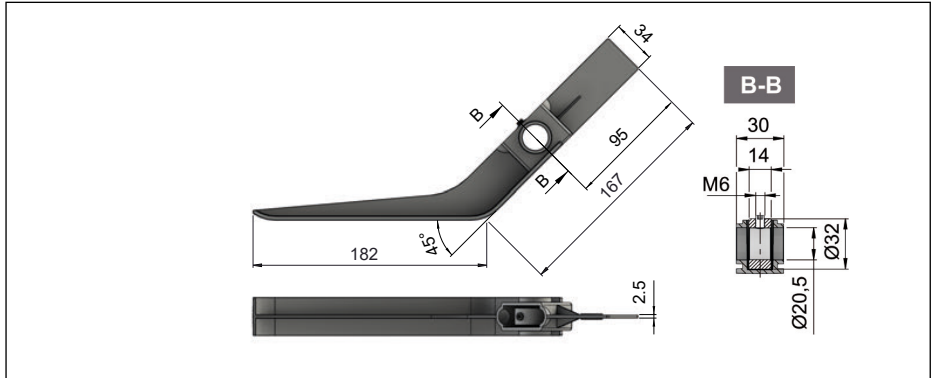
Dimensions in mm



Specifications	
Material	Reinforced polyamide
Bushings	Zinc plated steel

Ref.	Kg.	Box
8330250	0.13	20

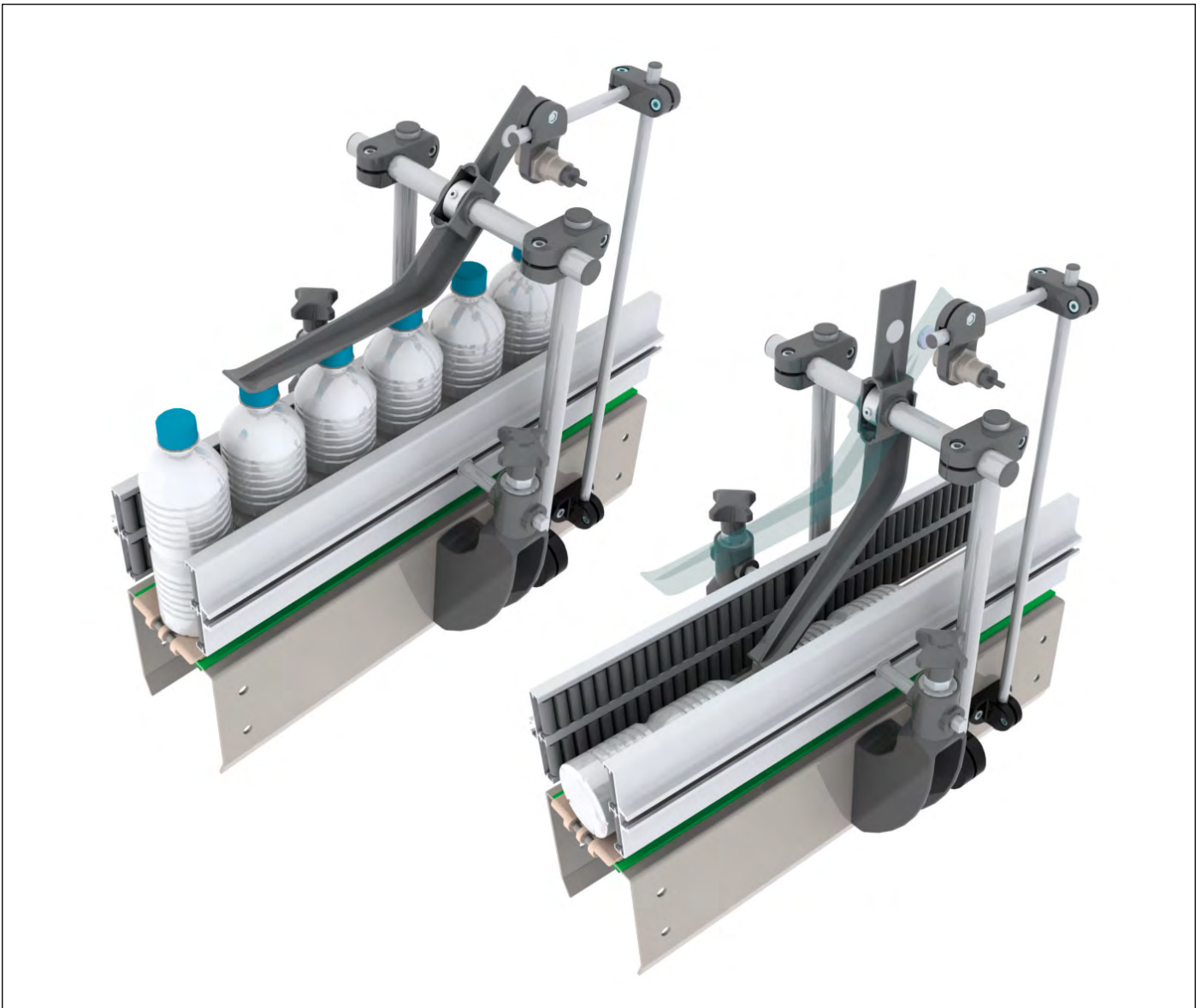
Dimensions in mm



Specifications		Ref.	Kg.	Box
Material	Reinforced polyamide	8330245	0.13	20
Bushings	Zinc plated steel			

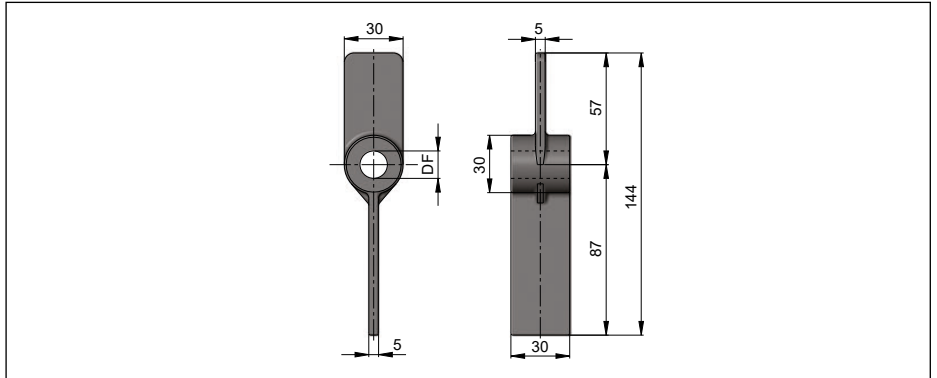
Dimensions in mm

Example of application



COMPONENTS

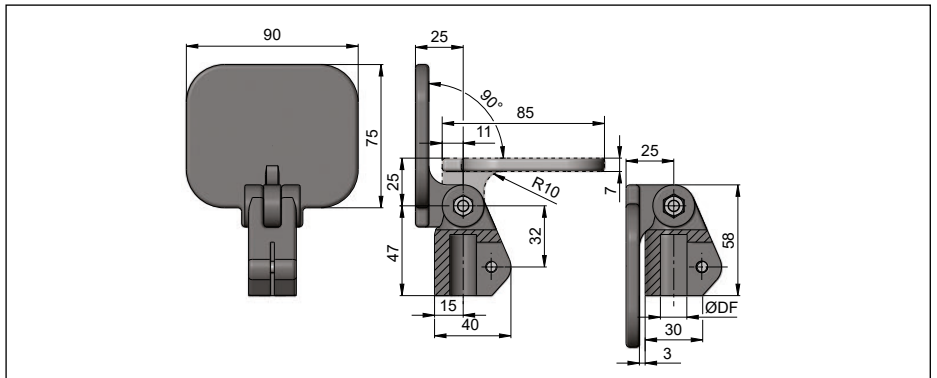




Specifications	
Material	Reinforced polyamide

Ref.	DF	Kg.	Box
8330237	14	0.05	50

Dimensions in mm

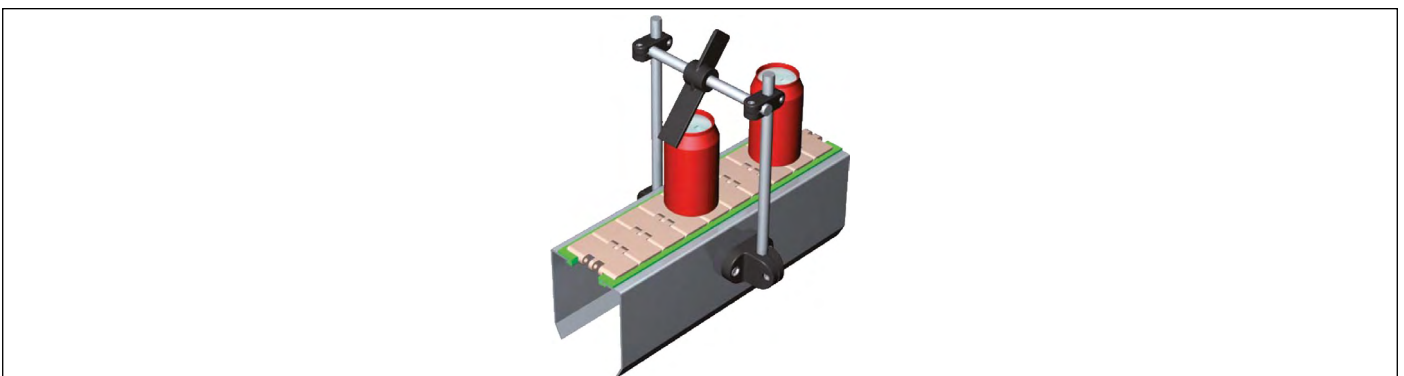


Specifications	
Material	Reinforced polyamide
Nuts and bolts	Stainless steel

Ref.	DF	Kg.	Box
8330301	12	0.1	15
8330303	14	0.1	15
8330305	15	0.1	15
8330306	16	0.1	15
8330308	18	0.1	15
8330310	20	0.1	15

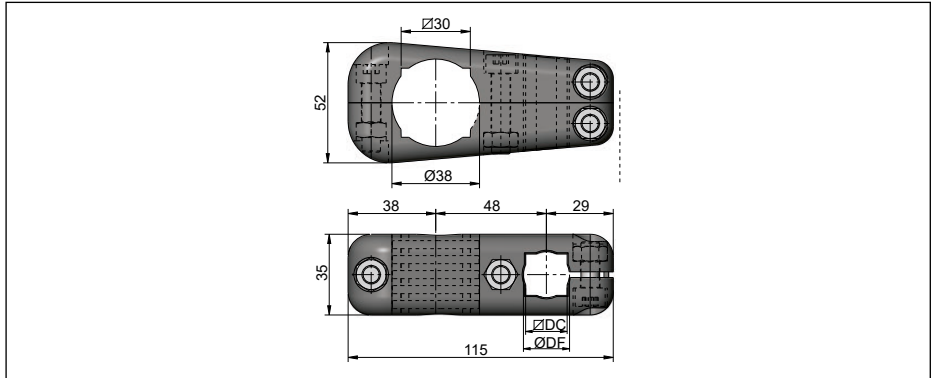
Dimensions in mm

Example of application



COMPONENTS





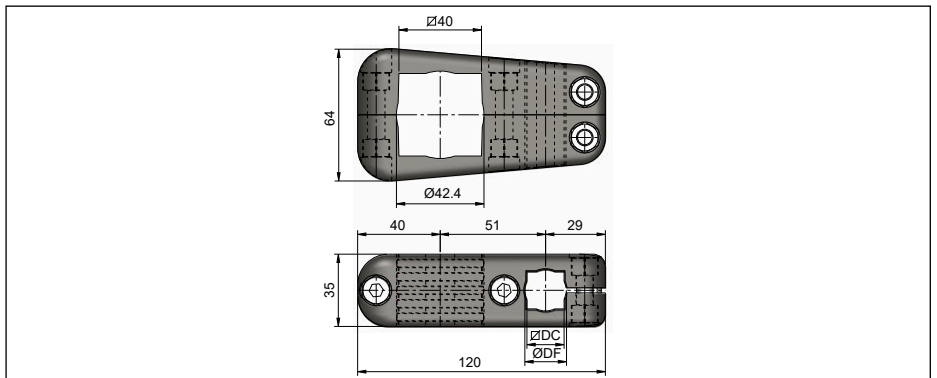
Specifications

Material	Reinforced polyamide
Nuts and bolts	Stainless steel

Ref.	ØDF	DC	Kg.	Box
8330648	18	15	0.2	20
8330650	20	18	0.19	20

Dimensions in mm

COMPONENTS



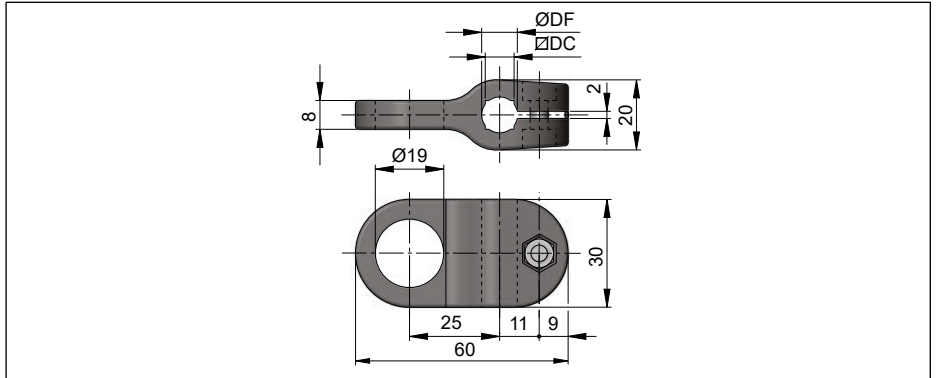
Specifications

Material	Reinforced polyamide
Nuts and bolts	Stainless steel

Ref.	ØDF	DC	Kg.	Box
8330663	20	18	0.22	20

Dimensions in mm

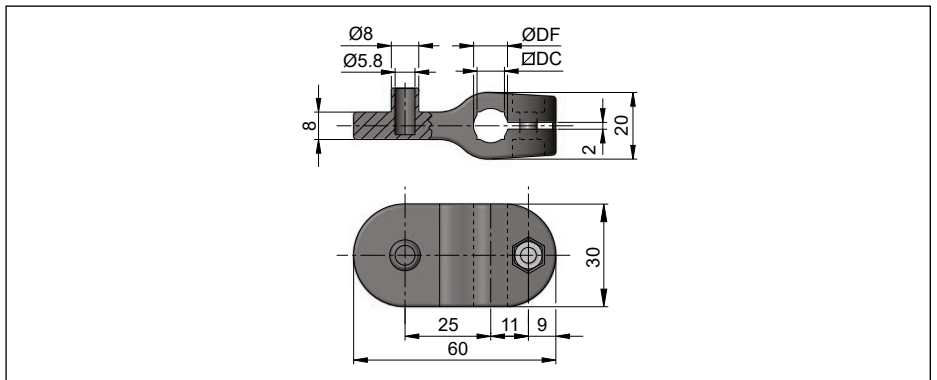




Specifications	
Material	Reinforced polyamide
Nuts and bolts	Stainless steel

Ref.	ØDF	DC	Kg.	Box
8330221	10	8	0.02	100
8330222	12	10	0.02	100
8330223	14	12	0.02	100

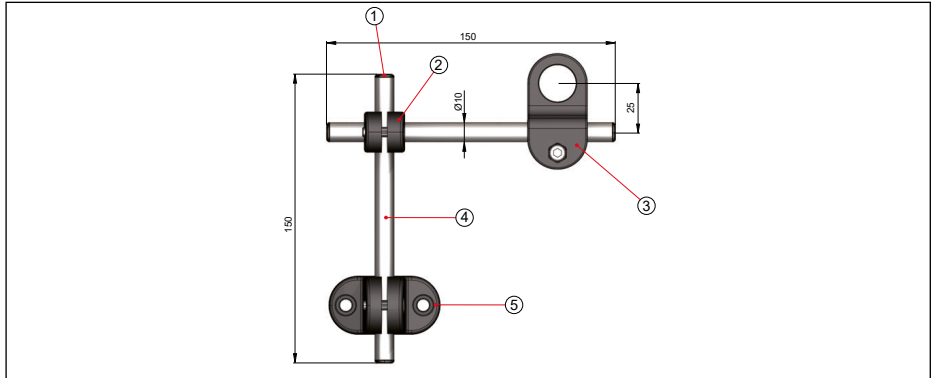
Dimensions in mm | Best seller



Specifications	
Material	Reinforced polyamide
Nuts and bolts	Stainless steel

Ref.	ØDF	DC	Kg.	Box
8330227	10	8	0.03	100
8330228	12	10	0.03	100
8330229	14	12	0.03	100

Dimensions in mm | Best seller



Specifications

Bracket material	Reinforced polyamide
Fastener and rod material	Stainless steel

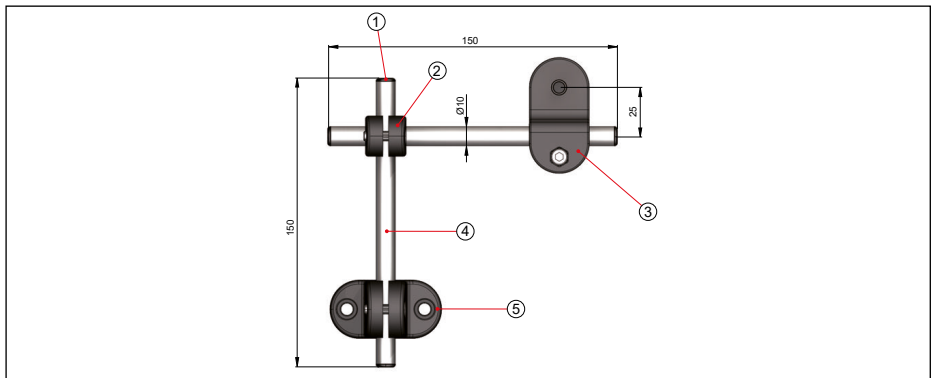
Parts included

1.	7640149 (4 units)
2.	8330187 (1 unit)
3.	8330221 (1 unit)
4.	7640710 (2 units)
5.	8330215 (1 unit)

Ref.	Kg.	Box
8390601	0.15	25

Dimensions in mm

COMPONENTS



Specifications

Bracket material	Reinforced polyamide
Fastener and rod material	Stainless steel

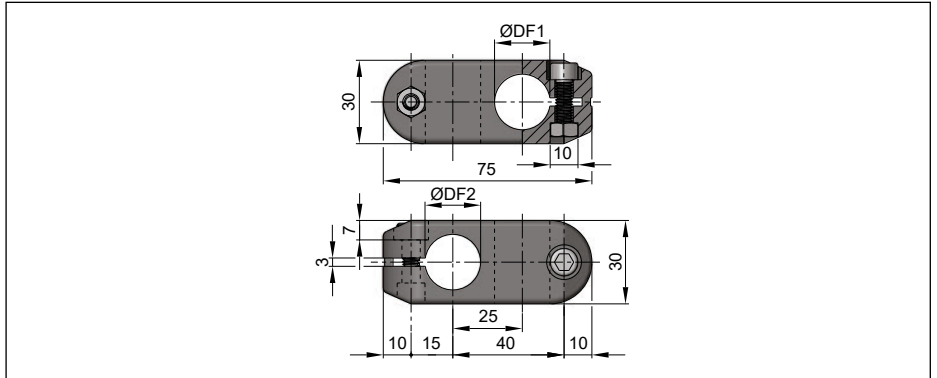
Parts included

1.	7640149 (4 units)
2.	8330187 (1 unit)
3.	8330227 (1 unit)
4.	7640710 (2 units)
5.	8330215 (1 unit)

Ref.	Kg.	Box
8390607	0.15	25

Dimensions in mm

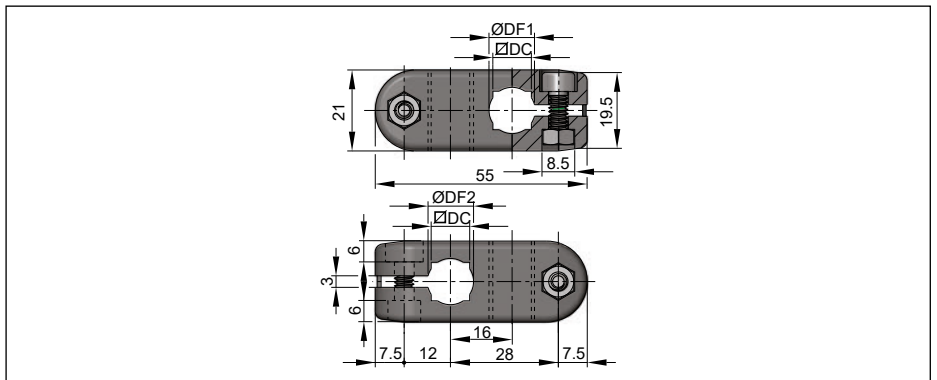




Specifications	
Material	Reinforced polyamide
Nuts and bolts material	Stainless steel

Ref.	ØDF1	ØDF2	Kg.	Box
8330194	14	14	0.07	50
8330195	14	15	0.07	50
8330196	14	16	0.07	50
8330197	15	15	0.07	50
8330198	15	16	0.07	50
8330199	16	16	0.07	50
8330201	18	18	0.07	50
8330202	20	20	0.07	50

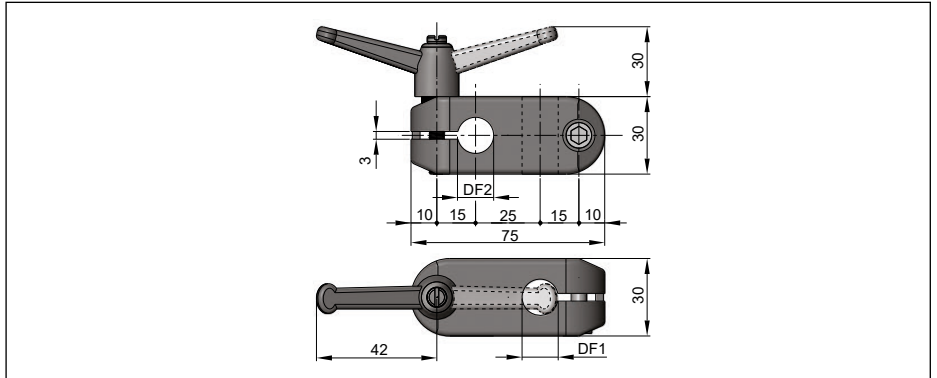
Dimensions in mm



Specifications	
Material	Reinforced polyamide
Nuts and bolts material	Stainless steel

Ref.	ØDF1	ØDF2	DC	Kg.	Box
8330187	10	10	8	0.03	100
8330189	12	12	10	0.03	100
8330191	14	14	12	0.03	100

Dimensions in mm | Best seller



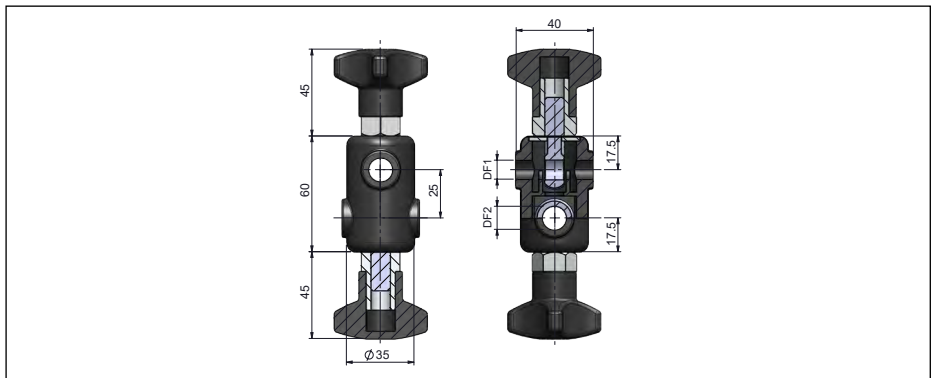
Specifications

Material	Reinforced polyamide
Nuts and bolts material	Stainless steel

Ref.	ØDF1	ØDF2	Kg.	Box
8330740	14	14	0.09	25
8330745	15	15	0.09	25
8330746	16	16	0.09	25
8330748	18	18	0.09	25
8330750	20	20	0.09	25

Dimensions in mm

COMPONENTS



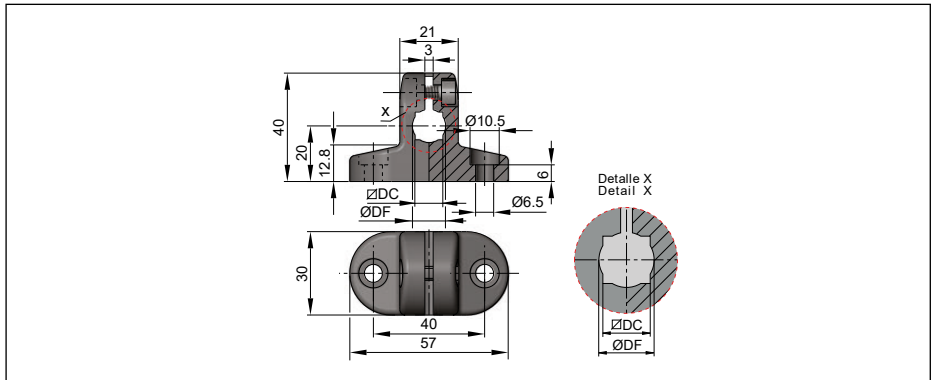
Specifications

Cross block material	Reinforced polyamide
Knob material	Reinforced polyamide
Bushing material	Nickel plated brass

REF.	ØDF1	ØDF2	Kg.	Box
8332501	12	12	0.22	25
8332503	14	14	0.22	25
8332505	15	15	0.22	25
8332510	16	16	0.22	25

Dimensions in mm

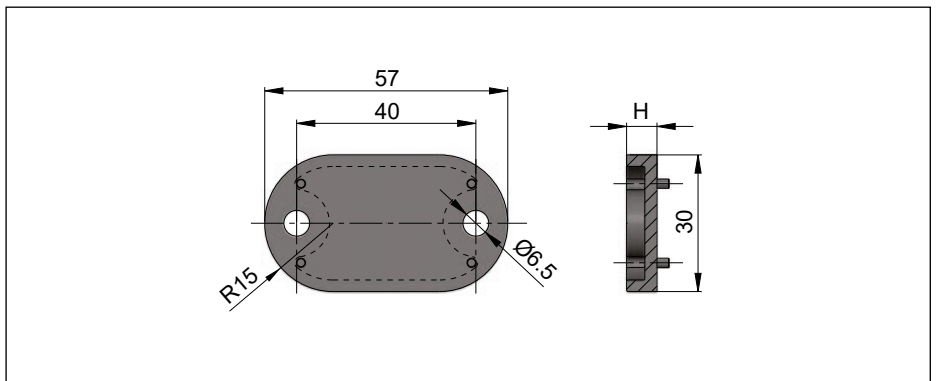




Specifications	
Material	Reinforced polyamide
Nuts and bolts material	Stainless steel

Ref.	ØDF1	DC	Kg.	Box
8330215	10	8	0.03	75
8330216	12	10	0.03	75
8330217	14	12	0.03	75

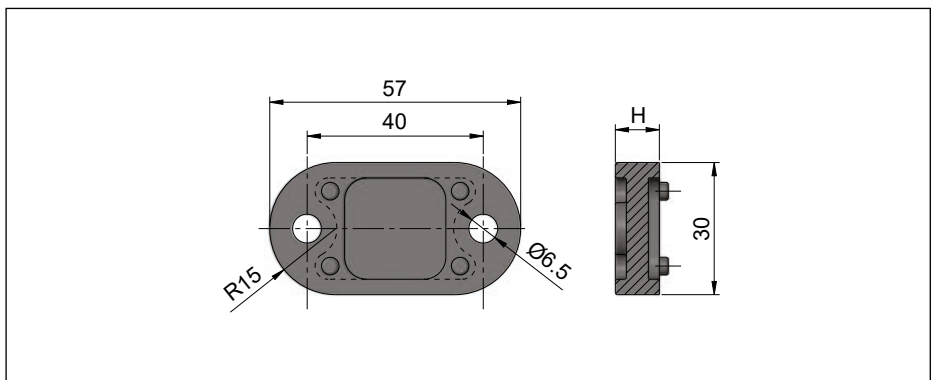
Dimensions in mm | Best seller



Specifications	
Spacer material	Reinforced polyamide
To use with cross blocks	
8330215	8330216 8330217

Ref.	H	Kg.	Box
8330890	4	0.01	200
8330895	6	0.02	200

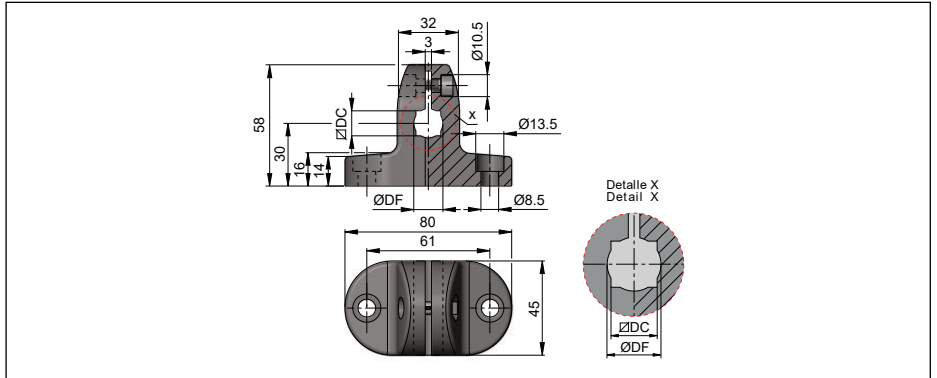
Dimensions in mm



Specifications	
Spacer material	Reinforced polyamide
To use with cross blocks	
8330215	8330216 8330217

Ref.	H	Kg.	Box
8330896	8	0.02	150
8330897	10	0.02	150
8330899	12	0.02	150

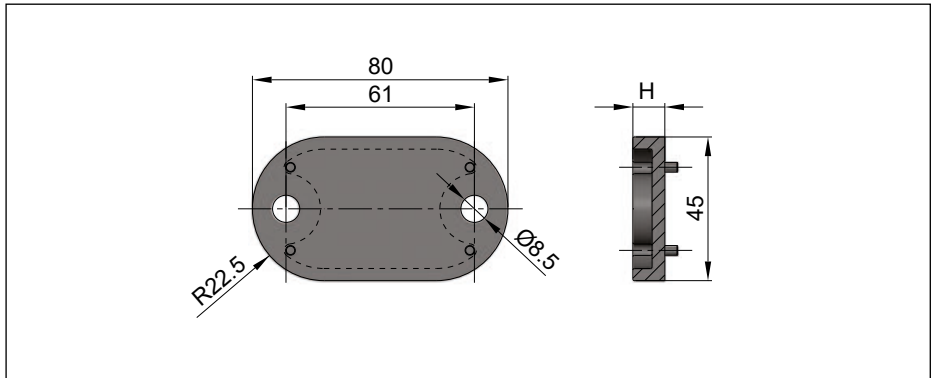
Dimensions in mm



Specifications	
Material	Reinforced polyamide
Nuts and bolts material	Stainless steel

Ref.	ØDF1	DC	Kg.	Box
8330270	14	12	0.09	20
8330271	16	14	0.09	20
8330273	18	16	0.09	20
8330275	20	18	0.09	20

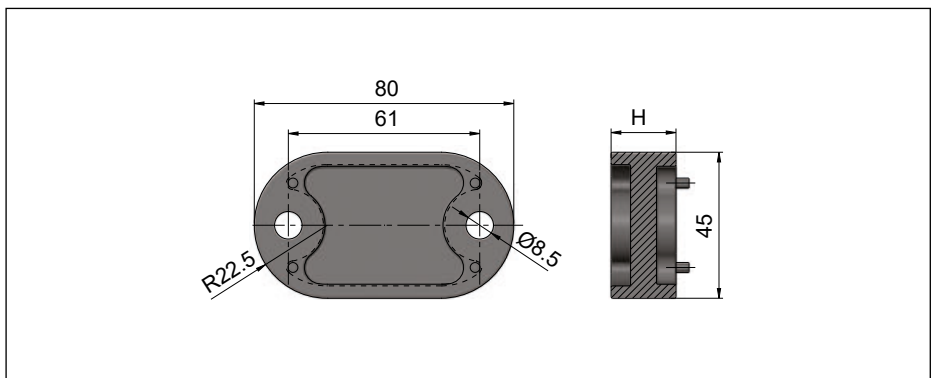
Dimensions in mm



Specifications	
Spacer material	Reinforced polyamide
To use with cross blocks	
8330270	8330271 8330273 8330275

Ref.	H	Kg.	Box
8330901	10	0.03	60

Dimensions in mm



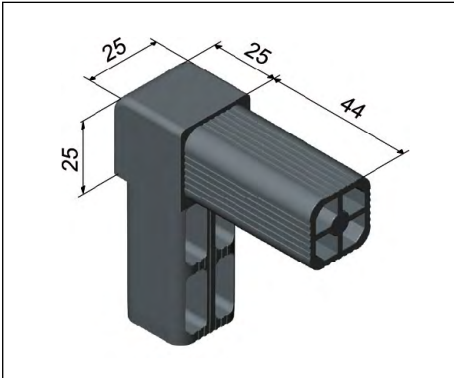
Specifications	
Spacer material	Reinforced polyamide
To use with cross blocks	
8330270	8330271 8330273 8330275

Ref.	H	Kg.	Box
8330905	20	0.06	40

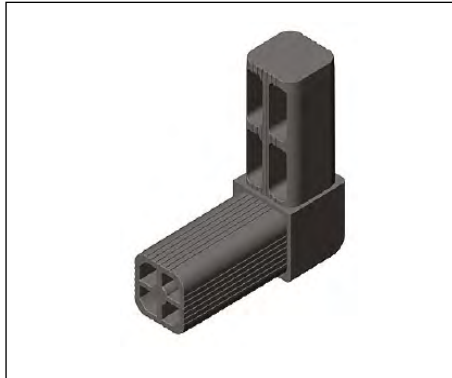
Dimensions in mm

COMPONENTS

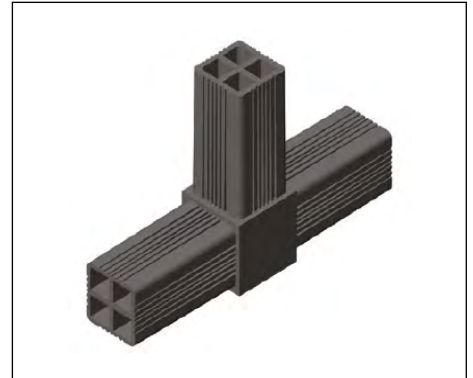




Specifications	
Material	Reinforced polyamide
Tube size	25 x 25 x 1.5mm



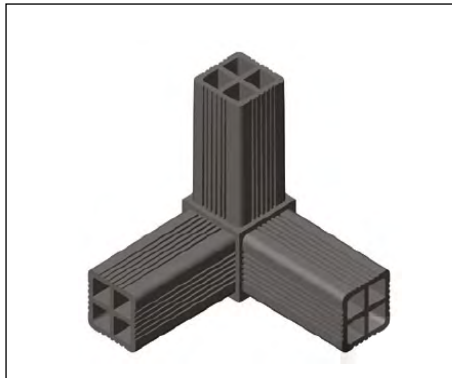
Ref.	Type	Kg.	Box
7640001	A	0.05	40



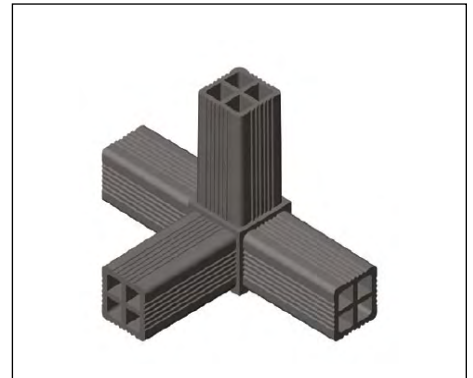
Ref.	Type	Kg.	Box
7640002	B	0.07	40



Ref.	Type	Kg.	Box
7640003	C	0.09	20



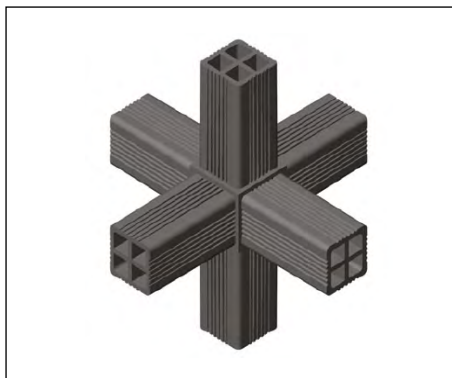
Ref.	Type	Kg.	Box
7640004	D	0.07	20



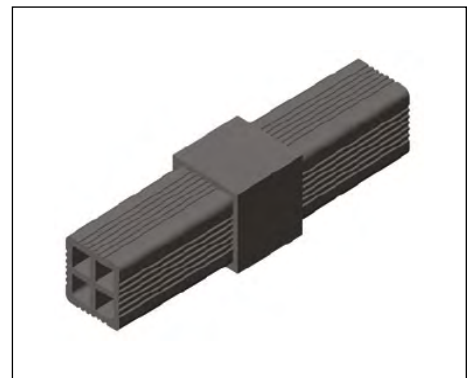
Ref.	Type	Kg.	Box
7640005	E	0.09	20



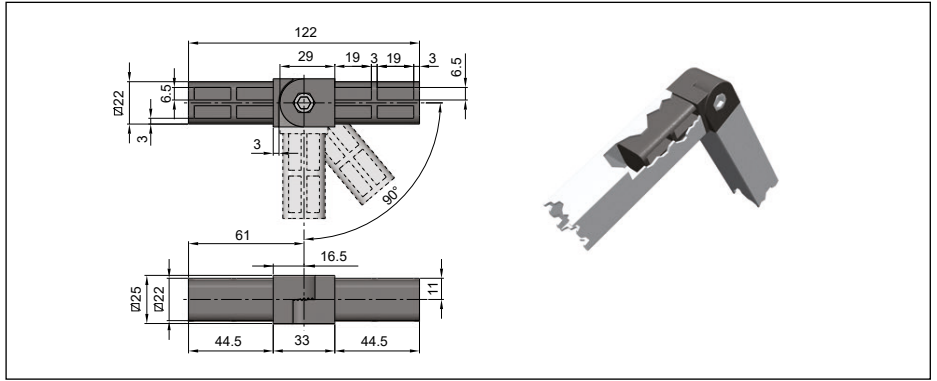
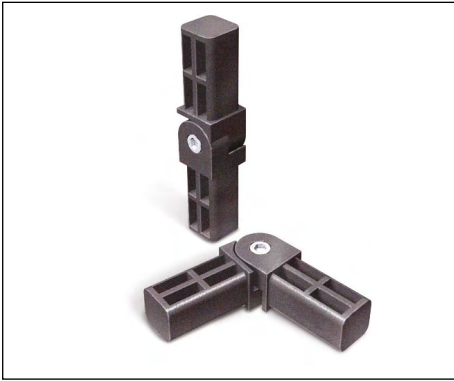
Ref.	Type	Kg.	Box
7640006	F	0.11	25



Ref.	Type	Kg.	Box
7640007	G	0.13	10



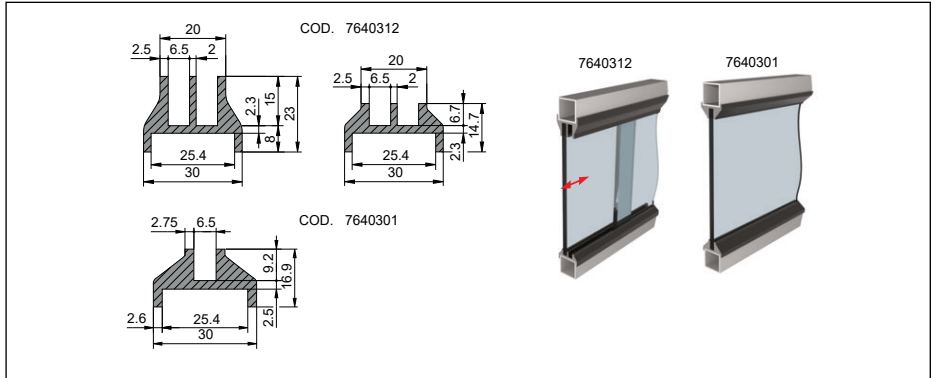
Ref.	Type	Kg.	Box
7640008	H	0.05	50



Specifications	
Material	Reinforced polyamide
Nuts and bolts material	Stainless steel
Tube size	25 x 25 x 1.5mm

Ref.	Type	Kg.	Box
7645101	AT	0.12	30

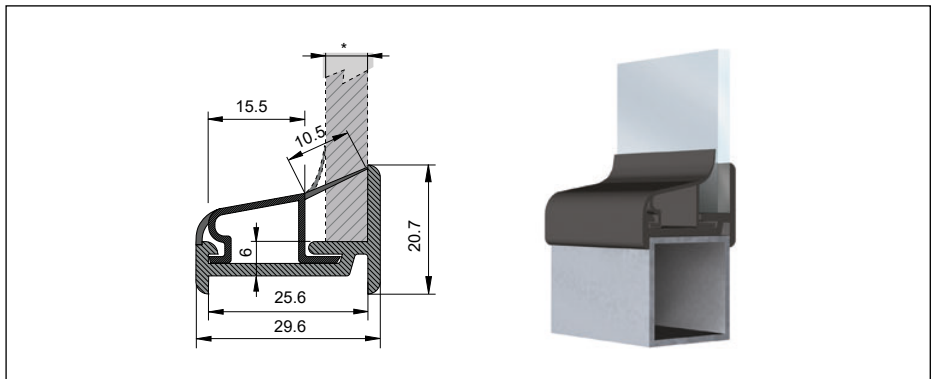
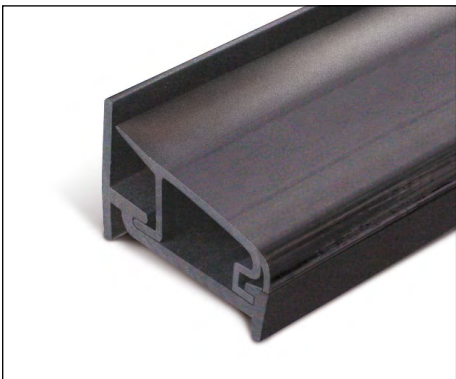
Dimensions in mm



Specifications	
Runner material	Polyethylene

Ref.	L	Box
7640312	2	0.85
7640301	2	0.53

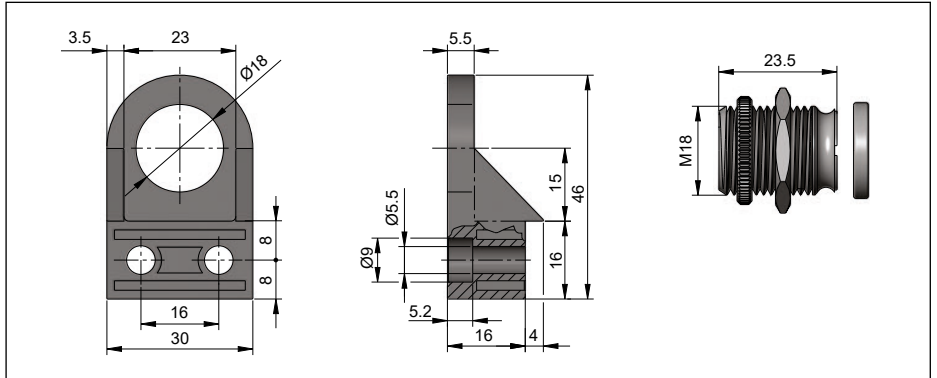
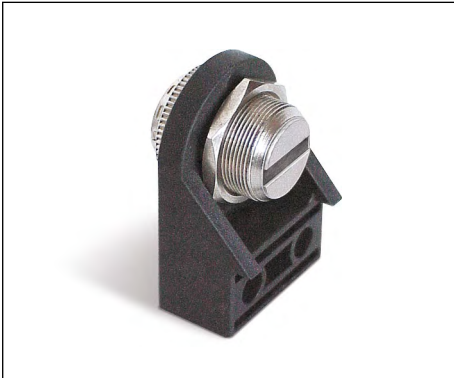
Dimensions in mm | L dimensions in meters



Specifications	
Profile material	Rigid and flexible PVC

Ref.	Material	H	L	Kg.
7640315	5 < * > 8	3	0.27	50

Dimensions in mm

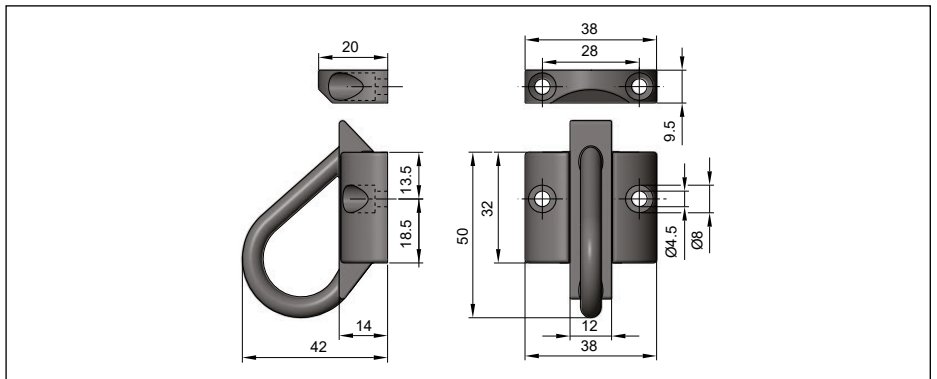


Specifications

Material Reinforced polyamide + regulable magnet

Ref.	Kg.	Box
1411052	0.06	50

Dimensions in mm

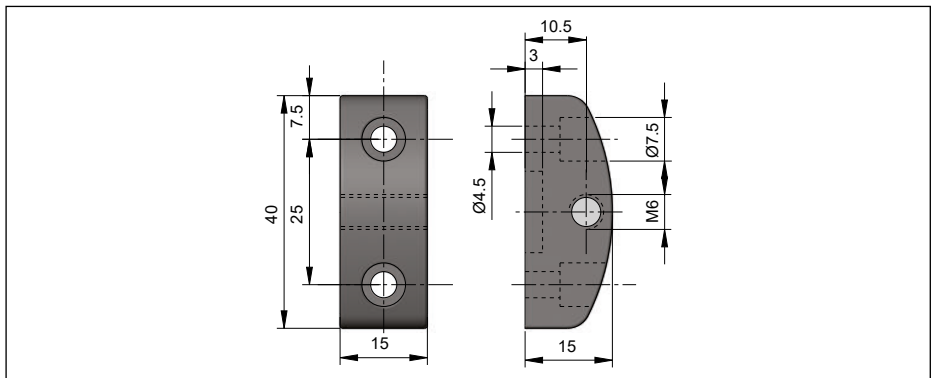


Specifications

Lock material Reinforced polyamide

Ref.	Kg.	Box
7640059	0.01	25

Dimensions in mm



Specifications

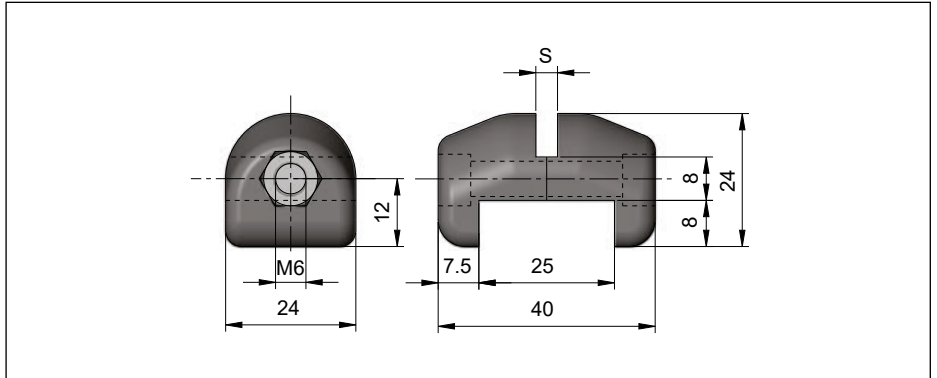
Lock material Reinforced polyamide

Ref.	Kg.	Box
7640060	0.01	300

Dimensions in mm

COMPONENTS

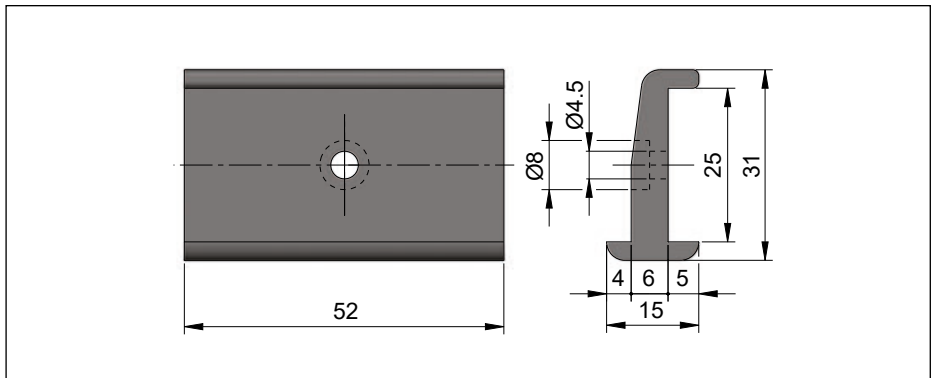
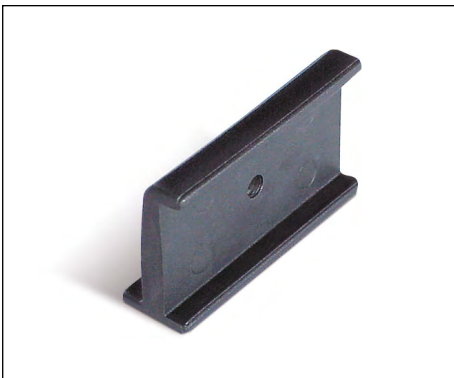




Specifications	
Bracket material	Reinforced polyamide
Bolts and nuts	Stainless steel

Ref.	S	Kg.	Box
7640051	4	0.03	150
7640052	5	0.03	150
7640053	6	0.03	150

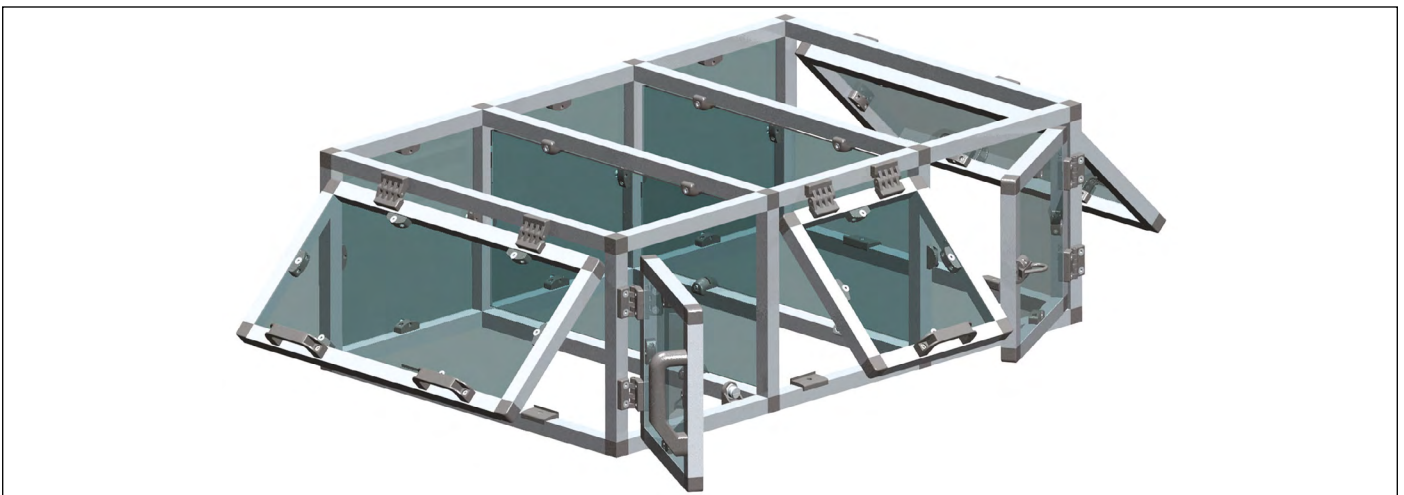
Dimensions in mm

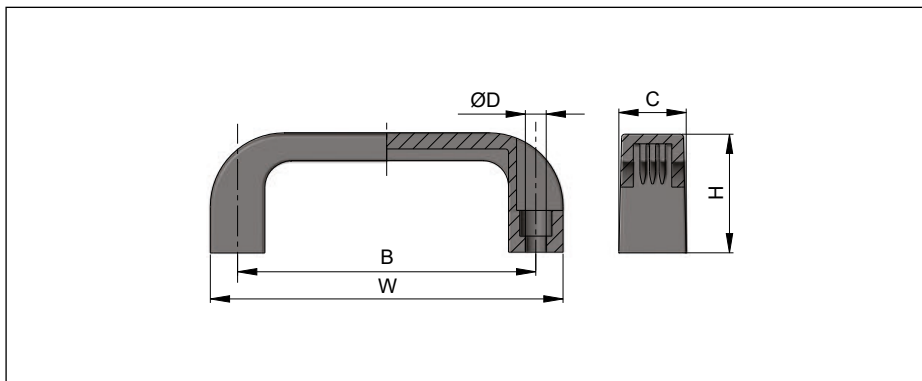


Specifications	
Bracket material	Reinforced polyamide

Ref.	Kg.	Box
7640501	0.01	150

Example of application



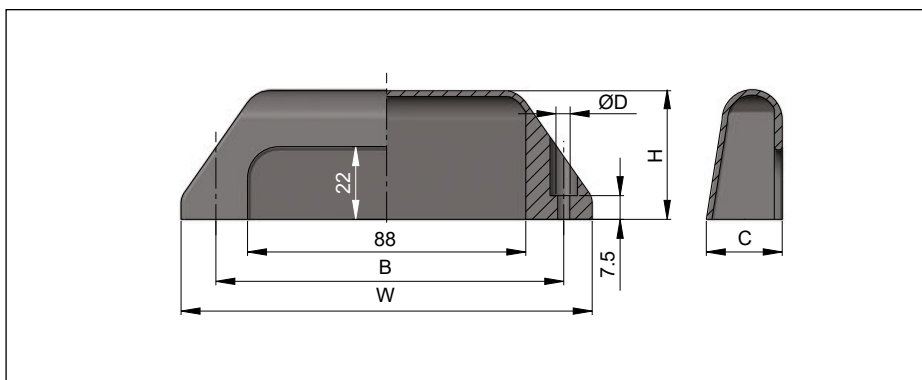


Specifications

Handle material Reinforced polyamide

Ref.	B	W	C	ØD	H	Kg.	Box
7809010	94	110	21	Ø 6.5	37	0.04	50
7809011	116	133	24	Ø 9.0	40	0.06	40
⊕ 7809012	120	139	24	Ø 8.5	40	0.08	25
7809013	117	140	24	Ø 8.5	40	0.08	25
7809014	132	149	24	Ø 9.0	40	0.09	25

Dimensions in mm | ⊕ Best seller

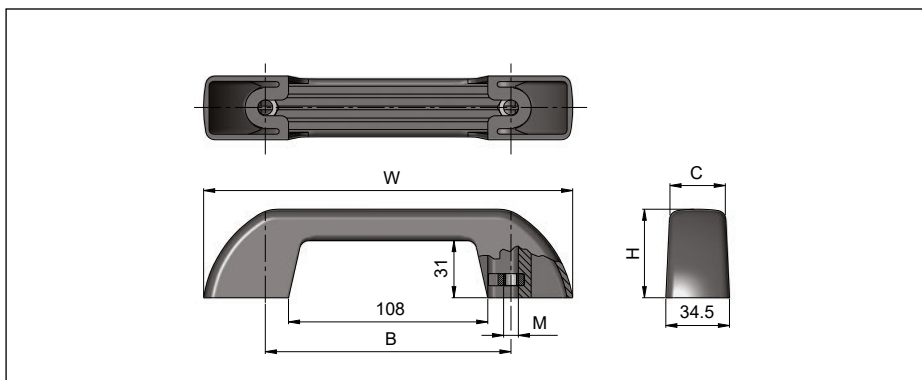


Specifications

Handle material Reinforced polyamide

Ref.	B	W	C	ØD	H	Kg.	Box
⊕ 7809410	109	130	24	Ø 6.3	41	0.06	25

Dimensions in mm | ⊕ Best seller



Specifications

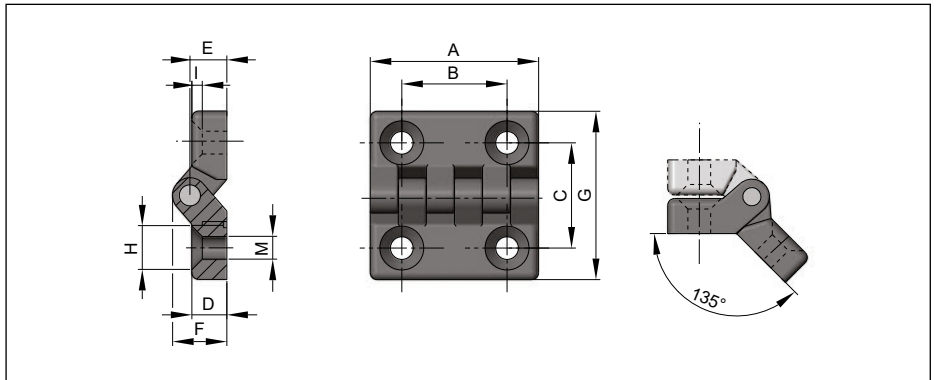
Handle material Reinforced polyamide

Ref.	B	W	C	H	M	Kg.	Box
7809310	133	200	30	48	M8	0.11	10

Dimensions in mm

COMPONENTS



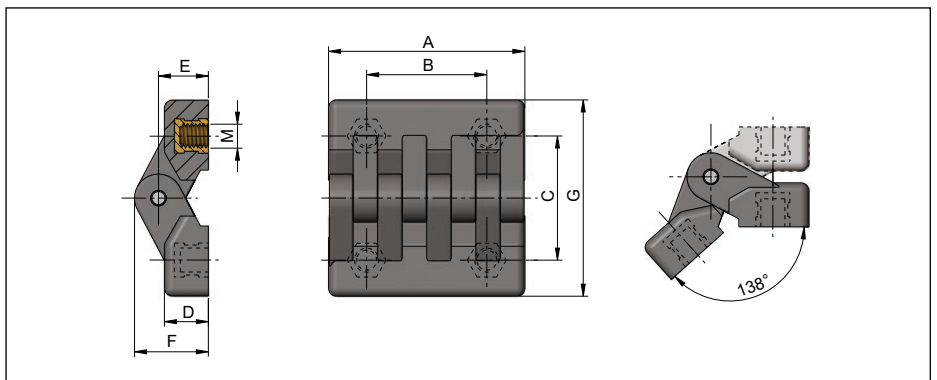
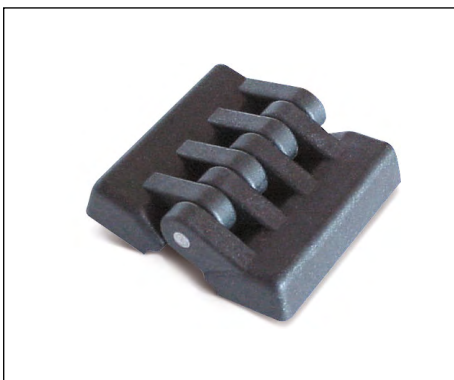


Specifications

Hinge material	Reinforced polyamide
Pin material	Zinc plated steel

Ref.	A	B	C	D	E	F	G	H	I	M	F1	F2	Kg.	Box
											(Nw)	(Nw)		
7810129	48	30	30	10	10	15	48	Ø 13.5	3	Ø 6.5	1800	700	0.03	100
7810130	64	40	40	13	13	19	64	Ø 13.5	3	Ø 6.5	3200	1700	0.06	50
7810131	96	60	63	16	17	24	96	Ø 16.0	4.6	Ø 8.0	4900	2000	0.15	40

Dimensions in mm

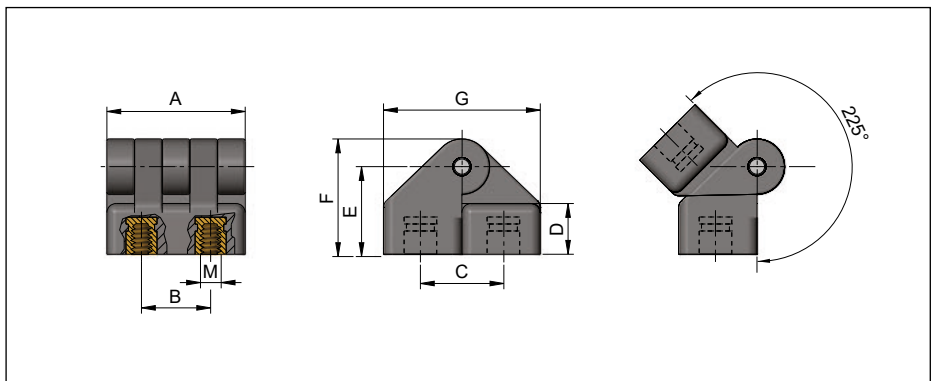


Specifications

Hinge material	Reinforced polyamide
Pin material	Zinc plated steel
Bushings material	Brass

Ref.	A	B	C	D	E	F	G	M	F1	F2	Kg.	Box
									(Nw)	(Nw)		
7640208	49	30	32	11	13	19	49	M5	3200	1700	0.06	75
7640209	49	30	32	11	13	19	49	M6	3200	1700	0.06	75

Dimensions in mm

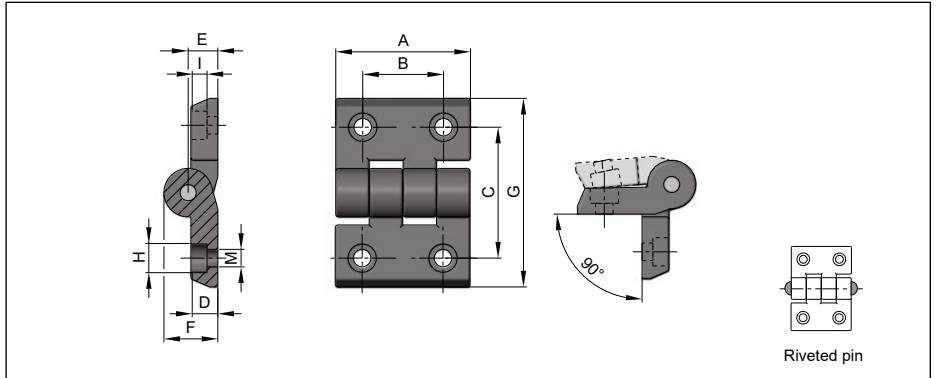


Specifications

Hinge material	Reinforced polyamide
Pin material	Zinc plated steel
Bushings material	Brass

Ref.	A	B	C	D	E	F	G	M	F1	F2	Kg.	Box
									(Nw)	(Nw)		
7810110	30	15	18	11	19	25	36	M5	1800	700	0.04	150
7810111	54	30	21	13	22	29	42	M6	3200	1700	0.05	50
7810112	78	42	31	16	29	40	62	M8	4900	2000	0.06	20

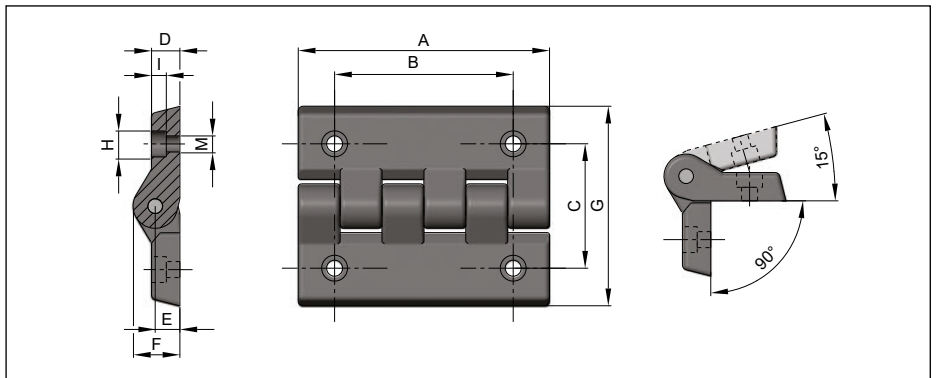
Dimensions in mm



Specifications	
Hinge material	Reinforced polyamide
Pin material	Stainless steel

Ref.	A	B	C	D	E	F	G	H	I	M	F1	F2	Kg.	Box
											(Nw)	(Nw)		
7810210	50	30	46	10	11	20	70	∅ 10.5	6	∅ 6.5	1800	700	0.04	50
7810211*	50	30	46	10	11	20	70	∅ 10.5	6	∅ 6.5	1800	700	0.04	50
7810212	50	30	46	10	11	20	70	∅ 13.5	6	∅ 8.5	1800	700	0.04	50

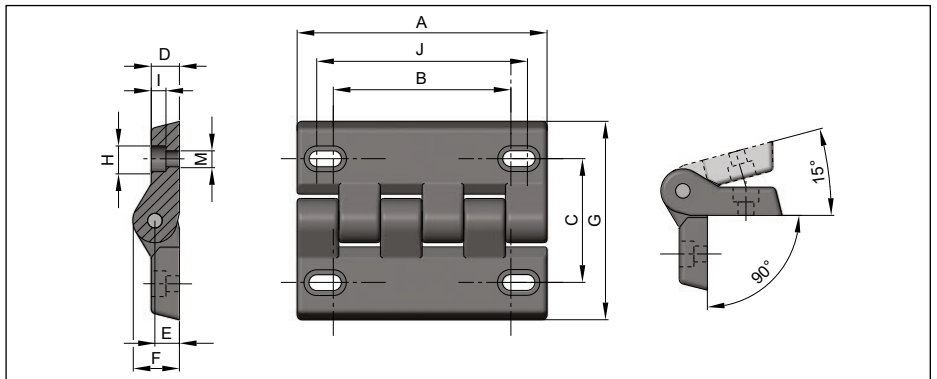
Dimensions in mm | *Riveted pin | **Best seller**



Specifications	
Hinge material	Reinforced polyamide
Pin material	Stainless steel

Ref.	A	B	C	D	E	F	G	H	I	M	F1	F2	Kg.	Box
											(Nw)	(Nw)		
7810220	120	72.5	49.5	11.5	10.5	19	80	∅ 10.5	6	∅ 6.5	4300	1800	0.1	25
7810221	120	72.5	49.5	11.5	10.5	19	80	∅ 13.5	8	∅ 8.5	4300	1800	0.1	25

Dimensions in mm



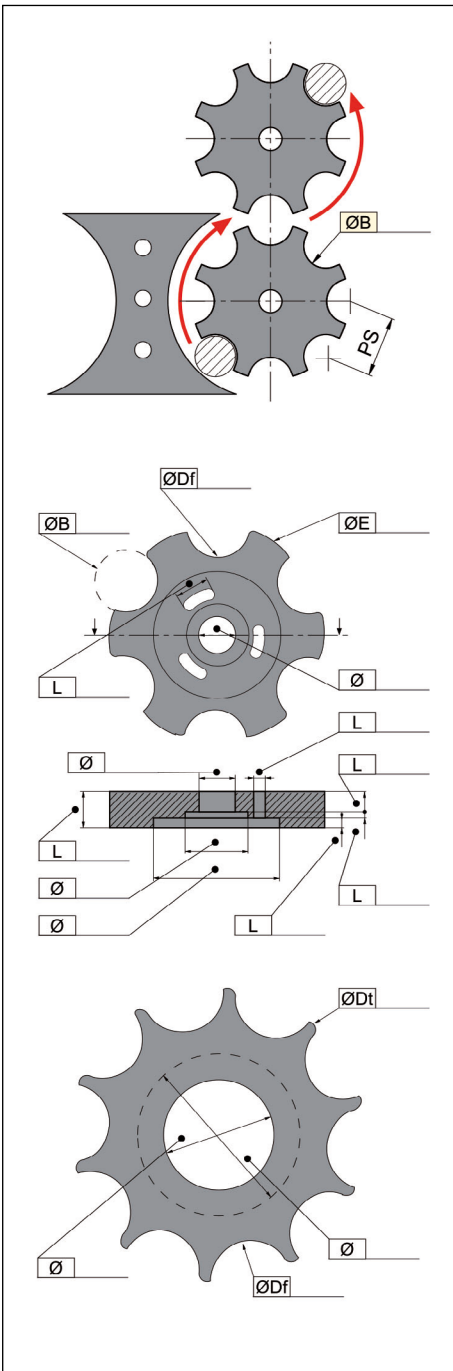
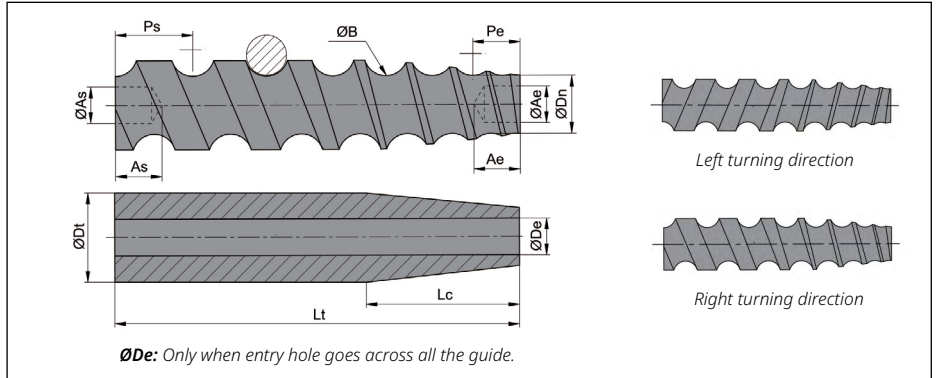
Specifications	
Hinge material	Reinforced polyamide
Pin material	Stainless steel

Ref.	A	B	C	D	E	F	G	H	I	J	M	F1	F2	Kg.	Box
												(Nw)	(Nw)		
7810903	102	72.5	49.5	11.5	11.5	19	80	∅ 12.5	6	85	∅ 6.5	4300	1800	0.11	25

Dimensions in mm | **Best seller**

COMPONENTS





If you indicate the data that we request as follows, we can manufacture the stars and endless guides according to your needs.

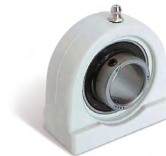
NOTE		REMEMBER	
Entry pitch	bottle diameter	E	number of endless guide entries
Exit pitch	star pitch	Np	number of passes or turns
ØB	bottle diameter + 5 mm	Direction	Screw thread direction (right thread in diagram)

The following details are required for manufacture

ØAe	Entry side hole.
ØAs	Exit side hole.
ØB	Biottle diameter
ØDe*	Shaft diameter
ØDt	Total diameter.
ØDn	Core diameter.
ØDf	Rear diameter
E	Maximun diameter
G°	Entry cone degrees.
L	Length.
Lc	Entry cone length.
Lt	Total length.
Pe	Entry pitch.
Ps	Exit pitch.
R	Tool radius.

Deslidur material colour

UCF p. 190 UFL p. 191 UCP p. 192 UCP p. 193 UCPA p. 194 UCPA p. 195



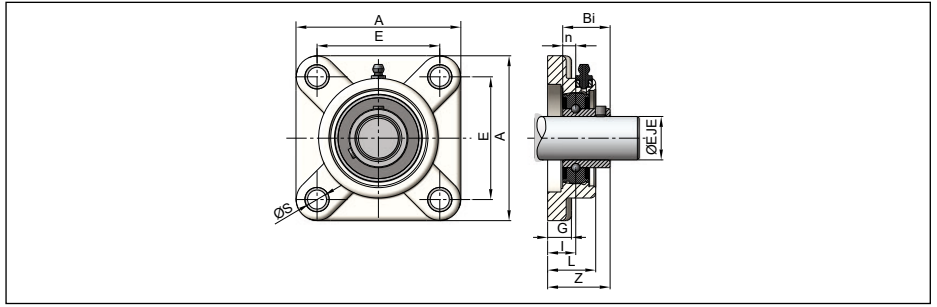
UCHP p. 196 UCHP p. 197 UCH p. 198 UCH p. 199 SQL p. 200 UFL-M p. 202



UCF p. 205 UFL p. 205 UCP p. 205 UCF/R p. 206



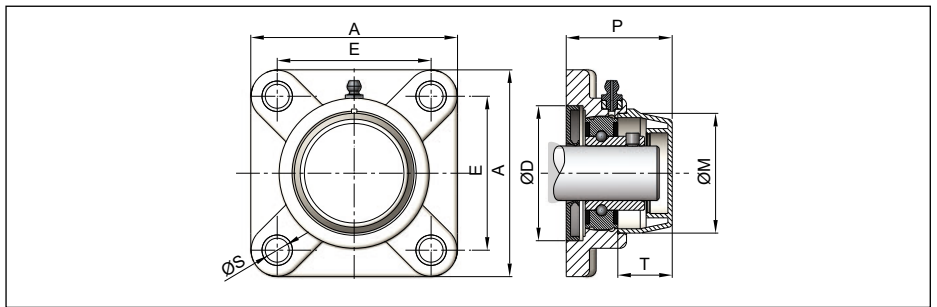
Square support UCF



Ref.	Shaft	A	E	G	L	ØS	Z	I	Bi	n	Kg.	Box
312120	Ø 20	86	63.5	14	27.8	11	36.25	18	24.7	12.7	0.3	10
312125	Ø 25	95	70	14	28	11	36.7	17	29.3	14.3	0.35	10
312130	Ø 30	107	83	14	31.5	11	41.4	19.2	32.9	15.9	0.5	5
312135	Ø 35	118	92	17	34.8	13	43.9	21.5	36.4	17.5	0.75	4
312140	Ø 40	130	102	17	37.5	14	48.7	23	40.5	19	0.95	4

Support material: special PP • Bearings material: steel • Bushings material: stainless steel | Dimensions in mm | Best seller

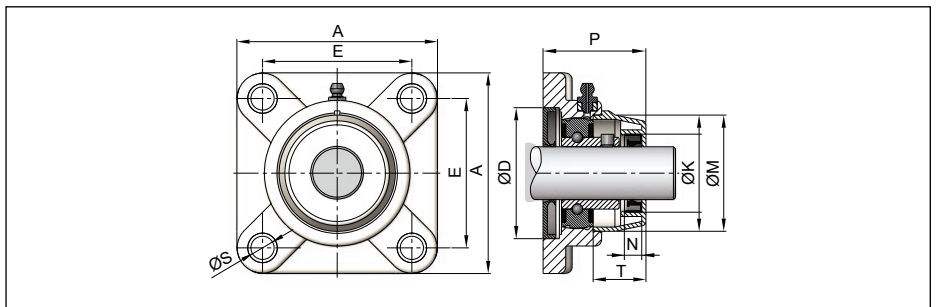
Square support with closed cover UCF



Ref.	Shaft	A	E	G	P	L	ØS	Z	I	Bi	n	ØM	T	ØD	ØK	N	Kg.	Box
312120C	Ø 20	86	63.5	14	48	27.8	11	36.25	18	24.7	12.7	49.8	23	52.2	-	-	0.35	10
312125C	Ø 25	95	70	14	49.8	28	11	36.7	17	29.3	14.3	54.8	25	62.2	-	-	0.4	5
312130C	Ø 30	107	83	14	58.3	31.5	11	41.4	19.2	32.9	15.9	63.8	30	72.2	-	-	0.55	5
312135C	Ø 35	118	92	17	63.1	34.8	13	43.9	21.5	36.4	17.5	74.3	32	82.2	-	-	0.8	4
312140C	Ø 40	130	102	17	71.1	37.5	14	48.7	23	40.5	19	83.8	37	88.2	-	-	1	4

Support material: special PP • Bearings material: steel • Bushings material: stainless steel | Dimensions in mm

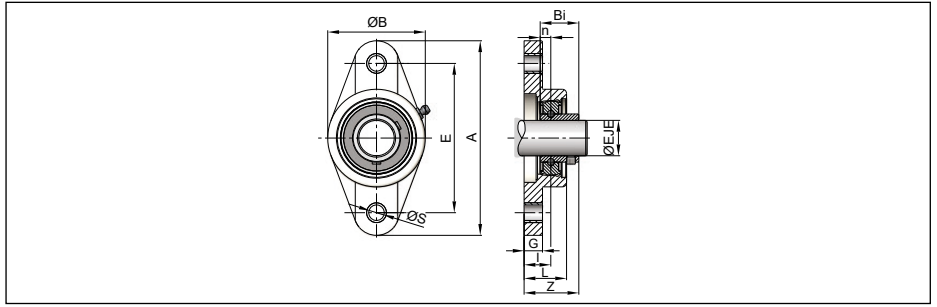
Square support with open cover UCF



Ref.	Shaft	A	E	G	P	L	ØS	Z	I	Bi	n	ØM	T	ØD	ØK	N	Kg.	Box
312120A	Ø 20	86	63.5	14	48	27.8	11	36.25	18	24.7	12.7	49.8	23	52.2	33	7.3	0.35	10
312125A	Ø 25	95	70	14	49.8	28	11	36.7	17	29.3	14.3	54.8	25	62.2	38	7.3	0.4	5
312130A	Ø 30	107	83	14	58.3	31.5	11	41.4	19.2	32.9	15.9	63.8	30	72.2	43	7.3	0.55	5
312135A	Ø 35	118	92	17	63.1	34.8	13	43.9	21.5	36.4	17.5	74.3	32	82.2	48	7.3	0.8	4
312140A	Ø 40	130	102	17	71.1	37.5	14	48.7	23	40.5	19	83.8	37	88.2	53	7.3	1	4

Support material: special PP • Bearings material: steel • Bushings material: stainless steel | Dimensions in mm

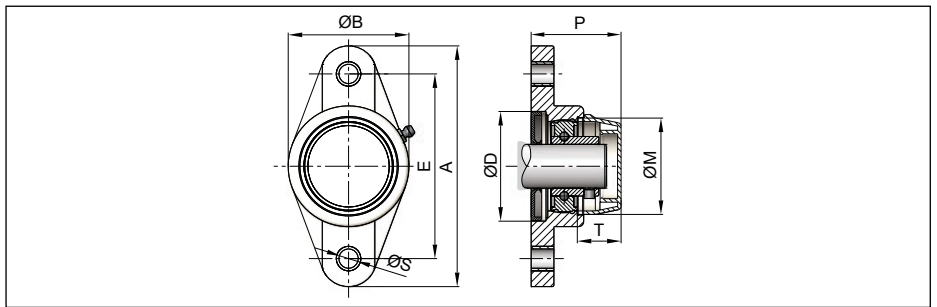
Oval support UFL



Ref.	Shaft	A	E	G	L	ØS	Z	I	Bi	n	ØB	Kg.	Box
324120	Ø 20	113.4	90	15	29	11	32.9	15.4	24.7	7	63.4	0.25	10
⊕ 324125	Ø 25	131.5	99	15.5	29.1	11	36.25	17	27	7.5	69.6	0.3	10
⊕ 324130	Ø 30	148.5	117	15.5	33	11	40.45	19	30.3	8	80.2	0.45	5
324135	Ø 35	164.5	130	18.5	32.8	13	41.25	18	32.9	8.5	91.2	0.65	5
324140	Ø 40	176.5	144	21.5	37.5	14	45.75	21.5	35.5	9	101.4	0.9	4

Support material: special PP • Bearings material: steel • Bushings material: stainless steel | Dimensions in mm | ⊕ Best seller

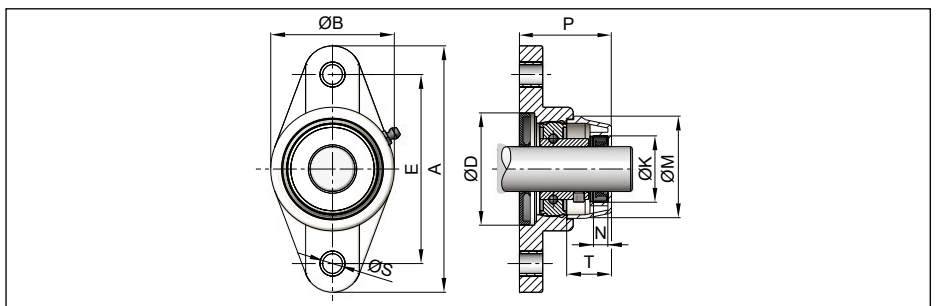
Oval support with closed cover UFL



Ref.	Shaft	A	E	G	P	L	ØS	Z	I	Bi	n	ØB	ØM	T	ØD	ØK	N	Kg.	Box
324120C	Ø 20	113.4	90	15	46.7	29	11	32.9	15.4	24.7	7	63.4	49.8	23	52.2	-	-	0.3	10
324125C	Ø 25	131.5	99	15.5	50.8	29.1	11	36.25	17	27	7.5	69.6	54.8	25	62.2	-	-	0.35	5
324130C	Ø 30	148.5	117	15.5	58.3	33	11	40.45	19	30.3	8	80.2	63.8	30	72.2	-	-	0.5	5
324135C	Ø 35	164.5	130	18.5	61.1	32.8	13	41.25	18	32.9	8.5	91.2	74.3	32	82.2	-	-	0.7	5
324140C	Ø 40	176.5	144	21.5	71.1	37.5	14	45.75	21.5	35.5	9	101.4	83.8	37	88.2	-	-	0.95	4

Support material: special PP • Bearings material: steel • Bushings material: stainless steel | Dimensions in mm

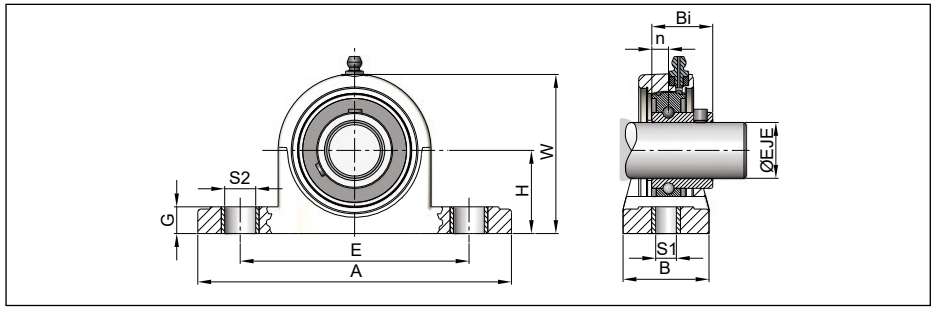
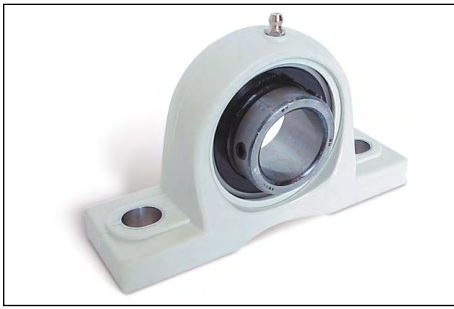
Oval support with open cover UFL



Ref.	Shaft	A	E	G	P	L	ØS	Z	I	Bi	n	ØB	ØM	T	ØD	ØK	N	Kg.	Box
324120A	Ø 20	113.4	90	15	46.7	29	11	32.9	15.4	24.7	7	63.4	49.8	23	52.2	33	7.3	0.3	10
324125A	Ø 25	131.5	99	15.5	50.8	29.1	11	36.25	17	27	7.5	69.6	54.8	25	62.2	38	7.3	0.35	5
324130A	Ø 30	148.5	117	15.5	58.3	33	11	40.45	19	30.3	8	80.2	63.8	30	72.2	43	7.3	0.5	5
324135A	Ø 35	164.5	130	18.5	61.1	32.8	13	41.25	18	32.9	8.5	91.2	74.3	32	82.2	48	7.3	0.7	5
324140A	Ø 40	176.5	144	21.5	71.1	37.5	14	45.75	21.5	35.5	9	101.4	83.8	37	88.2	53	7.3	0.95	4

Support material: special PP • Bearings material: steel • Bushings material: stainless steel | Dimensions in mm

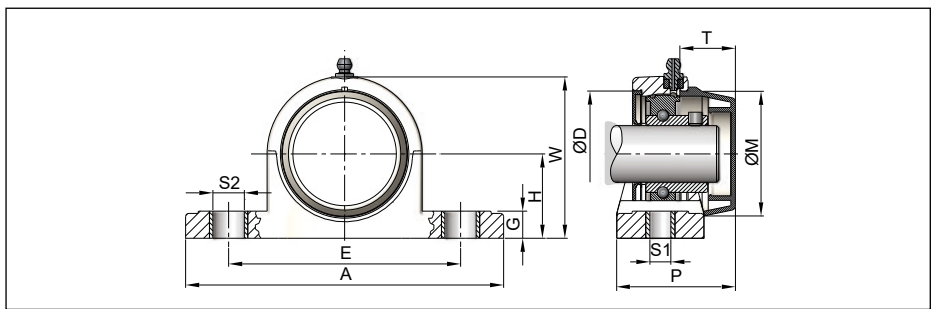
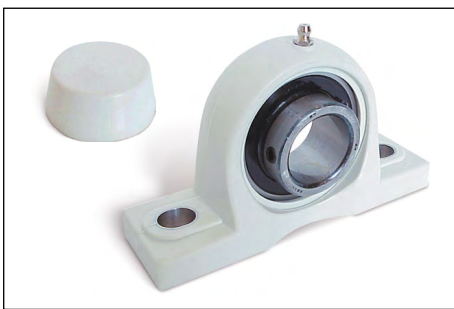
Omega support UCP



Ref.	Shaft	H	A	E	B	S1	S2	G	W	Bi	n	Kg.	Box
336120	Ø 20	34.8	127.1	95	38.1	11	14	16	65.5	24.7	7	0.3	10
336125	Ø 25	38	140.6	105	38.1	11	14	16	72.5	27	7.5	0.35	10
336130	Ø 30	44.4	163	119	46.1	14	18	21	85.5	30.3	8	0.55	5
336135	Ø 35	49.1	168	127	48.1	14	18	21	96	32.9	8.5	0.8	4
336140	Ø 40	50.7	183.4	137	54.1	14	18	21	100.5	35.5	9	1	4

Support material: special PP • Bearings material: steel • Bushings material: stainless steel | Dimensions in mm

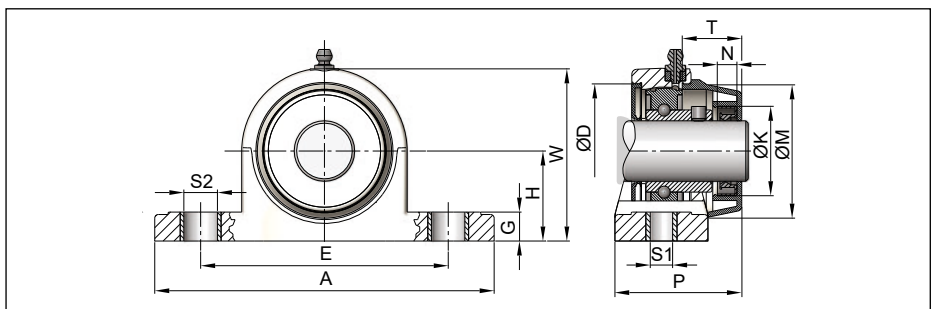
Omega support with closed cover UCP



Ref.	Shaft	P	H	A	E	B	S1	S2	G	W	Bi	n	ØD	T	ØD	ØK	N	Kg.	Box
336120C	Ø 20	52	34.8	127	95	38.1	11	14	16	65.5	24.7	7	49.8	23	52.2	-	-	0.35	10
336125C	Ø 25	54.6	38	140.5	105	38.1	11	14	16	72.5	27	7.5	54.8	25	62.2	-	-	0.4	5
336130C	Ø 30	64.2	44.4	163	119	46.1	14	18	21	85.5	30.3	8	63.8	30	72.2	-	-	0.6	5
336135C	Ø 35	68.3	49.1	168	127	48.1	14	18	21	96	32.9	8.5	74.3	32	82.2	-	-	0.85	4
336140C	Ø 40	78.5	50.7	183.4	137	54.1	14	18	21	100.5	35.5	9	83.8	37	88.2	-	-	1.05	4

Support material: special PP • Bearings material: steel • Bushings material: stainless steel | Dimensions in mm

Omega support with open cover UCP



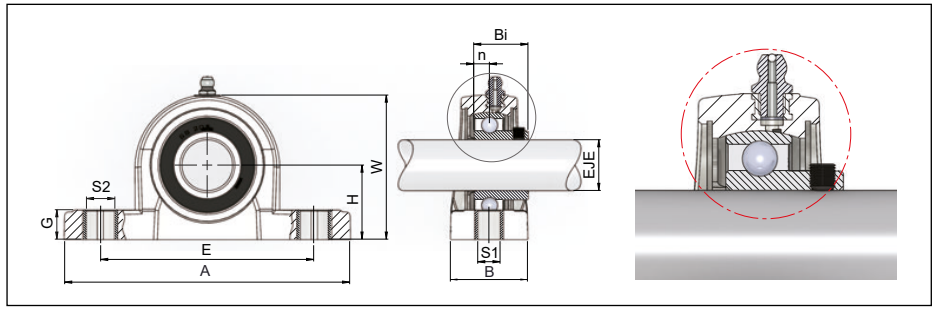
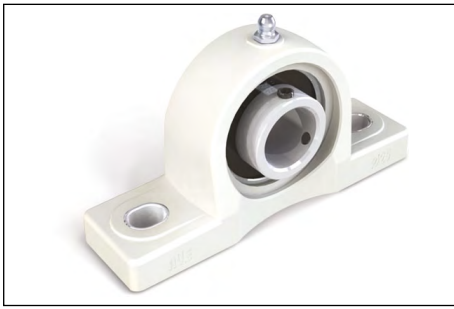
Ref.	Shaft	P	H	A	E	B	S1	S2	G	W	Bi	n	ØD	T	ØD	ØK	N	Kg.	Box
336120A	Ø 20	52	34.8	127	95	38.1	11	14	16	65.5	24.7	7	49.8	23	52.2	33	7.3	0.35	10
336125A	Ø 25	54.6	38	140.5	105	38.1	11	14	16	72.5	27	7.5	54.8	25	62.2	38	7.3	0.4	5
336130A	Ø 30	64.2	44.4	163	119	46.1	14	18	21	85.5	30.3	8	63.8	30	72.2	43	7.3	0.6	5
336135A	Ø 35	68.3	49.1	168	127	48.1	14	18	21	96	32.9	8.5	74.3	32	82.2	48	7.3	0.85	4
336140A	Ø 40	78.5	50.7	183.4	137	54.1	14	18	21	100.5	35.5	9	83.8	37	88.2	53	7.3	1.05	4

Support material: special PP • Bearings material: steel • Bushings material: stainless steel | Dimensions in mm

BEARING SUPPORT



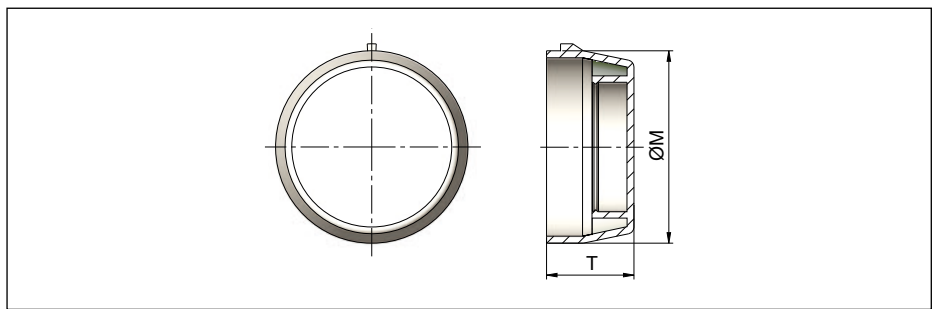
Omega support version with two covers and seal UCP



Ref.	Shaft	H	A	E	B	S1	S2	G	W	Bi	n	Kg.	Box
3361 DC 20	Ø 20	34.8	127	95	38	11	14	16	65.5	24.7	7	0.3	10
3361 DC 25	Ø 25	38	140.5	105	38	11	14	16	72.5	27	7.5	0.35	10
3361 DC 30	Ø 30	44.4	163	119	46	14	18	21	85.5	30.3	8	0.55	5
3361 DC 35	Ø 35	49.1	168	127	48	14	18	21	96	32.9	8.5	0.8	4
3361 DC 40	Ø 40	50.7	183.4	137	54	14	18	21	100.5	35.5	9	1	4

Support material: special PP • Bearings material: steel • Bushings material: stainless steel | Dimensions in mm

Close cover

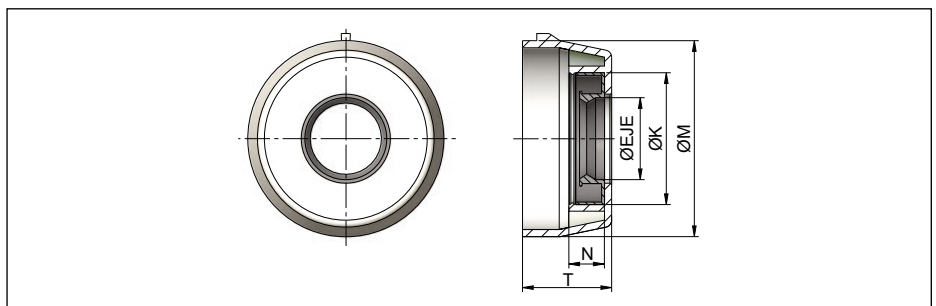


To use with models			
UCF	UFL	UCP	UCPA
UCHP	UCH	SQL	

Ref.	Shaft	ØK	ØM	T	N	Kg.	Box
393120C	Ø 20	-	49.8	23	-	0.01	5
⊕ 393125C	Ø 25	-	54.8	25	-	0.01	5
⊕ 393130C	Ø 30	-	63.8	30	-	0.01	5
393135C	Ø 35	-	74.3	32	-	0.01	5
393140C	Ø 40	-	83.8	37	-	0.01	5

Material: polyethylene. | Dimensions in mm | ⊕ Best seller

Open cover

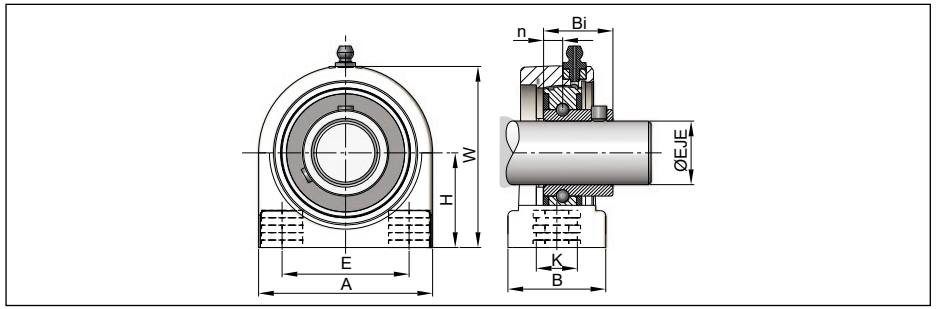
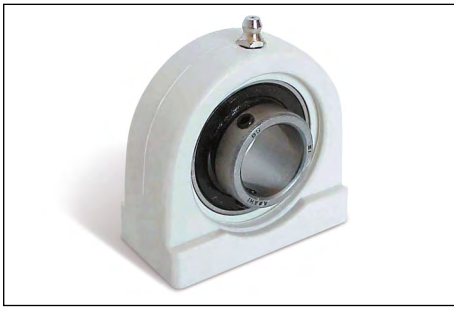


To use with models			
UCF	UFL	UCP	UCPA
UCHP	UCH	SQL	

Ref.	Shaft	ØK	ØM	T	N	Kg.	Box
393120A	Ø 20	33	49.8	23	7.3	0.01	5
⊕ 393125A	Ø 25	38	54.8	25	7.3	0.01	5
⊕ 393130A	Ø 30	43	63.8	30	7.3	0.01	5
393135A	Ø 35	48	74.3	32	7.3	0.01	5
393140A	Ø 40	53	83.8	37	7.3	0.01	5

Material: polyethylene. | Dimensions in mm | ⊕ Best seller

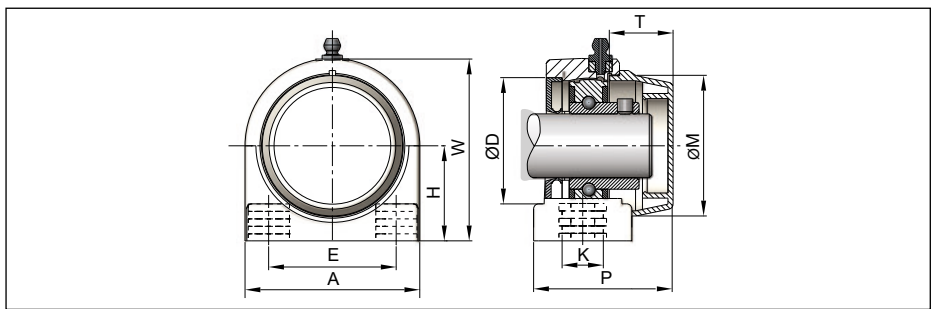
Compact support UCPA



Ref.	Shaft	H	A	E	B	K	W	Bi	n	Kg.	Box
348120	Ø 20	34.8	72.8	50.8	34.5	M8	67.5	24.7	7	0.35	10
348125	Ø 25	38.5	76.2	50.8	39.5	M10	75.5	27	7.5	0.4	10
348130	Ø 30	42.9	101	76.2	42.5	M11	84	30.3	8	0.55	5
348135	Ø 35	47.6	110	82.6	47.5	M12	95	32.9	8.5	0.8	5
348140	Ø 40	49.2	120	88.9	48	M13	100.5	35.5	9	0.95	4

Support material: special PP • Bearings material: steel • Bushings material: stainless steel | Dimensions in mm

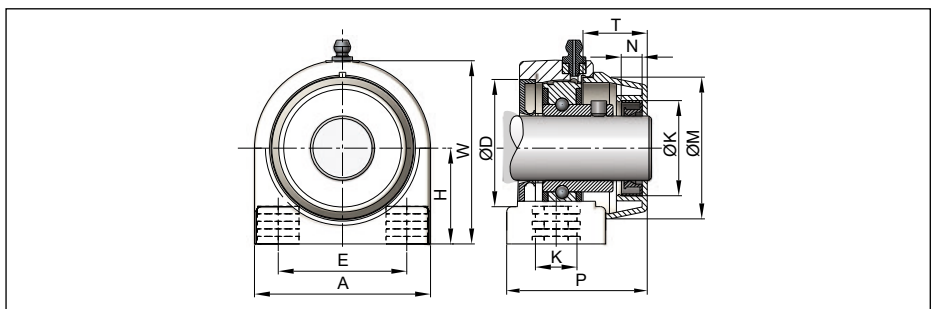
Compact support with closed cover UCPA



Ref.	Shaft	P	H	A	E	B	K	W	Bi	n	ØM	T	ØD	ØK	N	Kg.	Box
348120C	Ø 20	50.25	34.8	72.8	50.8	34.5	M8	67.5	24.7	7	49.8	23	52.2	-	-	0.4	10
348125C	Ø 25	55.75	38.5	76.2	50.8	39.5	M10	75.5	27	7.5	54.8	25	62.2	-	-	0.45	5
348130C	Ø 30	62.75	42.9	101	76.2	42.5	M10	84	30.3	8	63.8	30	72.2	-	-	0.6	5
348135C	Ø 35	68	47.6	110	82.6	47.5	M10	95	32.9	8.5	74.3	32	82.2	-	-	0.85	5
348140C	Ø 40	75	49.2	120	88.9	48	M10	100.5	35.5	9	83.8	37	88.2	-	-	1	4

Support material: special PP • Bearings material: steel • Bushings material: stainless steel | Dimensions in mm

Compact support with open cover UCPA



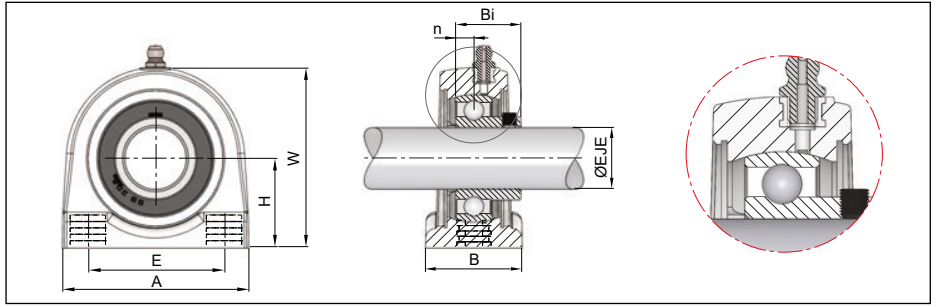
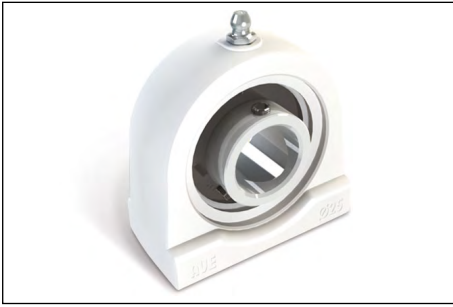
Ref.	Shaft	P	H	A	E	B	K	W	Bi	n	ØM	T	ØD	ØK	N	Kg.	Box
348120A	Ø 20	50.25	34.8	72.8	50.8	34.5	M8	67.5	24.7	7	49.8	23	52.2	33	7.3	0.4	10
348125A	Ø 25	55.75	38.5	76.2	50.8	39.5	M10	75.5	27	7.5	54.8	25	62.2	38	7.3	0.45	5
348130A	Ø 30	62.75	42.9	101	76.2	42.5	M10	84	30.3	8	63.8	30	72.2	43	7.3	0.6	5
348135A	Ø 35	68	47.6	110	82.6	47.5	M10	95	32.9	8.5	74.3	32	82.2	48	7.3	0.85	5
348140A	Ø 40	75	49.2	120	88.9	48	M10	100.5	35.5	9	83.8	37	88.2	53	7.3	1	4

Support material: special PP • Bearings material: steel • Bushings material: stainless steel | Dimensions in mm

BEARING SUPPORT



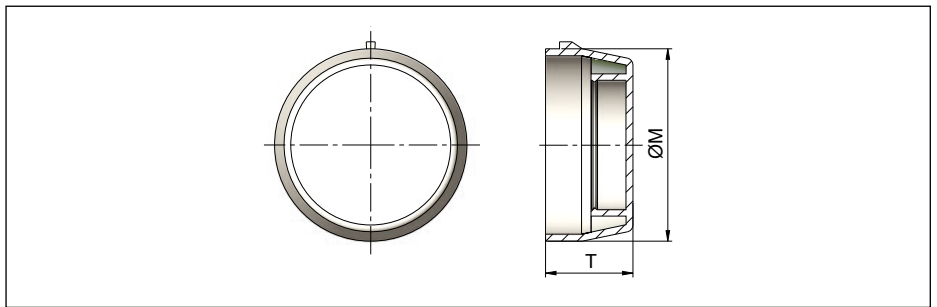
Compact support version with two covers and seal UCPA



Ref.	Shaft	H	A	E	B	K	W	Bi	n	Kg.	Box
3481 DC 20	Ø 20	34.8	72.8	50.8	34.5	M8	67.5	24.7	7	0.35	10
3481 DC 25	Ø 25	38.5	76.2	50.8	39.5	M10	75.5	27	7.5	0.4	10
3481 DC 30	Ø 30	42.9	101	76.2	42.5	M10	84	30.3	8	0.55	5
3481 DC 35	Ø 35	47.6	110	82.6	47.5	M10	95	32.9	8.5	0.8	5
3481 DC 40	Ø 40	49.2	120	88.9	48	M12	100.5	35.5	9	0.95	4

Support material: special PP • Bearings material: steel • Bushings material: stainless steel | Dimensions in mm

Close cover

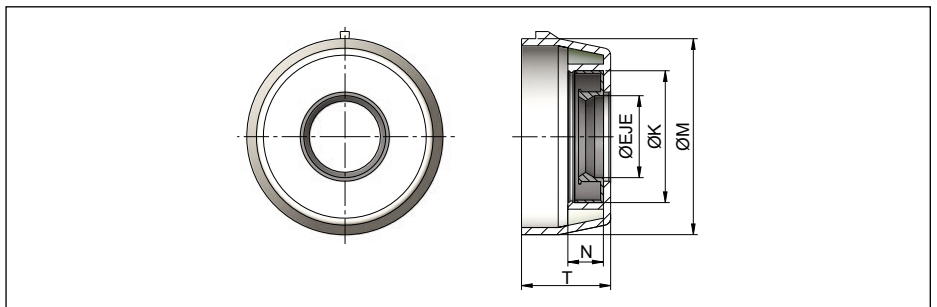


To use with models			
UCF	UFL	UCP	UCPA
UCHP	UCH	SQL	

Ref.	Shaft	ØK	ØM	T	N	Kg.	Box
393120C	Ø 20	-	49.8	23	-	0.01	5
393125C	Ø 25	-	54.8	25	-	0.01	5
393130C	Ø 30	-	63.8	30	-	0.01	5
393135C	Ø 35	-	74.3	32	-	0.01	5
393140C	Ø 40	-	83.8	37	-	0.01	5

Material: polyethylene. | Dimensions in mm

Open cover

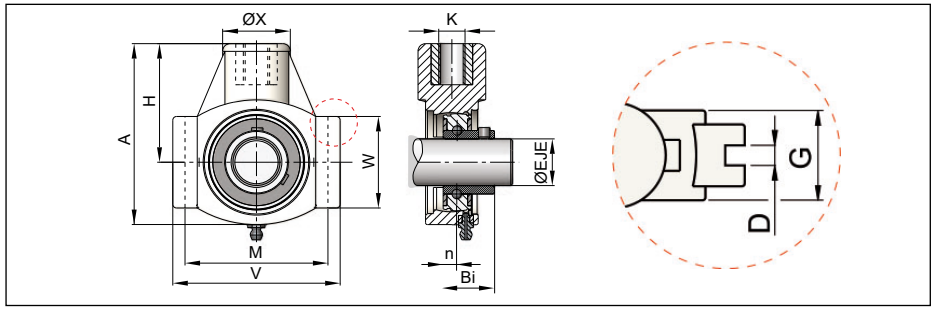


To use with models			
UCF	UFL	UCP	UCPA
UCHP	UCH	SQL	

Ref.	Shaft	ØK	ØM	T	N	Kg.	Box
393120A	Ø 20	33	49.8	23	7.3	0.01	5
393125A	Ø 25	38	54.8	25	7.3	0.01	5
393130A	Ø 30	43	63.8	30	7.3	0.01	5
393135A	Ø 35	48	74.3	32	7.3	0.01	5
393140A	Ø 40	53	83.8	37	7.3	0.01	5

Material: polyethylene. | Dimensions in mm

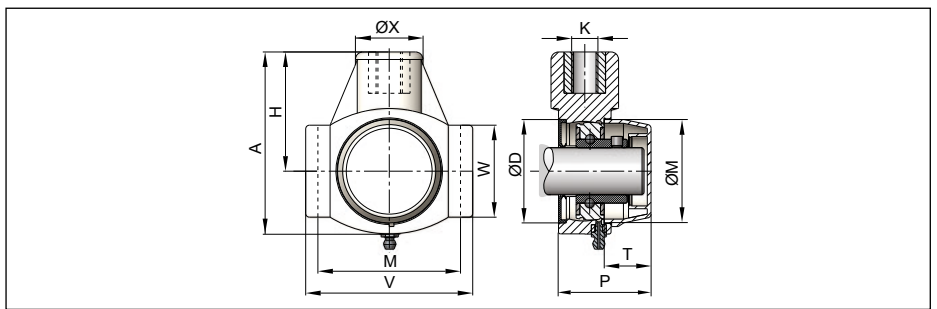
Tensile support with guide UCHP



Ref.	Shaft	H	A	D	ØX	V	W	M	G	K	Bi	n	Kg.	Box
351120	Ø 20	64	99	12	36	89	47	76	27.5	M16	24.7	7	0.35	10
351125	Ø 25	64	99	12	36	89	47	76	27.5	M16	27	7.5	0.4	10
351130	Ø 30	76	125	12	40	102.5	63	89	34.5	M16	30.3	8	0.55	5
351135	Ø 35	76	125	12	40	102.5	63	89	34.5	M16	32.9	8.5	0.8	5
351140	Ø 40	85	140	16	40	113	80	102	34.5	M16	35.5	9	0.9	4

Support material: special PP • Bearings material: steel • Bushings material: stainless steel | Dimensions in mm

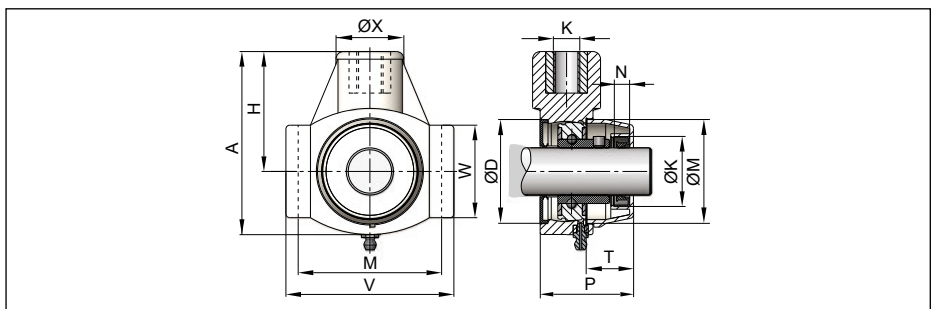
Tensile support with guide and closed cover UCHP



Ref.	Shaft	P	H	A	D	ØX	V	W	M	G	K	Bi	n	ØM	T	ØD	ØK	N	Kg.	Box
351120C	Ø 20	47.7	64	99	12	36	89	47	76	27.5	M16	24.7	7	49.8	23	52.2	-	-	0.4	10
351125C	Ø 25	49.5	64	99	12	36	89	47	76	27.5	M16	27	7.5	54.8	25	62.2	-	-	0.45	5
351130C	Ø 30	61.5	76	125	12	40	102.5	63	89	34.5	M16	30.3	8	63.8	30	72.2	-	-	0.6	5
351135C	Ø 35	63.7	76	125	12	40	102.5	63	89	34.5	M16	32.9	8.5	74.3	32	82.2	-	-	0.85	5
351140C	Ø 40	68.7	85	140	16	40	113	80	102	34.5	M16	35.5	9	83.8	37	88.2	-	-	0.95	4

Support material: special PP • Bearings material: steel • Bushings material: stainless steel | Dimensions in mm

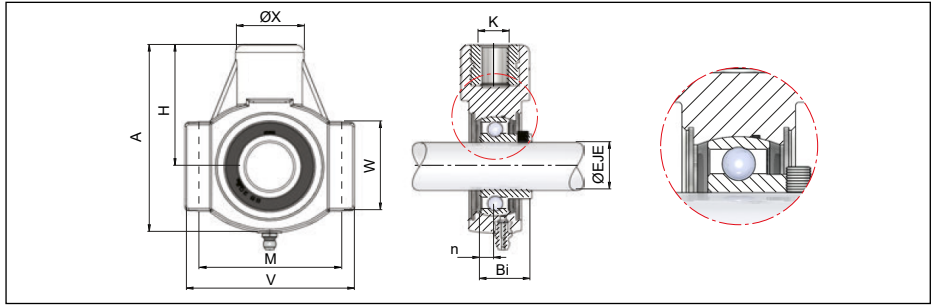
Tensile support with guide and open cover UCHP



Ref.	Shaft	P	H	A	D	ØX	V	W	M	G	K	Bi	n	ØM	T	ØD	ØK	N	Kg.	Box
351120A	Ø 20	47.7	64	99	12	36	89	47	76	27.5	M16	24.7	7	49.8	23	52.2	33	7.3	0.4	10
351125A	Ø 25	49.5	64	99	12	36	89	47	76	27.5	M16	27	7.5	54.8	25	62.2	38	7.3	0.45	5
351130A	Ø 30	61.5	76	125	12	40	102.5	63	89	34.5	M16	30.3	8	63.8	30	72.2	43	7.3	0.6	5
351135A	Ø 35	63.7	76	125	12	40	102.5	63	89	34.5	M16	32.9	8.5	74.3	32	82.2	48	7.3	0.85	5
351140A	Ø 40	68.7	85	140	16	40	113	80	102	34.5	M16	35.5	9	83.8	37	88.2	53	7.3	0.95	4

Support material: special PP • Bearings material: steel • Bushings material: stainless steel | Dimensions in mm

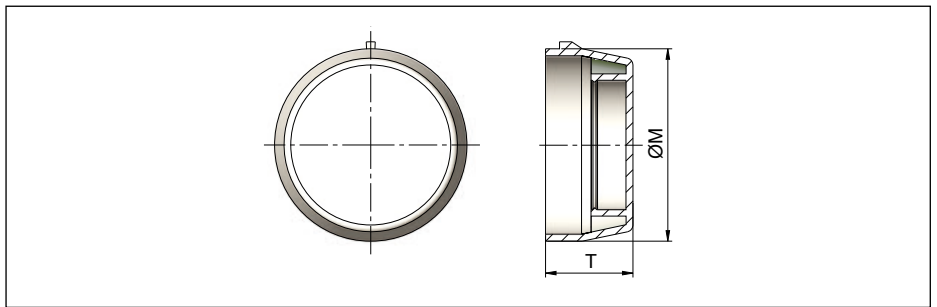
Tensile support with guide version with two covers and seal UCHP



Ref.	Shaft	H	A	D	ØX	V	W	M	G	K	Bi	n	Kg.	Box
3511 DC 20	Ø 20	64	99	12	36	89	47	76	27.5	M16	24.7	7	0.35	10
3511 DC 25	Ø 25	64	99	12	36	89	47	76	27.5	M16	27	7.5	0.4	10
3511 DC 30	Ø 30	76	125	12	40	102.5	63	89	34.5	M16	30.3	8	0.55	5
3511 DC 35	Ø 35	76	125	12	40	102.5	63	89	34.5	M16	32.9	8.5	0.8	5
3511 DC 40	Ø 40	85	140	16	40	113	80	102	34.5	M16	35.5	9	0.9	4

Support material: special PP • Bearings material: steel • Bushings material: stainless steel | Dimensions in mm

Close cover

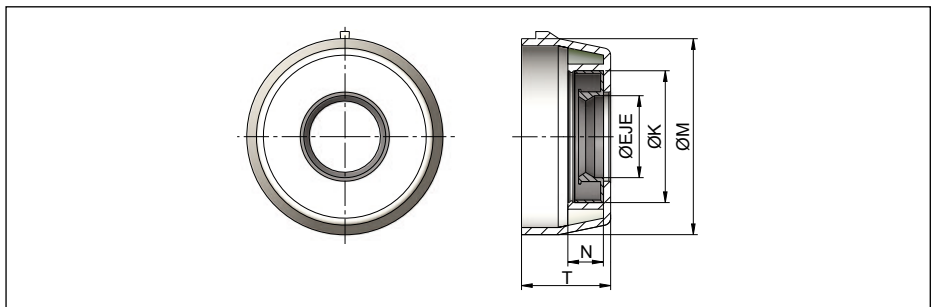


To use with models			
UCF	UFL	UCP	UCPA
UCHP	UCH	SQL	

Ref.	Shaft	ØK	ØM	T	N	Kg.	Box
393120C	Ø 20	-	49.8	23	-	0.01	5
393125C	Ø 25	-	54.8	25	-	0.01	5
393130C	Ø 30	-	63.8	30	-	0.01	5
393135C	Ø 35	-	74.3	32	-	0.01	5
393140C	Ø 40	-	83.8	37	-	0.01	5

Material: polyethylene. | Dimensions in mm

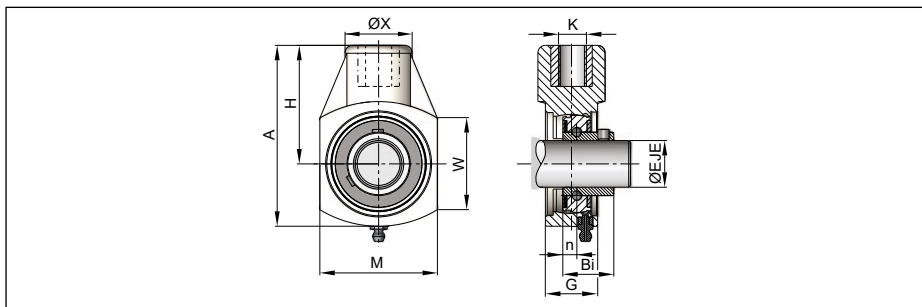
Open cover



To use with models			
UCF	UFL	UCP	UCPA
UCHP	UCH	SQL	

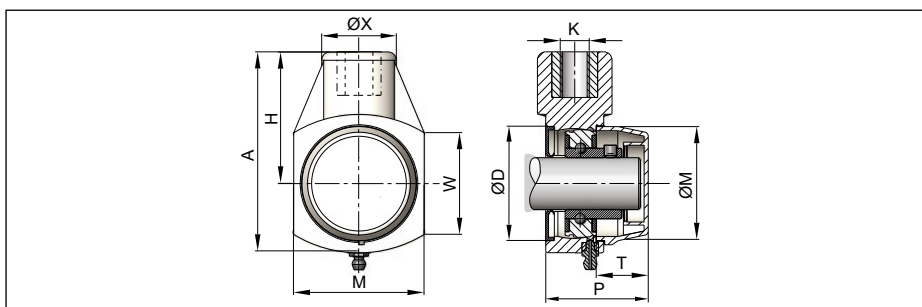
Ref.	Shaft	ØK	ØM	T	N	Kg.	Box
393120A	Ø 20	33	49.8	23	7.3	0.01	5
393125A	Ø 25	38	54.8	25	7.3	0.01	5
393130A	Ø 30	43	63.8	30	7.3	0.01	5
393135A	Ø 35	48	74.3	32	7.3	0.01	5
393140A	Ø 40	53	83.8	37	7.3	0.01	5

Material: polyethylene. | Dimensions in mm

Tensile support without guide UCH


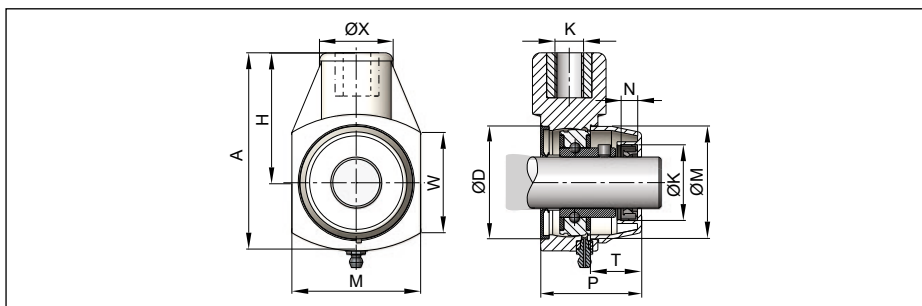
Ref.	Shaft	H	A	ØX	M	W	G	K	Bi	n	Kg.	Box
362120	Ø 20	64	99	36	65	47	27.5	M16	24.7	7	0.35	10
362125	Ø 25	64	99	36	74	47	27.5	M16	27	7.5	0.4	10
362130	Ø 30	76	125	40	90	63	34.5	M16	30.3	8	0.55	5
362135	Ø 35	76	125	40	90	63	34.5	M16	32.9	8.5	0.8	5
362140	Ø 40	85	140	40	100	80	34.5	M16	35.5	9	0.95	4

Support material: special PP • Bearings material: steel • Bushings material: stainless steel | Dimensions in mm

Tensile support without guide with closed cover UCH


Ref.	Shaft	P	H	A	ØX	M	W	G	K	Bi	n	ØM	T	ØD	ØK	N	Kg.	Box
362120C	Ø20	47.7	64	99	36	65	47	27.5	M16	24.7	7	49.8	23	52.2	-	-	0.4	10
362125C	Ø25	49.5	64	99	36	74	47	27.5	M16	27	7.5	54.8	25	62.2	-	-	0.45	5
362130C	Ø30	61.5	76	125	40	90	63	34.5	M16	30.3	8	63.8	30	72.2	-	-	0.6	5
362135C	Ø35	63.7	76	125	40	90	63	34.5	M16	32.9	8.5	74.3	32	82.2	-	-	0.8	5
362140C	Ø40	68.7	85	140	40	100	80	34.5	M16	35.5	9	83.8	37	88.2	-	-	1	4

Support material: special PP • Bearings material: steel • Bushings material: stainless steel | Dimensions in mm

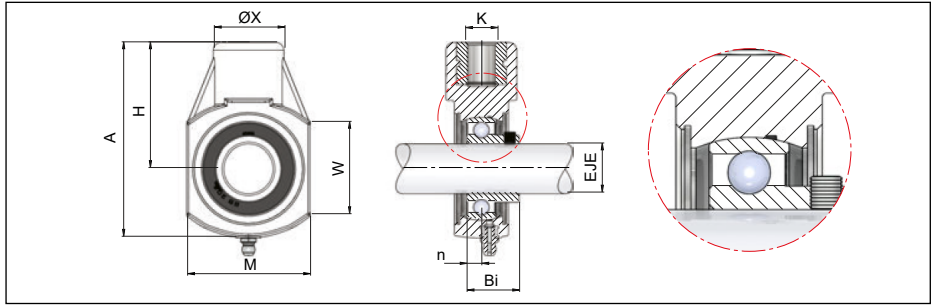
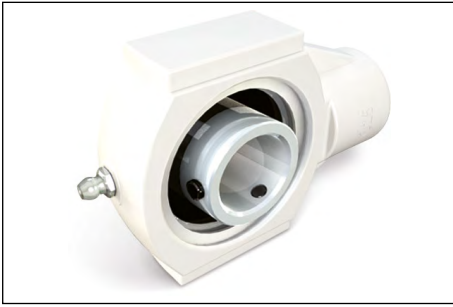
Tensile support without guide with open cover UCH


Ref.	Shaft	P	H	A	ØX	M	W	G	K	Bi	n	ØM	T	ØD	ØK	N	Kg.	Box
362120A	Ø 20	47.7	64	99	36	65	47	27.5	M16	24.7	7	49.8	23	52.2	33	7.3	0.4	10
362125A	Ø 25	49.5	64	99	36	74	47	27.5	M16	27	7.5	54.8	25	62.2	38	7.3	0.45	5
362130A	Ø 30	61.5	76	125	40	90	63	34.5	M16	30.3	8	63.8	30	72.2	43	7.3	0.6	5
362135A	Ø 35	63.7	76	125	40	90	63	34.5	M16	32.9	8.5	74.3	32	82.2	48	7.3	0.8	5
362140A	Ø 40	68.7	85	140	40	100	80	34.5	M16	35.5	9	83.8	37	88.2	53	7.3	1	4

Support material: special PP • Bearings material: steel • Bushings material: stainless steel | Dimensions in mm

BEARING SUPPORT

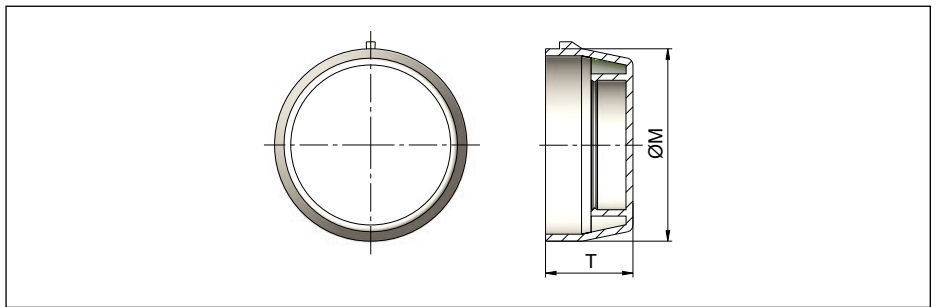

Tensile support without guide version with two covers and seal UCH



Ref.	Shaft	H	A	D	ØX	V	W	M	G	K	Bi	n	Kg.	Box
3621 DC 20	Ø 20	64	99	12	36	89	47	76	27.5	M16	24.7	7	0.35	10
3621 DC 25	Ø 25	64	99	12	36	89	47	76	27.5	M16	27	7.5	0.4	10
3621 DC 30	Ø 30	76	125	12	40	102.5	63	89	34.5	M16	30.3	8	0.55	5
3621 DC 35	Ø 35	76	125	12	40	102.5	63	89	34.5	M16	32.9	8.5	0.8	5
3621 DC 40	Ø 40	85	140	16	40	113	80	102	34.5	M16	35.5	9	0.95	4

Support material: special PP • Bearings material: steel • Bushings material: stainless steel | Dimensions in mm

Close cover

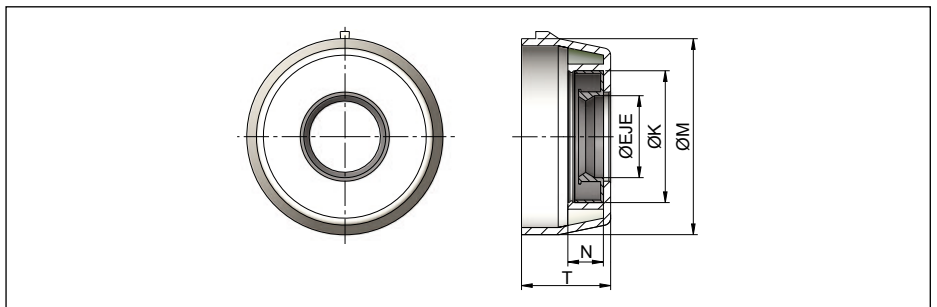


To use with models			
UCF	UFL	UCP	UCPA
UCHP	UCH	SQL	

Ref.	Shaft	ØK	ØM	T	N	Kg.	Box
393120C	Ø 20	-	49.8	23	-	0.01	5
393125C	Ø 25	-	54.8	25	-	0.01	5
393130C	Ø 30	-	63.8	30	-	0.01	5
393135C	Ø 35	-	74.3	32	-	0.01	5
393140C	Ø 40	-	83.8	37	-	0.01	5

Material: polyethylene. | Dimensions in mm

Open cover

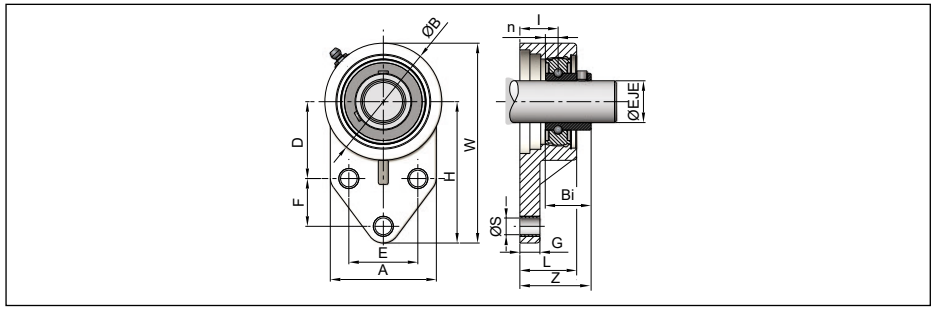


To use with models			
UCF	UFL	UCP	UCPA
UCHP	UCH	SQL	

Ref.	Shaft	ØK	ØM	T	N	Kg.	Box
393120A	Ø 20	33	49.8	23	7.3	0.01	5
393125A	Ø 25	38	54.8	25	7.3	0.01	5
393130A	Ø 30	43	63.8	30	7.3	0.01	5
393135A	Ø 35	48	74.3	32	7.3	0.01	5
393140A	Ø 40	53	83.8	37	7.3	0.01	5

Material: polyethylene. | Dimensions in mm

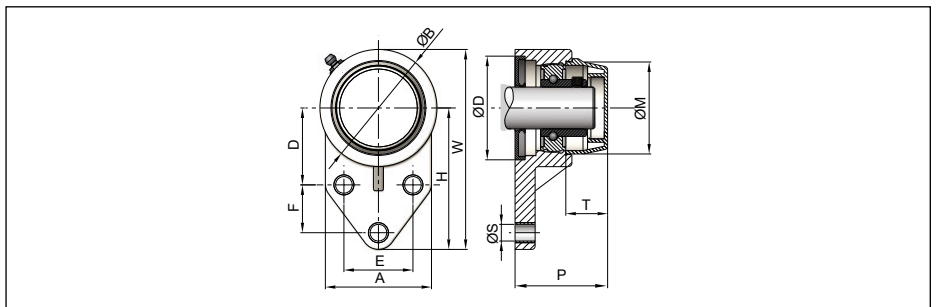
Head tensile support SQL



Ref.	Shaft	H	A	E	ØB	ØS	Z	L	G	W	D	F	I	Bi	n	Kg.	Box
383120	Ø 20	76.3	62	38.1	63.6	11	32.9	28	13	108	42.9	22.2	15.4	24.7	7	0.25	10
⊕ 383125	Ø 25	85.6	63.5	41.3	70	11	40.8	34	13	120.6	46	28.6	21.5	27	7.5	0.3	10
⊕ 383130	Ø 30	97	76	47.6	83	11	40.55	32	15.5	138.5	52.4	31.8	19.3	30.3	8	0.45	5
383135	Ø 35	109.5	89	50.8	95	14	44.95	36.5	17	157	60.3	31.8	21.7	32.9	8.5	0.65	5

Support material: special PP • Bearings material: steel • Bushings material: stainless steel | Dimensions in mm | ⊕ Best seller

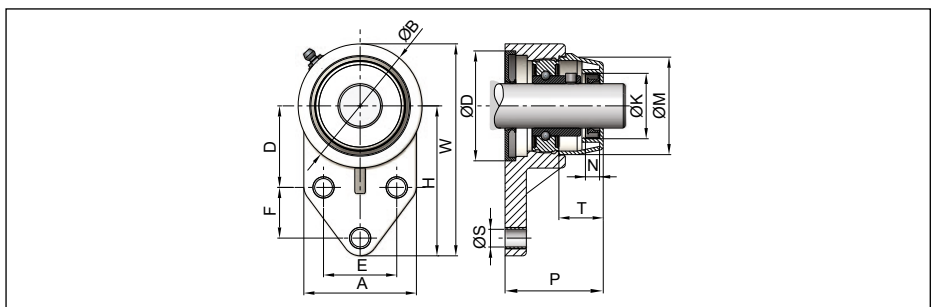
Head tensile support with closed cover SQL



Ref.	Shaft	H	P	A	E	ØB	ØS	Z	L	G	W	D	F	I	n	ØM	T	ØD	ØK	N	Kg.	Box
383120C	Ø 20	76.3	46.7	62	38.1	63.6	11	32.9	28	13	108	42.9	22.2	15.4	7	49.8	23	52.2	-	-	0.3	10
383125C	Ø 25	85.6	55.8	63.5	41.3	70	11	40.8	34	13	120.6	46	28.6	21.5	7.5	54.8	25	62.2	-	-	0.35	5
383130C	Ø 30	97	58.8	76	47.6	83	11	40.55	32	15.5	138.5	52.4	31.8	19.3	8	63.8	30	72.2	-	-	0.5	5
383135C	Ø 35	109.5	63.5	89	50.8	95	14	44.95	36.5	17	157	60.3	31.8	21.7	8.5	74.3	32	82.2	-	-	0.7	5

Support material: special PP • Bearings material: steel • Bushings material: stainless steel | Dimensions in mm

Head tensile support with open cover SQL



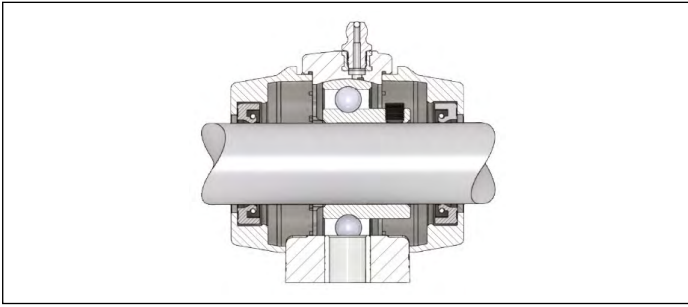
Ref.	Shaft	H	P	A	E	ØB	ØS	Z	L	G	W	D	F	I	n	ØM	T	ØD	ØK	N	Kg.	Box
383120A	Ø 20	76.3	46.7	62	38.1	63.6	11	32.9	28	13	108	42.9	22.2	15.4	7	49.8	23	52.2	33	7.3	0.3	10
383125A	Ø 25	85.6	55.8	63.5	41.3	70	11	40.8	34	13	120.6	46	28.6	21.5	7.5	54.8	25	62.2	38	7.3	0.35	5
383130A	Ø 30	97	58.8	76	47.6	83	11	40.55	32	15.5	138.5	52.4	31.8	19.3	8	63.8	30	72.2	43	7.3	0.5	5
383135A	Ø 35	109.5	63.5	89	50.8	95	14	44.95	36.5	17	157	60.3	31.8	21.7	8.5	74.3	32	82.2	48	7.3	0.7	5

Support material: special PP • Bearings material: steel • Bushings material: stainless steel | Dimensions in mm

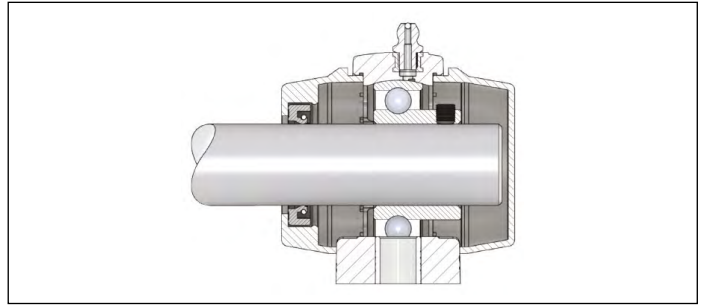
BEARING SUPPORT



UCP

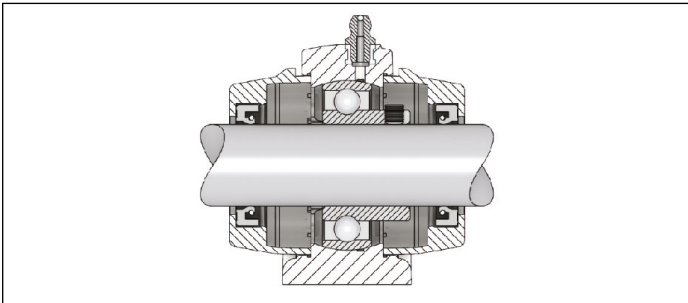


Example: Two covers. open / open

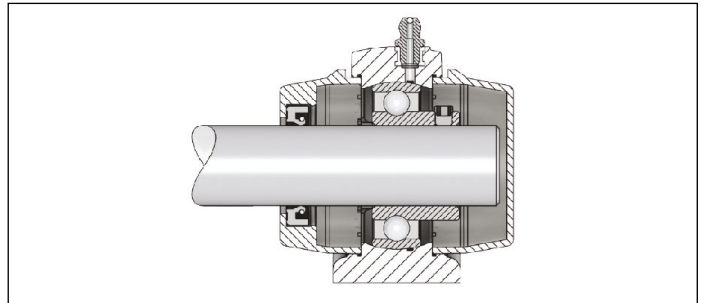


Example: Two covers. open / closed

UCPA

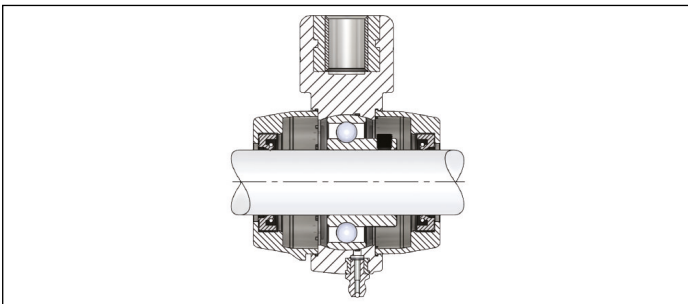


Example: Two covers. open / open

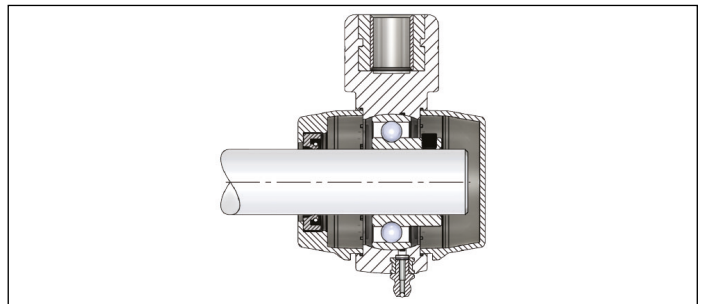


Example: Two covers. open / closed

UCHP

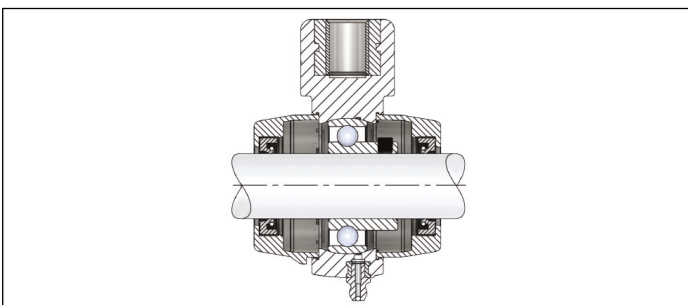


Example: Two covers. open / open

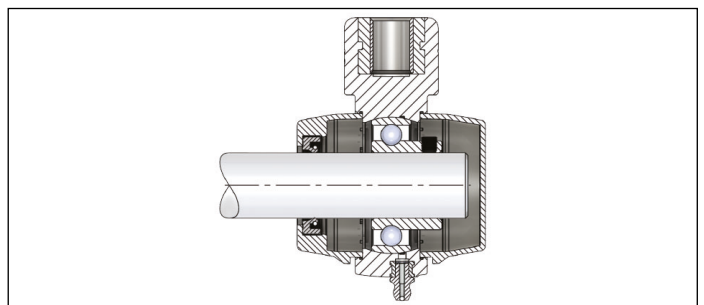


Example: Two covers. open / closed

UCH

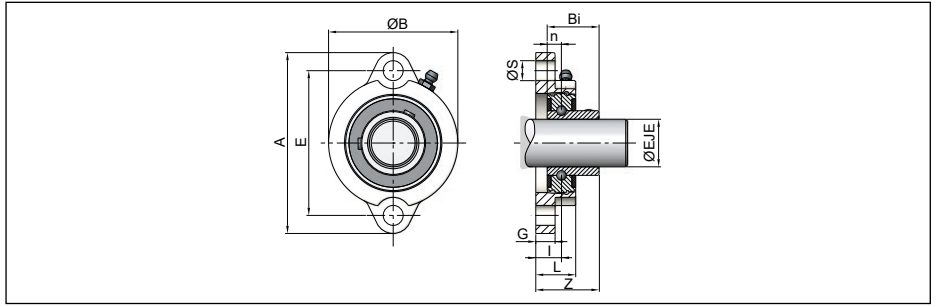


Example: Two covers. open / open



Example: Two covers. open / closed

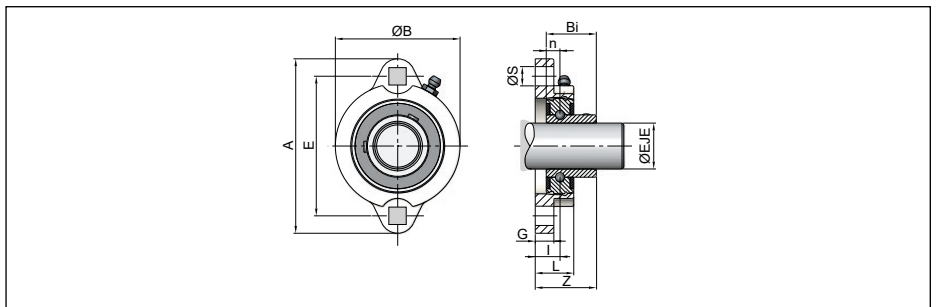
Mini oval support UFL-M



Ref.	Shaft	A	E	G	L	ØS	Z	I	ØB	Bi	n	Kg.	Box
375120	Ø 20	90.4	71	11	20	10.2	28.7	11.2	63.1	24.7	7	0.3	10
375125	Ø 25	95.4	76	11	21	10.5	30.8	11.5	68.8	27	7.5	0.35	10

Exclusively open model | Support material: special PP • Bearings material: steel • Bushings material: stainless steel | Dimensions in mm

Mini oval support UFL-MC



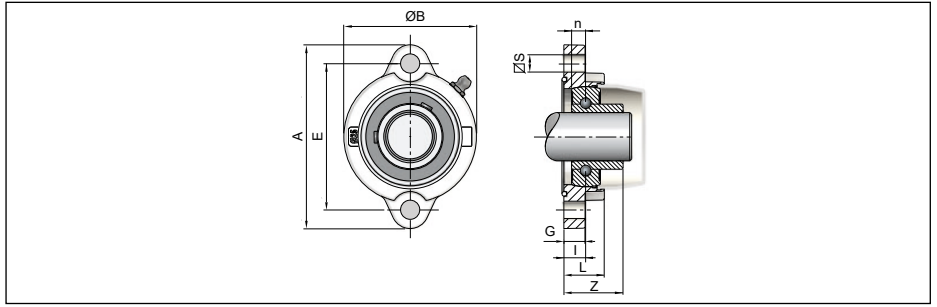
Ref.	Shaft	A	E	G	L	ØS	Z	I	ØB	Bi	n	Kg.	Box
375120S	Ø 20	90.4	71	11	20	9x9	28.7	11.2	63.1	24.7	7	0.3	10
375125S	Ø 25	95.4	76	11	21	9x9	30.8	11.5	68.8	27	7.5	0.35	10

Support material: special PP • Bearings material: steel • Bushings material: stainless steel | Dimensions in mm

BEARING SUPPORT



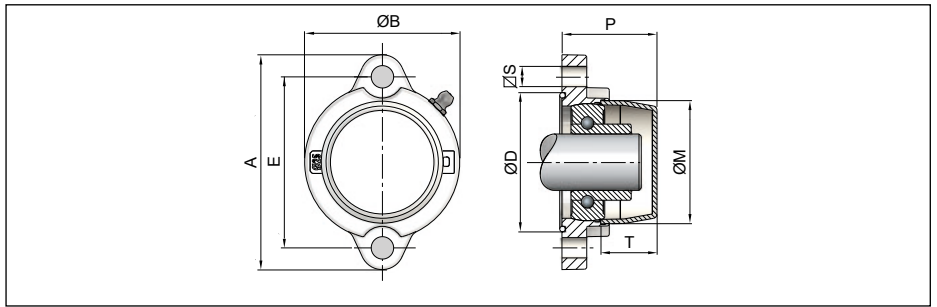
Mini oval support UFL-MT



Ref.	Shaft	A	E	G	L	ØS	Z	I	ØB	Bi	n	Kg.	Box
375120M	Ø 20	90.4	71	11	20	9x9	28.7	11.2	63.1	24.7	7	0.3	10
375125M	Ø 25	95.4	76	11	21	9x9	30.8	11.5	68.8	27	7.5	0.35	10

Model allowing the use of covers | Support material: special PP • Bearings material: steel • Bushings material: stainless steel | Dimensions in mm

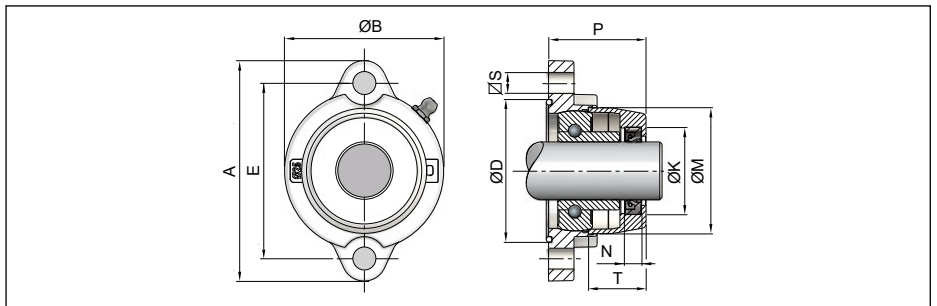
Mini oval support with closed cover UFL-MT



Ref.	Shaft	A	E	G	P	L	ØS	Z	I	Bi	n	ØB	ØM	T	ØD	ØK	N	Kg.	Box
375120M.C	Ø 20	90.4	71	11	39.4	20	10.2	28.7	11.2	24.7	7	63.1	49.8	23	56.8	-	-	0.35	10
375125M.C	Ø 25	95.4	76	11	42.2	21	10.5	30.8	11.5	27	7.5	68.8	54.8	25	61.8	-	-	0.4	10

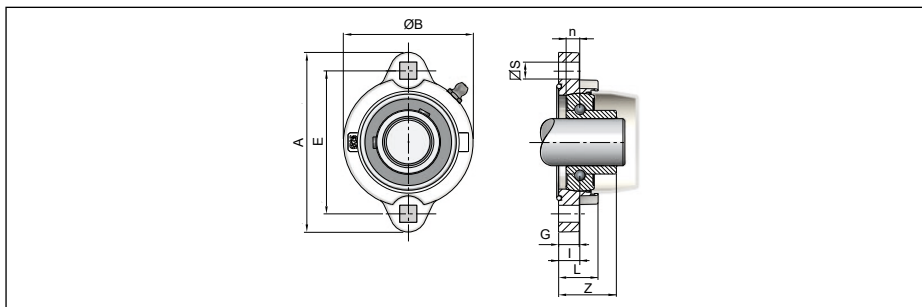
Support material: special PP • Bearings material: steel • Bushings material: stainless steel | Dimensions in mm

Mini oval support with open cover UFL-MT



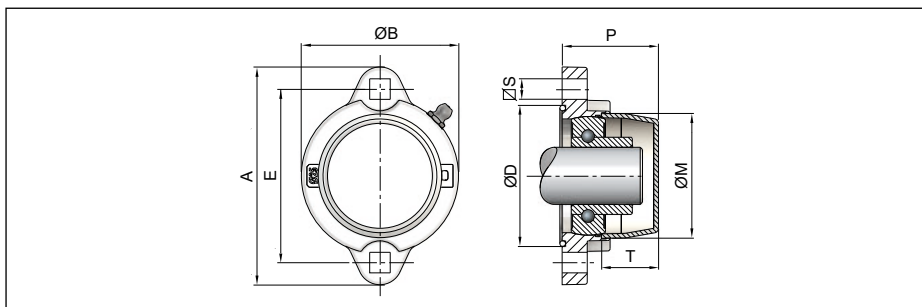
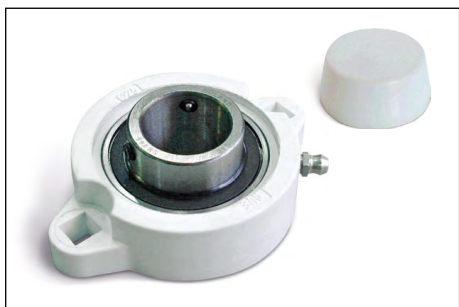
Ref.	Shaft	A	E	G	P	L	ØS	Z	I	Bi	n	ØB	ØM	T	ØD	ØK	N	Kg.	Box
375120M.A	Ø 20	90.4	71	11	39.4	20	10.2	28.7	11.2	24.7	7	63.1	49.8	23	56.8	33	7.3	0.35	10
375125M.A	Ø 25	95.4	76	11	42.2	21	10.5	30.8	11.5	27	7.5	68.8	54.8	25	61.8	38	7.3	0.4	10

Support material: special PP • Bearings material: steel • Bushings material: stainless steel | Dimensions in mm

Mini oval support UFL-MCT


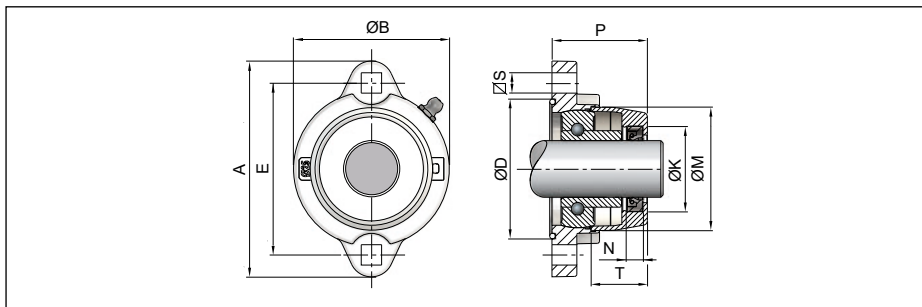
Ref.	Shaft	A	E	G	L	ØS	Z	I	ØB	Bi	n	Kg.	Box
375120SMC	Ø 20	90.4	71	11	20	9x9	28.7	11.2	63.1	24.7	7	0.3	10
375125SMC	Ø 25	95.4	76	11	21	9x9	30.8	11.5	68.8	27	7.5	0.35	10

Model allowing the use of covers | Support material: special PP • Bearings material: steel • Bushings material: stainless steel | Dimensions in mm

Mini oval support with closed cover UFL-MCT


Ref.	Shaft	A	E	G	P	L	ØS	Z	I	Bi	n	ØB	ØM	T	ØD	ØK	N	Kg.	Box
375120SMC.C	Ø 20	90.4	71	11	39.4	20	9	28.7	11.2	24.7	7	63.1	49.8	23	56.8	-	-	0.35	10
375125SMC.C	Ø 25	95.4	76	11	42.2	21	9	30.8	11.5	27	7.5	68.8	54.8	25	61.8	-	-	0.4	10

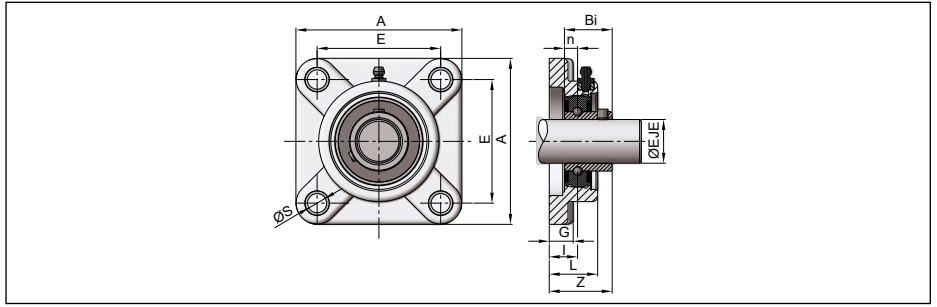
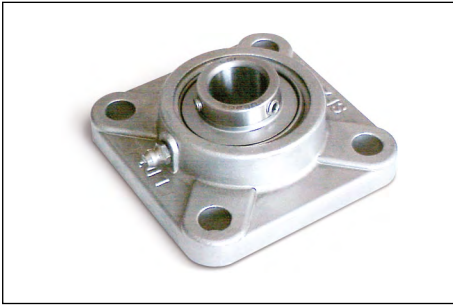
Support material: special PP • Bearings material: steel • Bushings material: stainless steel | Dimensions in mm

Mini oval support with open cover UFL-MCT


Ref.	Shaft	A	E	G	P	L	ØS	Z	I	Bi	n	ØB	ØM	T	ØD	ØK	N	Kg.	Box
375120SMC.A	Ø 20	90.4	71	11	39.4	20	9	28.7	11.2	24.7	7	63.1	49.8	23	56.8	33	7.3	0.35	10
375125SMC.A	Ø 25	95.4	76	11	42.2	21	9	30.8	11.5	27	7.5	68.8	54.8	25	61.8	38	7.3	0.4	10

Support material: special PP • Bearings material: steel • Bushings material: stainless steel | Dimensions in mm

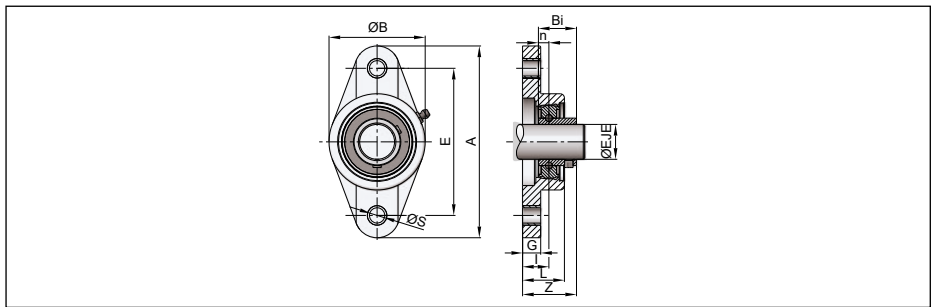
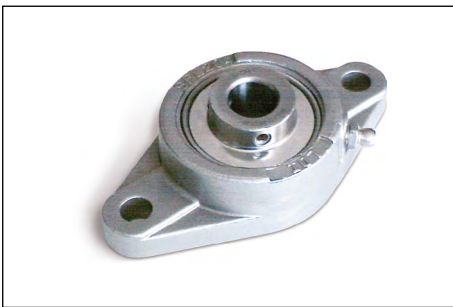
Square support UCF



Ref.	Shaft	A	E	G	L	ØS	Z	I	Kg.	Box
312120MTSS	Ø 20	86	63.5	11	25	12	33.3	15	0.6	10
312125MTSS	Ø 25	95	70	13	26.5	12	35.8	16	0.7	10
312130MTSS	Ø 30	108	82.5	13	30	15	40.2	18	1	5
312135MTSS	Ø 35	117	92	14	33	15	44.4	19	1.5	4
312140MTSS	Ø 40	130	101.5	14	36	15	51.2	21	1.9	4

Support and bearings material: stainless steel | Dimensions in mm

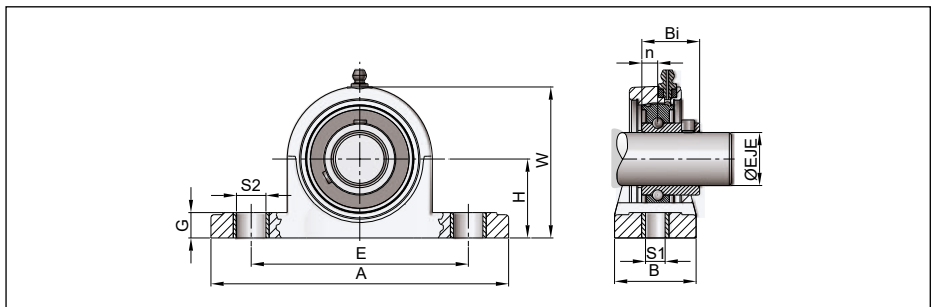
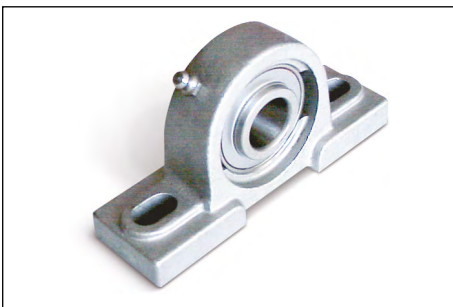
Oval support UFL



Ref.	Shaft	A	E	G	L	ØS	Z	I	ØB	Kg.	Box
324120MTSS	Ø 20	112	90	11	25	12	33.2	15	60	0.45	10
324125MTSS	Ø 25	124	99	13	26.5	12	35.8	16	68	0.55	10
324130MTSS	Ø 30	141	116.5	13	30	15	40.2	18	80	0.8	5
324135MTSS	Ø 35	155.5	130	14	33	15	44.4	19	90	1.2	4
324140MTSS	Ø 40	171.5	143.5	14	36	15	51.2	21	100	1.6	4

Support and bearings material: stainless steel | Dimensions in mm

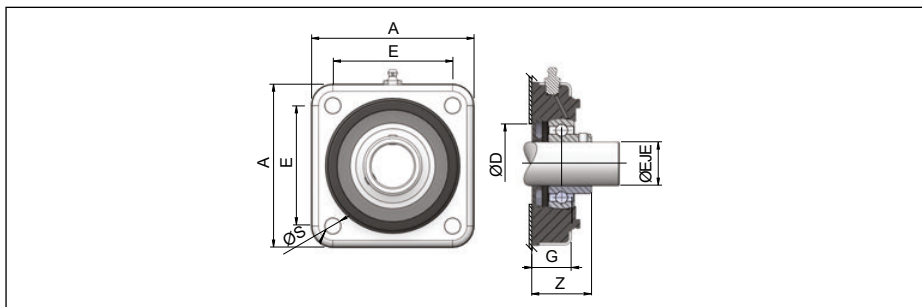
Omega support UCP



Ref.	Shaft	H	A	E	B	S1	S2	G	W	Bi	n	Kg.	Box
336120MTSS	Ø 20	33.3	127	95	38	12	19	15	65	31	12.7	0.75	10
336125MTSS	Ø 25	36.5	140	105	38	12	19	16	70	34.1	14.3	0.85	10
336130MTSS	Ø 30	42.9	165	121	48	15	21	18	83	38.1	15.9	1.4	5
336135MTSS	Ø 35	47.6	167	127	48	15	21	19	94	42.9	17.5	2	4
336140MTSS	Ø 40	49.2	184	137	54	15	23	19	100	49.2	19	2.50	4

Support and bearings material: stainless steel | Dimensions in mm

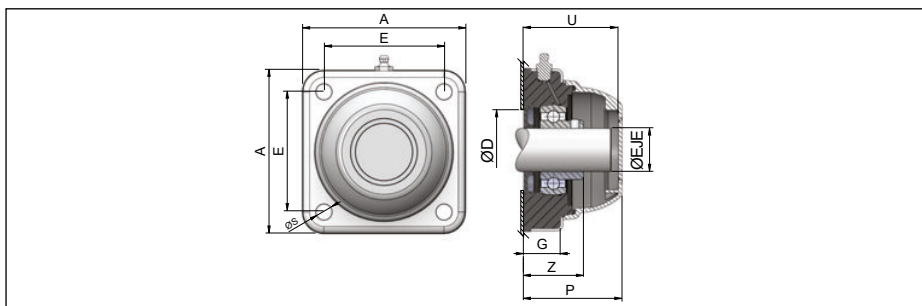
Square support UCF/R



Ref.	Shaft	A	E	G	ØS	Z	P	U	ØD		Kg.	Box
									Max.	Min.		
31R2730	Ø 30	113	83	27	11	41	68	65	60	50	0,88	4
31R2735	Ø 35	113	83	27	11	45	68	65	70	55	0,82	4
31R2740	Ø 40	113	83	27	11	48,5	68	65	78	65	0,75	4

Support material: special PP • Bearings material: steel • Bushings material: stainless steel | Dimensions in mm

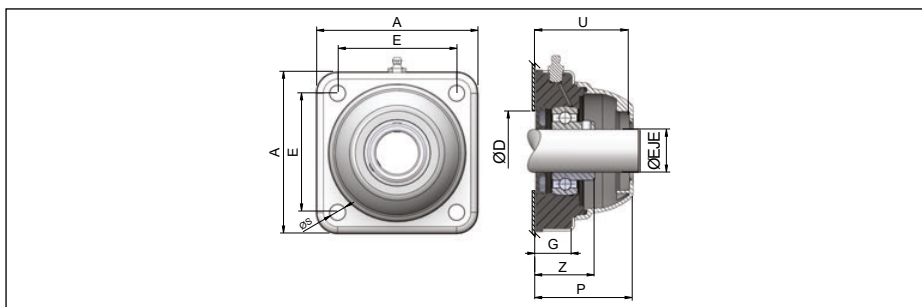
Square bearing housing with closed cover UCF/R



Ref.	Shaft	A	E	G	ØS	Z	P	U	ØD		Kg.	Box
									Max.	Min.		
31R2730C	Ø 30	113	83	27	11	41	68	65	60	50	0,94	4
31R2735C	Ø 35	113	83	27	11	45	68	65	70	55	0,87	4
31R2740C	Ø 40	113	83	27	11	48,5	68	65	78	65	0,8	4

Support material: special PP • Bearings material: steel • Bushings material: stainless steel | Dimensions in mm







Square bearing housing with open cover UCF/R



Ref.	Shaft	A	E	G	ØS	Z	P	U	ØD		Kg.	Box
									Max.	Min.		
31R2730A	Ø 30	113	83	27	11	41	68	65	60	50	0,94	4
31R2735A	Ø 35	113	83	27	11	45	68	65	70	55	0,87	4
31R2740A	Ø 40	113	83	27	11	48,5	68	65	78	65	0,8	4

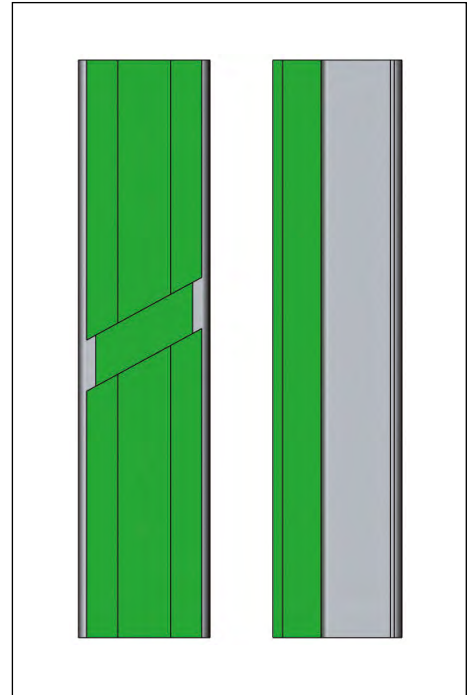
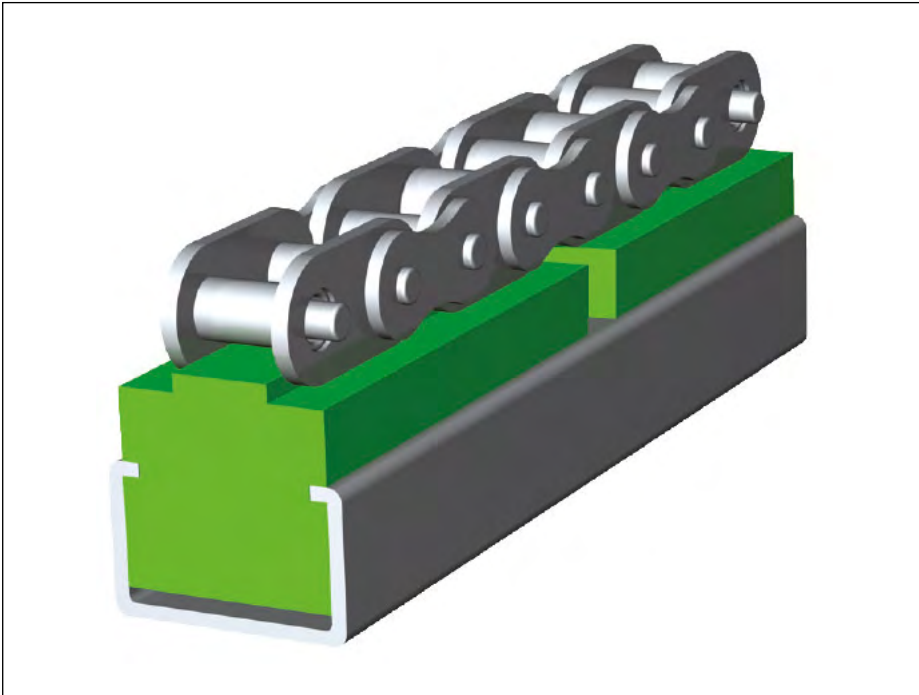
Support material: special PP • Bearings material: steel • Bushings material: stainless steel | Dimensions in mm

Spindle for leveling feet

TYPE B	TYPE J	TYPE P
 <p>Spindle available in Stainless Steel or Zinc plated steel. Manufactured in on piece.</p> <p>Available in M8, M10, M12, M14, M16, M20, M24 for base diameter 40, 50, 60SS, 63, 80, 80SS, 100, 100SS, 110, 125.</p> <p>Length according to table.</p>	 <p>Polyamide Spindle available in M16 for bases diameter 63, 100, 110, 125.</p> <p>Highly recommended in applications with low weight requirements.</p>	 <p>Spindle available in Stainless Steel or Zinc plated steel with hexagonal base. Manufactured in on piece.</p> <p>Available in M16 o M20 for articulated feet diameter 130.</p> <p>Length according to table. Ideal for heavy load utilization and light inclination requirement.</p>
TYPE Q	TYPE R	TYPE S
 <p>Spindle available in Stainless Steel or Zinc plated steel. Manufactured in on piece.</p> <p>Available in M24 o M30 for articulated feet diameter 130.</p> <p>Length according to table. Ideal for heavy load utilization and light inclination requirement.</p>	 <p>Spindle available in Stainless Steel or Zinc plated steel with hexagonal base. Manufactured in on piece. Available in M16 o M20 for fixed feet diameter 130.</p> <p>Length according to table Ideal for heavy loads.</p>	 <p>Spindle available in stainless steel or Zinc plated steel. Single piece manufactured proces. Available in M24 o M30 for fixed Feet diameter 130.</p> <p>Lenght according table. Ideal for heavy loads.</p>



UHMW-PE DESLIDUR



Why using DESLIDUR?

- DESLIDUR profiles (wearstrips) increase the duration and conservation of roller chains, plate chains, belts.
- DESLIDUR profiles reduce the noise in the factories, improving the working environment.
- DESLIDUR profiles reduce power requirements.
- DESLIDUR profiles are self lubricated, therefore, they decrease the necessities of maintenance.
- The material with which DESLIDUR profiles are fabricated have been approved by the FDA/USDA and may be used in direct contact with food products.
- The operating temperature, from -40° to 80° C, without humidity absorption, allows DESLIDUR profiles to adapt to a wide range of uses.
- DESLIDUR material is re-cyclable.

Principal properties of deslidur profiles

- High abrasion resistance
- Low co-efficient of friction
- No absorption of humidity
- High resistance to impact and flexibility
- Excellent chemical resistance
- Approved for food applications
- Homogeneity of materials

Uses and assembly

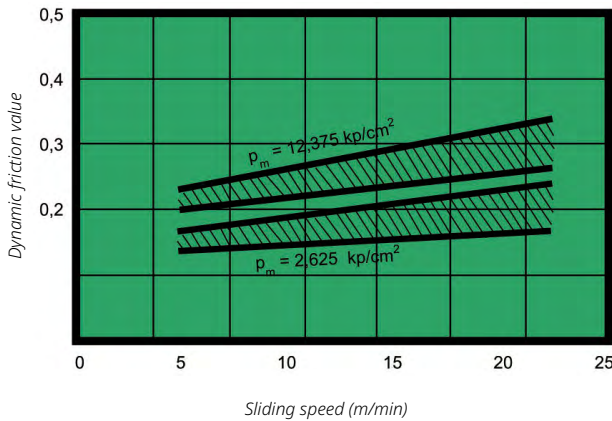
DESLIDUR profiles perform exceptionally well at a constant temperature between -40° C to 80° C, and for short periods of time up to a temperature of 120° C. When the temperature is higher than the one recommended, please consult our commercial-technical department.

When assembling it must be foreseen the coefficient of linear dilation, 2 mm/meter for every 10 degrees of variation in the range of 20° C to 100° C.

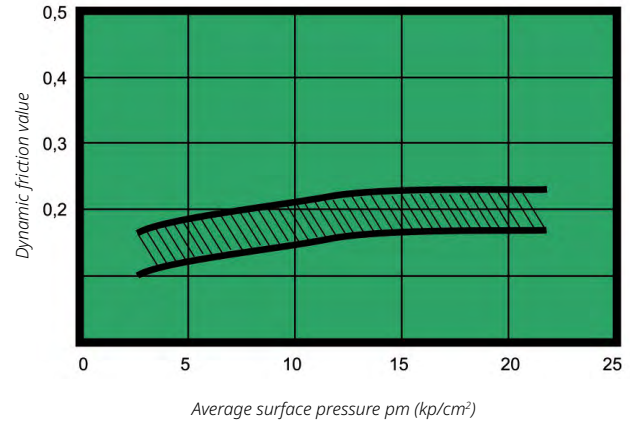
To avoid consequences of this phenomenon you may choose, for example do cut the profile at an angle of 45° at every joining point. This system is principally used with profiles supported by metal guides, according to the drawing below.

Properties of DESLIDUR plastic materials

Relationship between the dynamic friction value of Hostalen GUR and sliding speed (at average surface pressures of $p_m = 2,625$ y $12,375$ kp/cm²).



Relationship between the dynamic friction value of Hostalen GUR and average surface pressure (at a constant sliding speed of $v=10$ m/min).



Deslidur's mechanical products

The T.M. AVE plastics factory uses leading edge technology to produce and process semi-finished and fully finished items from a low pressure, ultrahigh molecular weight polyethylene called DESLIDUR, by means of pressing and sintering or extrusion procedures. These materials, which are highly resistant to wear and tear, make it possible to offer solutions to many technical problems where the mechanical components and construction elements are subjected to extreme stress.

Low pressure ultrahigh molecular weight polyethylene (UHMW PE -DESLIDUR)

As its raw material, T.M. AVE uses @HOSTALEN GUR, manufactured according to Professor Ziegler's method. @HOSTALEN GUR is a low pressure, ultrahigh molecular weight polyethylene, known as DESLIDUR, which exhibits high polymerization properties. Its molecular weight goes from 4,5 to 8 million when measured by the light dispersion method and over 1 million when determined viscometrically. This extremely high molecular weight ensures that the polyethylene has enhanced wear-resistant properties, in particular as regards its impact strength, fracture strength and bending strength among other key technical features. The values of such properties remain high even under the coldest temperature conditions. In addition, ultrahigh molecular weight DESLIDUR is self-lubricating.

Sliding properties and friction coefficient

DESLIDUR has excellent sliding properties. Comparative studies with other plastics have shown that it has self-lubricating properties when used in dry friction situations when sliding against metals such as steel, brass or copper. Its emergency sliding properties are also very good. The DESLIDUR bearing sleeves holding the shafts are unaffected by dirt (dust, sand and similar particles) or lateral flexing. Such properties prevent the so-called "gripping" of the shafts. However an essential condition for these bearings to work to their full potential is that the heat caused by the friction be dissipated to the outside.

Water absorption

DESLIDUR is hydrofugous and does not swell. This means that, unlike humidity-absorbing plastics such as the polyamides, its outstanding features are independent of the degree of humidity in the environment of the finished part.

The absorption of water which can sometimes be seen, particularly when there is a change in temperature, is due only to the slight condensation of humidity on the surface.

Physiological behaviour

The different types of DESLIDUR are odourless and tasteless. There is no reason why they should not come into contact with food products.

Deslidur application examples

Mechanical maintenance

The canning, packing and bottling industry and its customers - manufacturers of preserves, brewers, dairies and so on - use items made from DESLIDUR for their sliding properties, resistance to abrasion and silent working. Besides, they need neither painting nor lubricating. In certain circumstances it is useful to use it for guiding strips and sliding strips or bands for conveyor chains, conveyor belt supports, chain wheels, transport rollers, tensors, direction changers, flange plates, transport chain stars and curves, inclined planes, helical screw conveyors, input parts, etc.

The meat and fish industries the food products industry

DESLIDUR's advantages are easily apparent in this sector. It lasts several times longer than wood, does not rot, is hygienically faultless, is rated as physiologically neutral by the Federal Health Bureau, does not blunt cutting edges and can be easily cleaned with hot water. For all these reasons, plating for working table tops and coatings for other items used in processing meat, fish and vegetables are made of DESLIDUR.

Its special properties, particularly the fact that it does not stick and is so easy to clean, mean that it is also used in the pasta, confectionery and sugar industries for items such as scrapers, moulds, bearing sleeves, worms, sliding strips, table veneers, hopper coatings, inclined planes, hoppers feeders and storage containers in general.

Mining. Mechanical maintenance and bulk storage

Hoppers, inclined planes, guides, feeder hoppers and other devices as well as mechanical maintenance equipment, interior transport and bulk storage containers can all profitably be coated with DESLIDUR. Its high abrasion resistance and its optimum sliding properties allow the use of slight inclination angles. It will prevent bulk materials from sticking whether they are dry, wet, pasty or sticky and will prevent input holdups due to bottlenecks, freezing, compacting or unscrambling.

Open lorries, self-unloading wagons and other means of transport are also best coated with DESLIDUR.



The textile industry

Pickers made of DESLIDUR are able to withstand up to 100 million impacts without breaking. Other parts for which the properties of DESLIDUR are particularly suited include leather ejection collars, cogwheels, shock absorbers and picker protection belts.

The chemical industry

DESLIDUR's exceptional resistance to chemicals and stress-corrosion cracking make it the ideal material for a wide range of applications. It is not attacked by aqueous solutions of acids, alkalis, salts or the majority of solvents and is only vulnerable to aromatic and halogenized hydrocarbons at very high temperatures. At most, oil, grease and wax may produce a very slight swelling.

Machinery and appliance construction

DESLIDUR materials offer constructor new possibilities in a whole array of different areas. These special features include high wear resistance, good abrasion performance, excellent sliding properties, maximum impact and bending strength and resistance to corrosion by chemical products and the weather. In addition to all this, these materials are fracture and cold resistant, vibration absorbent, self-lubricating, free from swelling, waterproof, humidity repellent, harmless, odourless and tasteless.

Application examples

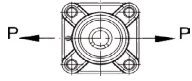
Sliding. Guides strips and belts. Guide Blocks and inserts. Rollers, cable sheaves, cable return pulleys. Gears. Bearing sleeves and bushes. Underwater bearings. Conveyor chain stars. Sprocket replacements, coupling discs, roller guides, drive sprockets, drawing machine chute coatings, etc. in the engineering industry. Carrier plates, door rollers, edge protectors, etc. in ship-building and the aeronautical industry. Sliding guides, feet bosses, chain guide strips, etc., for escalators and lifts. Cable pulleys and cable reversing disc for cable cars. Sliding supports, strips and blocks, impact plates, carrier blocks for bale conveyors, etc. in agricultural machinery construction. Door locks and guides in railway carriage construction. In certain applications it is important to bear in mind the limitations due to cold flow (deriving from the material's viscous-elastic behaviour), thermal expansion and heat resistance.

CHEMICAL SUBSTANCE Temperatures up to 65°C	Polyamide	Steel	AISI SS304	AISI SS430	ACETAL	UHMW-PE "Deslidur"
Acetone	B	NS	B	B	B	B
Acetic acid (max. 5%)	NS	NS	B	NS	NS	B
Citric acid	AV	NS	B	AV	AV	B
Formic acid	NS	B	B	B	B	B
Phosphoric acid (max. 10%)	NS	NS	B	NS	NS	B
Hydrochloric acid (max.2%)	NS	NS	NS	NS	NS	AV
Lactic acid	B	NS	B	NS	B	B
Nitric acid	NS	NS	B	AV	NS	AV
Sulphide acid	NS	NS	NS	NS	NS	NS
Oil (vegetable or mineral)	B	B	B	B	B	B
Soap and water	B	AV	B	B	B	B
Fresh water	B	NS	B	B	B	B
Sea Water	NS	AV	B	AV	B	B
Alcohol	B	B	B	B	B	B
Ammonia	B	AV	B	B	NS	B
Soft drinks	B	B	B	B	B	B
Spirits	B	B	B	B	B	B
Benzene	B	B	B	B	B	AV
Benzol	B	B	B	B	B	B
Beer	B	B	B	B	B	B
Chocolat	AV	B	B	B	AV	AV
Sodium hydrochloride	B	NS	AV	NS	B	B
Petrol	B	B	B	B	B	AV
Sodium hydroxide (max. 25%)	B	NS	B	B	NS	B
Sodium hypochlorite	B	NS	NS	NS	NS	B
Fruit juices	B	NS	B	AV	B	B
Vegetable juices	B	AV	B	B	B	B
Milk	B	B	B	B	B	B
Mustard	AV	B	B	B	AV	AV
Paraffin	B	B	B	B	B	B
Hydrogen peroxide	NS	NS	B	AV	NS	AV
Carbon tetrachloride	B	AV	AV	AV	B	AV
Toluene	NS	NS	NS	NS	B	AV
Turpentine	NS	B	B	B	NS	AV
Vinegar	B	NS	AV	NS	B	B
Wine	B	B	B	B	B	B
Whisky	B	B	B	B	B	B
Iodine	NS	AV	AV	AV	AV	AV
Xilol	NS	NS	NS	NS	NS	NS

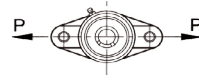
B Good | AV Average | NS Unsatisfactory | This information may be considered as a basis for recommendation, but not as a guarantee.
Materials and products should be tested under exact intended service conditions to determine their suitability for a particular purpose

Type UCF					
Mode of Load	Breaking Point Test				
	Ø20	Ø25	Ø30	Ø35	Ø40

Type UCL-UFL					
Mode of Load	Breaking Point Test				
	Ø20	Ø25	Ø30	Ø35	Ø40



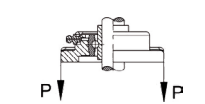
15950 13000 18000 18500 19100



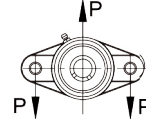
11750 11375 16450 16900 17350

Mode of Load	Breaking Point Test				
	Ø20	Ø25	Ø30	Ø35	Ø40
	10250	12150	17700	18500	19250

Mode of Load	Breaking Point Test				
	Ø20	Ø25	Ø30	Ø35	Ø40
	11000	13850	13350	13950	14050



3650 3350 3350 3520 3790



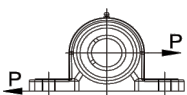
8500 11100 14200 14900 15150

Informations Values in Newtons | Under request
Bearing with excentric ring | Stainless steel

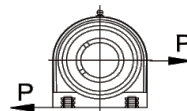
Informations Values in Newtons | Under request
Bearing with excentric ring | Stainless steel

Type UCP					
Mode of Load	Breaking Point Test				
	Ø20	Ø25	Ø30	Ø35	Ø40

Type UCPA					
Mode of Load	Breaking Point Test				
	Ø20	Ø25	Ø30	Ø35	Ø40



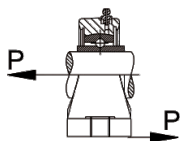
8800 11375 16450 16900 17350



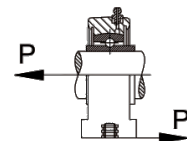
8210 8540 10370 12150 12230

Mode of Load	Breaking Point Test				
	Ø20	Ø25	Ø30	Ø35	Ø40
	7700	13850	13350	13950	14050

Mode of Load	Breaking Point Test				
	Ø20	Ø25	Ø30	Ø35	Ø40
	6900	7010	6580	8080	9100



500 11100 14200 14900 15150



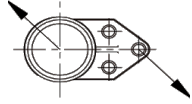
2980 2850 4950 8160 9100

Informations Values in Newtons | Under request
Bearing with excentric ring | Stainless steel

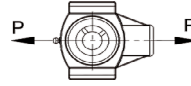
Informations Values in Newtons | Under request
Bearing with excentric ring | Stainless steel

Type SQL				
Mode of Load	Breaking Point Test			
	Ø20	Ø25	Ø30	Ø35

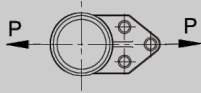
Type UCHP-UCH					
Mode of Load	Breaking Point Test				
	Ø20	Ø25	Ø30	Ø35	Ø40



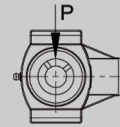
7200 9100 12200 12900



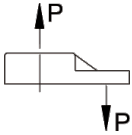
14800 15500 15800 16500 17300



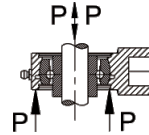
9200 11100 11800 11900



3930 4530 5100 6500 7800



2600 2800 2900 3100

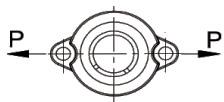


8500 10350 10900 11300 12150

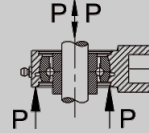
*Informations Values in Newtons | Under request
Bearing with excentric ring | Stainless steel*

Type ULF-M				
Mode of Load	Breaking Point Test			
	Ø20	Ø25	Ø30	Ø35

Type ULF-M					
Mode of Load	Breaking Point Test				
	Ø20	Ø25	Ø30	Ø35	Ø40

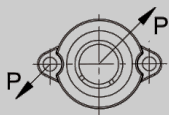


8400 8800 11500 1800

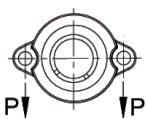


40770 45300 46100 44100 42800

*Informations Values in Newtons | Under request
Bearing with excentric ring | Stainless steel*



8500 9200 10900 11600



6300 8600 10300 10500

*Informations Values in Newtons | Under request
Bearing with excentric ring | Stainless steel*

Support bearings application examples

OUR THERMOPLASTIC BEARING HOUSINGS

Are made of a high special PP grade and are completely compatible with standard cast iron housings.

Our housings do not need maintenance. They have an excellent mechanical resistance, hardness, and dimensional stability as they can never become rust.

OUR THERMOPLASTIC HOUSINGS

Include a solid insert which is increasing its resistance and standardize them with the stainless steel inserts, reaching a higher resistance.

Units are available with optional covers, seals and solid base to add more protection and avoiding contamination obstructing.

You can be sure that our housings resist the hardest applications. These housings are designed to work under extremely severe humidity conditions, and temperatures from 35°C to +102°C. They've a high coefficient of breaking resistance (ASTM 0630) and unsurpassable 17,300 PSI.

HIGHER PRESSURE CAPACITY THAN ANY OTHER BEARING HOUSINGS!

Our resistance coefficient to pressure is a 25% higher than any other bearings. This capacity to carry a bigger load comes up with a longer life expectation for the bearing. As a result, you benefit from a high capacity and with the benefit of a longer life for the bearing.

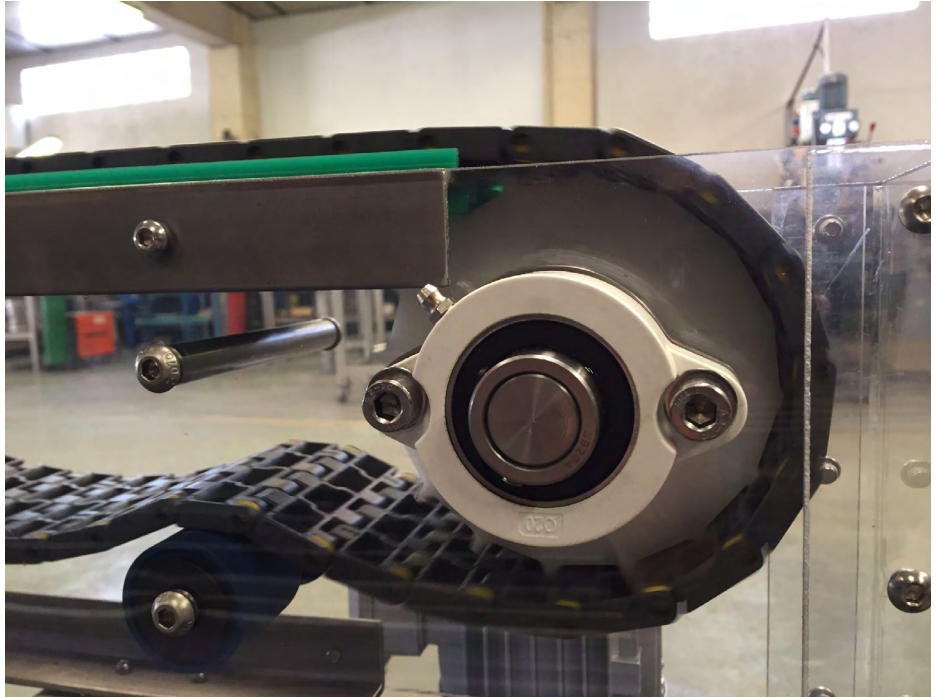
SOLID BOTTOM

Its solid base avoids pollution to enter into the bottom of the housing.

There's no way for dirtiness, rust or germs to accumulate, as its surface is plain.

FROM 20 mm to 40 mm

All our housings are available indifferent diameters from 20 mm to 40 mm.



THE SOLID INSERTS AT OUR THERMOPLASTIC HOUSINGS ARE UNEQUALLED!

Our insert in one piece is made of stainless steel has reinforced the tension points and is designed for an optimal resistance to corrosion.

We are giving solutions to food and beverage applications, and also to all those applications submerged with composed housings, assembled and linked, whose result is an improvement at a competitive level.

This is the reason why our housings are designed to cover all your important engineering requirements for

- Frequent immersions
- Rust resistance
- Food and contaminant liquids resistance
- Exposure to rough chemical components
- Exposure to a high level of humidity
- Built-in greaser

And with our housings you have the possibility to choose the most adequate combination to your working needs.

SOLID BASE!

Look and check the quality difference. The solid interior of our thermoplastic pieces avoids breaking when cleaning by steam or pressure washings.

SOLID STAINLESS STEEL BUSHINGS WITHOUT WASHERS!

Just compare our solid and massive stainless steel bushing mounted on thermoplastic housings that reinforce the tension points and are designed to improve the units with visible gaskets offering a small protection against corrosion.

Abbreviation	Meaning	Abbreviation	Meaning
Ref	Reference	P	Pitch
DE	Outside diameter	Ri	Back bend radius
DF	Pilot Bore	RM	Min. curve radius
DP	Primitive diameter	Rd	Running direction
in	Inches	S	Steel
K	Plate width	SS	Stainless Steel.
Kg/m	Kilograms per meter	STD	Standard
Kg	Kilograms per unit	DS	DRYSLIDE
mm	Millimeter	WR	Wear Resistance
MTO	Made to order	Z	Number of teeth



Discover Your Local Contacts

The local partner of choice
for sustainable conveyor belting solutions
- around the globe.



General contact information:

Ammeraal Beltech
P.O. Box 38
1700 AA Heerhugowaard
The Netherlands

T +31 72 575 1212

www.ammeraalbeltech.com



Scan the QR code
and find your local
contact



Scan the QR code
and download the
latest catalog

